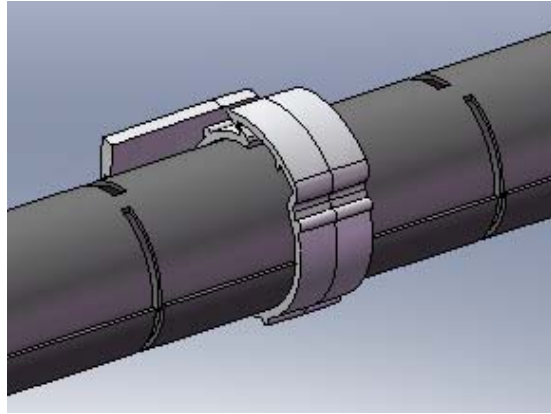


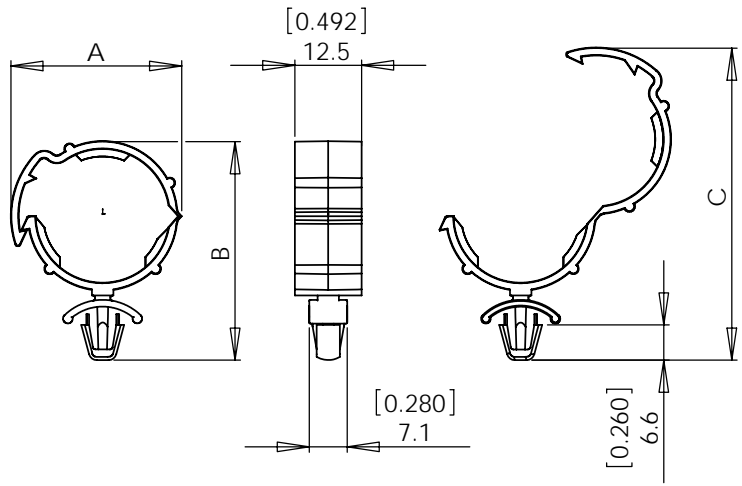
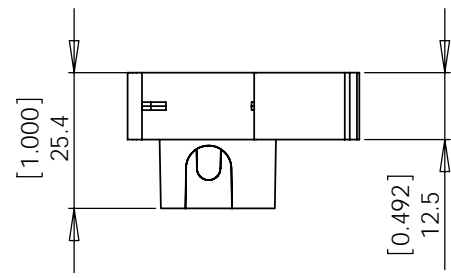
REV	MODIFICATION	DATE	DRN
01	SALES DRAWING	31/05/07	I.C
02	ECN07-179	08/10/07	I.C
03	C.O. 2010075	28/02/08	I.C
04	C.O. 2010214	08/05/08	S.F
05	C.O. 2010227	13/05/08	S.F
06	C.O. 2010266	25/06/08	I.C



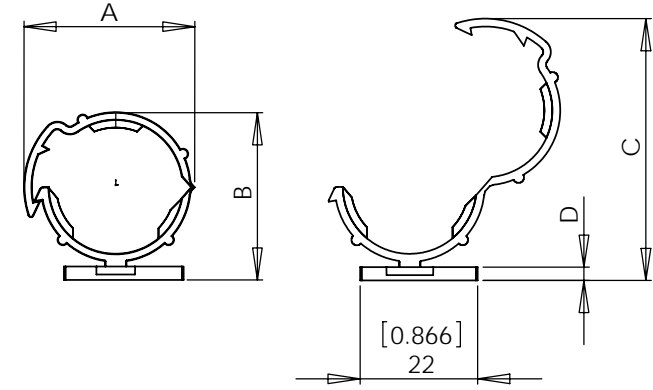
TO HOLD SHR-20 & SHR-25
SLIT HARNESS WRAP

RECOMMENDED ORIENTATION OF CLIP
WHEN MOUNTED HORIZONTALLY

OTHER COLOURS ARE AVAILABLE
BY SPECIAL ORDER



SHR-C1



SHR-C2 / SHR-C3

PART No.	A	B	C	D	MOUNTING	COLOUR
SHR-C1	29 REF [1.14]	42.5 REF [1.67]	58 REF [2.28]	-	SNAP LOCK INTO A $\varnothing 6.4 \pm 0.05$ HOLE [0.252 ± 0.002] PANEL THICKNESS 0.8 - 2mm [0.031 - 0.079]	BLACK
SHR-C1-SV						SILVER
SHR-C2	30 REF [1.18]	32.5 REF [1.28]	47 REF [1.85]	2.5 [0.10]	MOUNT WITH #8 OR M4 SCREW	BLACK
SHR-C2-SV						SILVER
SHR-C3	30 REF [1.18]	32.5 REF [1.28]	47 REF [1.85]	2.5 [0.10]	0.8 THICK DOUBLE SIDED TAPE (RMS-375)	BLACK
SHR-C3-SV						SILVER

INFORMATION CONTAINED IN THIS DOCUMENT IS CONFIDENTIAL TO RICHCO INTERNATIONAL Co. Ltd. AND MAY NOT BE DISCLOSED OR REPRODUCED IN WHOLE OR PART WITHOUT THEIR WRITTEN CONSENT.

Richco ALL DIMENSIONS ARE IN mm
GENERAL TOLERANCES ± 0.25
1 DECIMAL PLACE \pm
2 DECIMAL PLACES \pm
ANGULAR $\pm 1^\circ$

MATERIAL: NYLON 6/6 UL 94 V-2 (RMS-01) COLOUR: SEE TABLE

DESCRIPTION: SLIT HARNESS WRAP CLIP PART No: SHR-CX

DRG No: 2007-046 NPR No: 2006-199 MASS: 3.5g SHEET SIZE: A3

DRN: I.C DATE: 11/06/07 CHKD: SF DATE: 27/09/07 SCALE: 1:1 SHEET No: 1 OF 1