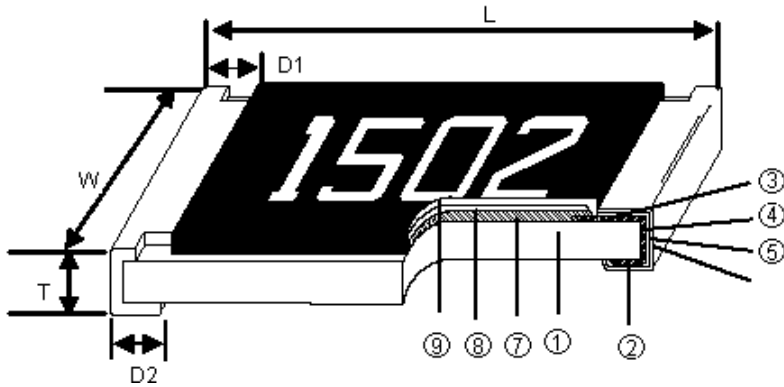


Thick Film Chip Resistor



Construction



Features:

- Small size and light weight.
- Highly reliable multilayer electrode construction.
- Compatible with all soldering process.
- Function code: Standard and high precision.
- Packaging code: 7" reel 10Kpcs.

1	Alumina Substrate
2	Bottom Electrode (Ag)
3	Top Electrode (Ag-Pd)
4	Edge Electrode (NiCr)
5	Barrier Layer (Ni)
6	External Electrode (Sn)
7	Resistor Layer (RuO_2/Ag)
8	Primary Overcoat (Glass)
9	Secondary Overcoat (Epoxy)

Applications:

Telecommunication equipments.
 Radio and tape recorders, TV tuners.
 Video cameras, watches, pocket calculators.
 Automotive industry.
 Computers, instruments.
 Medical and military equipment.

Dimensions

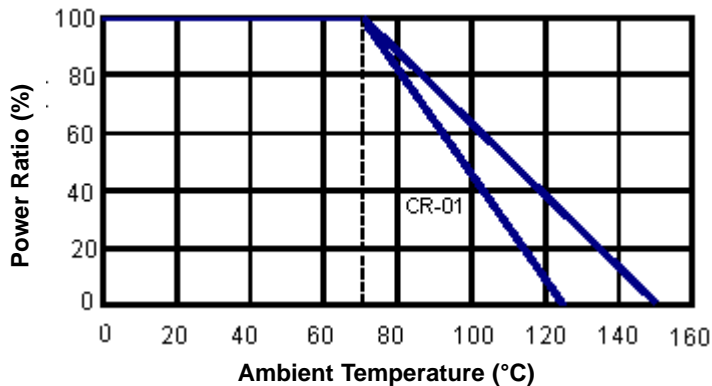
Type	L	W	T	D1	D2	Weight (g) (1000 pcs)
0201	0.60 ± 0.03	0.3 ± 0.03	0.23 ± 0.03	0.15 ± 0.05	0.15 ± 0.05	0.150

Unit: mm

Thick Film Chip Resistor



Derating Curve



Standard Electrical Specifications

Item Type	Power Rating at 70°C Jumper Rated Current	Operating Temperature Range	Maximum Operating Voltage	Maximum Overload Voltage	Resistance Range		TCR (PPM/°C)
					±1%	±5%	
0201	1/20W	-55 to +125°C	25V	50V	1Ω to 10MΩ		±200
Jumper	1A				0Ω (<50mΩ)		-

Environmental Characteristics

Item	Requirements			Test Method
	±1% and Below	±5%	Jumper	
Temperature Coefficient of Resistance (TCR.)	As Specification			-55°C to +125°C, 25° is the reference temperature
Short Time Overload	±(1.0% + 0.05Ω)	±(2.0% + 0.05Ω)	<50mΩ	RCWV* 2.5 or Maximum overload voltage for 5 seconds, 2 seconds for high power series
Insulation Resistance	≥10G			Maximum overload voltage for 1 minute
Endurance	±(2.0% + 0.10Ω)	±(3.0% + 0.10Ω)	<100mΩ	70 ±2°C, Maximum working voltage for 1000 hours with 1.5 hours "ON" and 0.5 hours "OFF"
Damp Heat with Load				40 ±2°C, 90 to 95% R.H. Maximum working voltage for 1000 hours with 1.5 hours "ON" and 0.5 hours "OFF"

Thick Film Chip Resistor

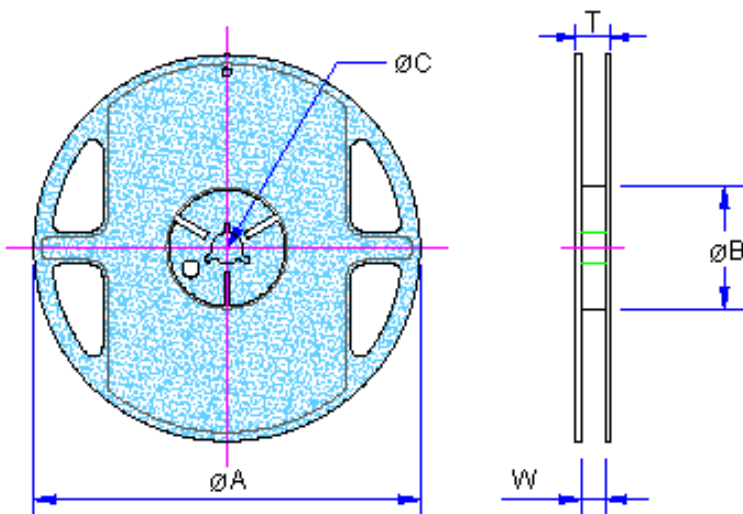


Environmental Characteristics

Item	Requirements			Test Method
	±1% and Below	±5%	Jumper	
Dry Heat		$\pm(1.5\% + 0.10\Omega)$		at +125/+155°C for 1000 hrs
Bending Strength	$\pm(1.0\% + 0.05\Omega)$	$\pm(1.0\% + 0.05\Omega)$	<50mΩ	Bending once for 5 seconds 2010, 2512 sizes: 2mm Other sizes: 3mm
Solderability	95% minimum coverage			245 ±5°C for 3 seconds
Resistance to Soldering Heat	$\pm(0.5\% + 0.05\Omega)$	$\pm(1.0\% + 0.05\Omega)$	<50mΩ	260 ±5°C for 10 seconds
Voltage Proof	No breakdown or flashover			1.42 times RCWV (RMS) for 1 minute
Leaching	Individual leaching area ≤5% Total leaching area ≤10%			260 ±5°C for 30 seconds
Rapid Change of Temperature	$\pm(0.5\% + 0.05\Omega)$	$\pm(1.0\% + 0.05\Omega)$	<50mΩ	-55°C to +125/+155°C, 5 cycles

Reference Standards: IEC 60115-1, 60068-2-58; JIS-C 5201-1

Storage Temperature: 25 ±3°C; Humidity <80%RH



Thick Film Chip Resistor

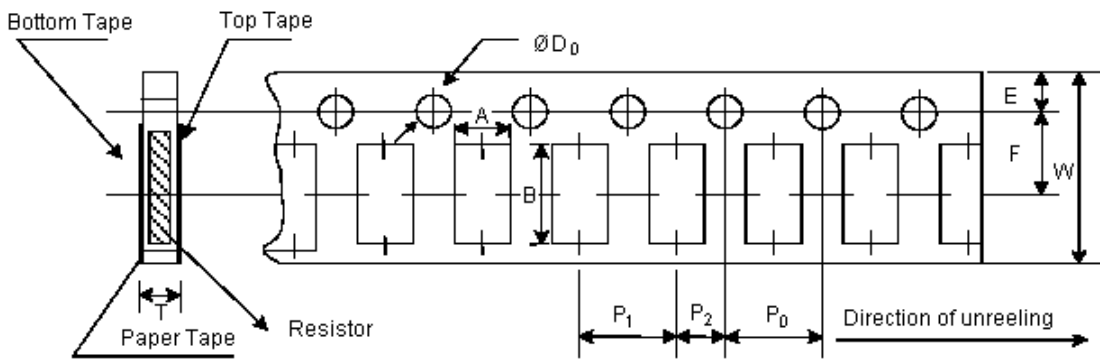


Packaging

Reel Specifications and Packaging Quantity

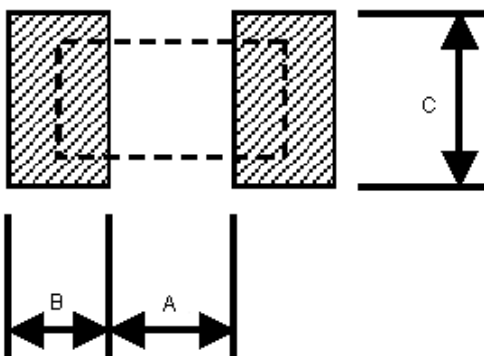
Type	Packaging Quantity		Tape Width (mm)	Reel Diameter (Inch)	ØA	ØB	ØC	W	T
0201	Paper	15K	8	7	178.5 ±1.5	60 + 1/-0	13.0 ±0.2	9.0 ±0.5	12.5 ±0.5
	Paper	10K							
		20K							
		40K							

Paper Tape Specifications



Type	A	B	W	E	F	P ₀	P ₁	P ₂	ØD ₀	T
0201	0.38 ±0.05	0.68 ±0.05	8.0 ±0.20	1.75 ±0.10	3.50 ±0.05	4.00 ±0.10	2.00 ±0.05	2.00 ±0.05	1.50 ±0.1,-0	0.42 ±0.20

Recommend Land Pattern



Type	A	B	C
0201	0.30	0.25	0.30

Thick Film Chip Resistor



Part Number Table

Description	Resistance Tolerance	Resistance	Part Number
Resistor, 0201, 1%, 10R	±1%	10Ω	MC0201L6F10R0SE
Resistor, 0201, 1%, 10R2		10.2Ω	MC0201L6F10R2SE
Resistor, 0201, 1%, 10R5		10.5Ω	MC0201L6F10R5SE
Resistor, 0201, 1%, 10R7		10.7Ω	MC0201L6F10R7SE
Resistor, 0201, 1%, 11R3		11.3Ω	MC0201L6F11R3SE
Resistor, 0201, 1%, 11R5		11.5Ω	MC0201L6F11R5SE
Resistor, 0201, 1%, 11R8		11.8Ω	MC0201L6F11R8SE
Resistor, 0201, 1%, 12R1		12.1Ω	MC0201L6F12R1SE
Resistor, 0201, 1%, 12R4		12.4Ω	MC0201L6F12R4SE
Resistor, 0201, 1%, 12R7		12.7Ω	MC0201L6F12R7SE
Resistor, 0201, 1%, 13R3		13.3Ω	MC0201L6F13R3SE
Resistor, 0201, 1%, 13R7		13.7Ω	MC0201L6F13R7SE
Resistor, 0201, 1%, 14R		14Ω	MC0201L6F14R0SE
Resistor, 0201, 1%, 14R3		14.3Ω	MC0201L6F14R3SE
Resistor, 0201, 1%, 14R7		14.7Ω	MC0201L6F14R7SE
Resistor, 0201, 1%, 15R4		15.4Ω	MC0201L6F15R4SE
Resistor, 0201, 1%, 15R8		15.8Ω	MC0201L6F15R8SE
Resistor, 0201, 1%, 16R2		16.2Ω	MC0201L6F16R2SE
Resistor, 0201, 1%, 16R5		16.5Ω	MC0201L6F16R5SE
Resistor, 0201, 1%, 16R9		16.9Ω	MC0201L6F16R9SE
Resistor, 0201, 1%, 17R4		17.4Ω	MC0201L6F17R4SE
Resistor, 0201, 1%, 17R8		17.8Ω	MC0201L6F17R8SE
Resistor, 0201, 1%, 18R2		18.2Ω	MC0201L6F18R2SE
Resistor, 0201, 1%, 18R7		18.7Ω	MC0201L6F18R7SE
Resistor, 0201, 1%, 19R1		19.1Ω	MC0201L6F19R1SE
Resistor, 0201, 1%, 19R6		19.6Ω	MC0201L6F19R6SE
Resistor, 0201, 1%, 20R5		20.5Ω	MC0201L6F20R5SE
Resistor, 0201, 1%, 21R		21Ω	MC0201L6F21R0SE
Resistor, 0201, 1%, 21R5		21.5Ω	MC0201L6F21R5SE
Resistor, 0201, 1%, 22R1		22.1Ω	MC0201L6F22R1SE
Resistor, 0201, 1%, 22R6		22.6Ω	MC0201L6F22R6SE
Resistor, 0201, 1%, 23R2		23.2Ω	MC0201L6F23R2SE
Resistor, 0201, 1%, 23R7		23.7Ω	MC0201L6F23R7SE

Thick Film Chip Resistor



Part Number Table

Description	Resistance Tolerance	Resistance	Part Number
Resistor, 0201, 1%, 24R3	±1%	24.3Ω	MC0201L6F24R3SE
Resistor, 0201, 1%, 24R9		24.9Ω	MC0201L6F24R9SE
Resistor, 0201, 1%, 25R5		25.5Ω	MC0201L6F25R5SE
Resistor, 0201, 1%, 26R1		26.1Ω	MC0201L6F26R1SE
Resistor, 0201, 1%, 26R7		26.7Ω	MC0201L6F26R7SE
Resistor, 0201, 1%, 27R4		27.4Ω	MC0201L6F27R4SE
Resistor, 0201, 1%, 28R		28Ω	MC0201L6F28R0SE
Resistor, 0201, 1%, 28R7		28.7Ω	MC0201L6F28R7SE
Resistor, 0201, 1%, 29R4		29.4Ω	MC0201L6F29R4SE
Resistor, 0201, 1%, 30R1		30.1Ω	MC0201L6F30R1SE
Resistor, 0201, 1%, 30R9		30.9Ω	MC0201L6F30R9SE
Resistor, 0201, 1%, 31R6		31.6Ω	MC0201L6F31R6SE
Resistor, 0201, 1%, 32R4		32.4Ω	MC0201L6F32R4SE
Resistor, 0201, 1%, 34R		34Ω	MC0201L6F34R0SE
Resistor, 0201, 1%, 34R8		34.8Ω	MC0201L6F34R8SE
Resistor, 0201, 1%, 36R5		36.5Ω	MC0201L6F36R5SE
Resistor, 0201, 1%, 37R4		37.4Ω	MC0201L6F37R4SE
Resistor, 0201, 1%, 38R3		38.3Ω	MC0201L6F38R3SE
Resistor, 0201, 1%, 39R2		39.2Ω	MC0201L6F39R2SE
Resistor, 0201, 1%, 40R2		40.2Ω	MC0201L6F40R2SE
Resistor, 0201, 1%, 41R2		41.2Ω	MC0201L6F41R2SE
Resistor, 0201, 1%, 42R2		42.2Ω	MC0201L6F42R2SE
Resistor, 0201, 1%, 43R2		43.2Ω	MC0201L6F43R2SE
Resistor, 0201, 1%, 44R2		44.2Ω	MC0201L6F44R2SE
Resistor, 0201, 1%, 45R3		45.3Ω	MC0201L6F45R3SE
Resistor, 0201, 1%, 46R4		46.4Ω	MC0201L6F46R4SE
Resistor, 0201, 1%, 47R5		47.5Ω	MC0201L6F47R5SE
Resistor, 0201, 1%, 48R7		48.7Ω	MC0201L6F48R7SE
Resistor, 0201, 1%, 49R9		49.9Ω	MC0201L6F49R9SE
Resistor, 0201, 1%, 51R1		51.1Ω	MC0201L6F51R1SE
Resistor, 0201, 1%, 52R3		52.3Ω	MC0201L6F52R3SE
Resistor, 0201, 1%, 53R6		53.6Ω	MC0201L6F53R6SE
Resistor, 0201, 1%, 54R9		54.9Ω	MC0201L6F54R9SE

Thick Film Chip Resistor



Part Number Table

Description	Resistance Tolerance	Resistance	Part Number
Resistor, 0201, 1%, 56R2	±1%	56.2Ω	MC0201L6F56R2SE
Resistor, 0201, 1%, 57R6		57.6Ω	MC0201L6F57R6SE
Resistor, 0201, 1%, 59R		59Ω	MC0201L6F59R0SE
Resistor, 0201, 1%, 60R4		60.4Ω	MC0201L6F60R4SE
Resistor, 0201, 1%, 61R9		61.9Ω	MC0201L6F61R9SE
Resistor, 0201, 1%, 63R4		63.4Ω	MC0201L6F63R4SE
Resistor, 0201, 1%, 64R9		64.9Ω	MC0201L6F64R9SE
Resistor, 0201, 1%, 66R5		66.5Ω	MC0201L6F66R5SE
Resistor, 0201, 1%, 68R1		68.1Ω	MC0201L6F68R1SE
Resistor, 0201, 1%, 69R8		69.8Ω	MC0201L6F69R8SE
Resistor, 0201, 1%, 71R5		71.5Ω	MC0201L6F71R5SE
Resistor, 0201, 1%, 73R2		73.2Ω	MC0201L6F73R2SE
Resistor, 0201, 1%, 76R8		76.8Ω	MC0201L6F76R8SE
Resistor, 0201, 1%, 78R7		78.7Ω	MC0201L6F78R7SE
Resistor, 0201, 1%, 80R6		80.6Ω	MC0201L6F80R6SE
Resistor, 0201, 1%, 82R5		82.5Ω	MC0201L6F82R5SE
Resistor, 0201, 1%, 84R5		84.5Ω	MC0201L6F84R5SE
Resistor, 0201, 1%, 86R6		86.6Ω	MC0201L6F86R6SE
Resistor, 0201, 1%, 88R7		88.7Ω	MC0201L6F88R7SE
Resistor, 0201, 1%, 90R9		90.9Ω	MC0201L6F90R9SE
Resistor, 0201, 1%, 93R1		93.1Ω	MC0201L6F93R1SE
Resistor, 0201, 1%, 95R3		95.3Ω	MC0201L6F95R3SE
Resistor, 0201, 1%, 97R6		97.6Ω	MC0201L6F97R6SE
Resistor, 0201, 1%, 102R		102Ω	MC0201L6F1020SE
Resistor, 0201, 1%, 105R		105Ω	MC0201L6F1050SE
Resistor, 0201, 1%, 107R		107Ω	MC0201L6F1070SE
Resistor, 0201, 1%, 113R		113Ω	MC0201L6F1130SE
Resistor, 0201, 1%, 115R		115Ω	MC0201L6F1150SE
Resistor, 0201, 1%, 118R		118Ω	MC0201L6F1180SE
Resistor, 0201, 1%, 121R		121Ω	MC0201L6F1210SE
Resistor, 0201, 1%, 124R		124Ω	MC0201L6F1240SE
Resistor, 0201, 1%, 127R		127Ω	MC0201L6F1270SE
Resistor, 0201, 1%, 133R		133Ω	MC0201L6F1330SE
Resistor, 0201, 1%, 137R	137Ω	MC0201L6F1370SE	

Thick Film Chip Resistor



Part Number Table

Description	Resistance Tolerance	Resistance	Part Number
Resistor, 0201, 1%, 140R	±1%	140Ω	MC0201L6F1400SE
Resistor, 0201, 1%, 143R		143Ω	MC0201L6F1430SE
Resistor, 0201, 1%, 147R		147Ω	MC0201L6F1470SE
Resistor, 0201, 1%, 154R		154Ω	MC0201L6F1540SE
Resistor, 0201, 1%, 158R		158Ω	MC0201L6F1580SE
Resistor, 0201, 1%, 162R		162Ω	MC0201L6F1620SE
Resistor, 0201, 1%, 165R		165Ω	MC0201L6F1650SE
Resistor, 0201, 1%, 169R		169Ω	MC0201L6F1690SE
Resistor, 0201, 1%, 174R		174Ω	MC0201L6F1740SE
Resistor, 0201, 1%, 178R		178Ω	MC0201L6F1780SE
Resistor, 0201, 1%, 182R		182Ω	MC0201L6F1820SE
Resistor, 0201, 1%, 187R		187Ω	MC0201L6F1870SE
Resistor, 0201, 1%, 191R		191Ω	MC0201L6F1910SE
Resistor, 0201, 1%, 196R		196Ω	MC0201L6F1960SE
Resistor, 0201, 1%, 205R		205Ω	MC0201L6F2050SE
Resistor, 0201, 1%, 210R		210Ω	MC0201L6F2100SE
Resistor, 0201, 1%, 215R		215Ω	MC0201L6F2150SE
Resistor, 0201, 1%, 221R		221Ω	MC0201L6F2210SE
Resistor, 0201, 1%, 226R		226Ω	MC0201L6F2260SE
Resistor, 0201, 1%, 232R		232Ω	MC0201L6F2320SE
Resistor, 0201, 1%, 237R		237Ω	MC0201L6F2370SE
Resistor, 0201, 1%, 243R		243Ω	MC0201L6F2430SE
Resistor, 0201, 1%, 249R		249Ω	MC0201L6F2490SE
Resistor, 0201, 1%, 255R		255Ω	MC0201L6F2550SE
Resistor, 0201, 1%, 261R		261Ω	MC0201L6F2610SE
Resistor, 0201, 1%, 267R		267Ω	MC0201L6F2670SE
Resistor, 0201, 1%, 274R		274Ω	MC0201L6F2740SE
Resistor, 0201, 1%, 280R		280Ω	MC0201L6F2800SE
Resistor, 0201, 1%, 287R		287Ω	MC0201L6F2870SE
Resistor, 0201, 1%, 294R		294Ω	MC0201L6F2940SE
Resistor, 0201, 1%, 301R		301Ω	MC0201L6F3010SE
Resistor, 0201, 1%, 309R		309Ω	MC0201L6F3090SE
Resistor, 0201, 1%, 316R	316Ω	MC0201L6F3160SE	
Resistor, 0201, 1%, 324R	324Ω	MC0201L6F3240SE	

Thick Film Chip Resistor



Part Number Table

Description	Resistance Tolerance	Resistance	Part Number
Resistor, 0201, 1%, 332R	±1%	332Ω	MC0201L6F3320SE
Resistor, 0201, 1%, 340R		340Ω	MC0201L6F3400SE
Resistor, 0201, 1%, 348R		348Ω	MC0201L6F3480SE
Resistor, 0201, 1%, 357R		357Ω	MC0201L6F3570SE
Resistor, 0201, 1%, 365R		365Ω	MC0201L6F3650SE
Resistor, 0201, 1%, 374R		374Ω	MC0201L6F3740SE
Resistor, 0201, 1%, 383R		383Ω	MC0201L6F3830SE
Resistor, 0201, 1%, 392R		392Ω	MC0201L6F3920SE
Resistor, 0201, 1%, 402R		402Ω	MC0201L6F4020SE
Resistor, 0201, 1%, 412R		412Ω	MC0201L6F4120SE
Resistor, 0201, 1%, 422R		422Ω	MC0201L6F4220SE
Resistor, 0201, 1%, 432R		432Ω	MC0201L6F4320SE
Resistor, 0201, 1%, 442R		442Ω	MC0201L6F4420SE
Resistor, 0201, 1%, 453R		453Ω	MC0201L6F4530SE
Resistor, 0201, 1%, 464R		464Ω	MC0201L6F4640SE
Resistor, 0201, 1%, 475R		475Ω	MC0201L6F4750SE
Resistor, 0201, 1%, 487R		487Ω	MC0201L6F4870SE
Resistor, 0201, 1%, 499R		499Ω	MC0201L6F4990SE
Resistor, 0201, 1%, 511R		511Ω	MC0201L6F5110SE
Resistor, 0201, 1%, 523R		523Ω	MC0201L6F5230SE
Resistor, 0201, 1%, 536R		536Ω	MC0201L6F5360SE
Resistor, 0201, 1%, 549R		549Ω	MC0201L6F5490SE
Resistor, 0201, 1%, 562R		562Ω	MC0201L6F5620SE
Resistor, 0201, 1%, 576R		576Ω	MC0201L6F5760SE
Resistor, 0201, 1%, 590R		590Ω	MC0201L6F5900SE
Resistor, 0201, 1%, 604R		604Ω	MC0201L6F6040SE
Resistor, 0201, 1%, 619R		619Ω	MC0201L6F6190SE
Resistor, 0201, 1%, 634R		634Ω	MC0201L6F6340SE
Resistor, 0201, 1%, 649R		649Ω	MC0201L6F6490SE
Resistor, 0201, 1%, 665R		665Ω	MC0201L6F6650SE
Resistor, 0201, 1%, 681R		681Ω	MC0201L6F6810SE
Resistor, 0201, 1%, 698R		698Ω	MC0201L6F6980SE
Resistor, 0201, 1%, 715R		715Ω	MC0201L6F7150SE
Resistor, 0201, 1%, 732R	732Ω	MC0201L6F7320SE	

Thick Film Chip Resistor



Part Number Table

Description	Resistance Tolerance	Resistance	Part Number
Resistor, 0201, 1%, 768R	±1%	768Ω	MC0201L6F7680SE
Resistor, 0201, 1%, 787R		787Ω	MC0201L6F7870SE
Resistor, 0201, 1%, 806R		806Ω	MC0201L6F8060SE
Resistor, 0201, 1%, 825R		825Ω	MC0201L6F8250SE
Resistor, 0201, 1%, 845R		845Ω	MC0201L6F8450SE
Resistor, 0201, 1%, 866R		866Ω	MC0201L6F8660SE
Resistor, 0201, 1%, 887R		887Ω	MC0201L6F8870SE
Resistor, 0201, 1%, 909R		909Ω	MC0201L6F9090SE
Resistor, 0201, 1%, 931R		931Ω	MC0201L6F9310SE
Resistor, 0201, 1%, 953R		953Ω	MC0201L6F9530SE
Resistor, 0201, 1%, 976R		976Ω	MC0201L6F9760SE
Resistor, 0201, 1%, 1K02		1.02KΩ	MC0201L6F1021SE
Resistor, 0201, 1%, 1K05		1.05KΩ	MC0201L6F1051SE
Resistor, 0201, 1%, 1K07		1.07KΩ	MC0201L6F1071SE
Resistor, 0201, 1%, 1K74		1.74KΩ	MC0201L6F1741SE
Resistor, 0201, 1%, 1K78		1.78KΩ	MC0201L6F1781SE
Resistor, 0201, 1%, 1K82		1.82KΩ	MC0201L6F1821SE
Resistor, 0201, 1%, 1K87		1.87KΩ	MC0201L6F1871SE
Resistor, 0201, 1%, 1K91		1.91KΩ	MC0201L6F1911SE
Resistor, 0201, 1%, 1K96		1.96KΩ	MC0201L6F1961SE
Resistor, 0201, 1%, 2K05		2.05KΩ	MC0201L6F2051SE
Resistor, 0201, 1%, 2K1		2.1KΩ	MC0201L6F2101SE
Resistor, 0201, 1%, 2K15		2.15KΩ	MC0201L6F2151SE
Resistor, 0201, 1%, 2K21		2.21KΩ	MC0201L6F2211SE
Resistor, 0201, 1%, 2K26		2.26KΩ	MC0201L6F2261SE
Resistor, 0201, 1%, 2K32		2.32KΩ	MC0201L6F2321SE
Resistor, 0201, 1%, 2K37		2.37KΩ	MC0201L6F2371SE
Resistor, 0201, 1%, 2K43		2.43KΩ	MC0201L6F2431SE
Resistor, 0201, 1%, 2K49		2.49KΩ	MC0201L6F2491SE
Resistor, 0201, 1%, 2K55		2.55KΩ	MC0201L6F2551SE
Resistor, 0201, 1%, 2K61		2.61KΩ	MC0201L6F2611SE
Resistor, 0201, 1%, 2K67		2.67KΩ	MC0201L6F2671SE
Resistor, 0201, 1%, 2K74		2.74KΩ	MC0201L6F2741SE
Resistor, 0201, 1%, 2K8		2.8KΩ	MC0201L6F2801SE

Thick Film Chip Resistor



Part Number Table

Description	Resistance Tolerance	Resistance	Part Number
Resistor, 0201, 1%, 2K87	±1%	2.87KΩ	MC0201L6F2871SE
Resistor, 0201, 1%, 2K94		2.94KΩ	MC0201L6F2941SE
Resistor, 0201, 1%, 3K01		3.01KΩ	MC0201L6F3011SE
Resistor, 0201, 1%, 3K09		3.09KΩ	MC0201L6F3091SE
Resistor, 0201, 1%, 3K16		3.16KΩ	MC0201L6F3161SE
Resistor, 0201, 1%, 3K24		3.24KΩ	MC0201L6F3241SE
Resistor, 0201, 1%, 3K32		3.32KΩ	MC0201L6F3321SE
Resistor, 0201, 1%, 3K4		3.4KΩ	MC0201L6F3401SE
Resistor, 0201, 1%, 3K48		3.48KΩ	MC0201L6F3481SE
Resistor, 0201, 1%, 3K57		3.57KΩ	MC0201L6F3571SE
Resistor, 0201, 1%, 3K65		3.65KΩ	MC0201L6F3651SE
Resistor, 0201, 1%, 3K74		3.74KΩ	MC0201L6F3741SE
Resistor, 0201, 1%, 3K83		3.83KΩ	MC0201L6F3831SE
Resistor, 0201, 1%, 3K92		3.92KΩ	MC0201L6F3921SE
Resistor, 0201, 1%, 4K02		4.02KΩ	MC0201L6F4021SE
Resistor, 0201, 1%, 4K12		4.12KΩ	MC0201L6F4121SE
Resistor, 0201, 1%, 4K22		4.22KΩ	MC0201L6F4221SE
Resistor, 0201, 1%, 4K32		4.32KΩ	MC0201L6F4321SE
Resistor, 0201, 1%, 4K42		4.42KΩ	MC0201L6F4421SE
Resistor, 0201, 1%, 4K53		4.53KΩ	MC0201L6F4531SE
Resistor, 0201, 1%, 4K64		4.64KΩ	MC0201L6F4641SE
Resistor, 0201, 1%, 4K75		4.75KΩ	MC0201L6F4751SE
Resistor, 0201, 1%, 4K87		4.87KΩ	MC0201L6F4871SE
Resistor, 0201, 1%, 4K99		4.99KΩ	MC0201L6F4991SE
Resistor, 0201, 1%, 5K11		5.11KΩ	MC0201L6F5111SE
Resistor, 0201, 1%, 5K23		5.23KΩ	MC0201L6F5231SE
Resistor, 0201, 1%, 5K36		5.36KΩ	MC0201L6F5361SE
Resistor, 0201, 1%, 5K49		5.49KΩ	MC0201L6F5491SE
Resistor, 0201, 1%, 5K62		5.62KΩ	MC0201L6F5621SE
Resistor, 0201, 1%, 5K76		5.76KΩ	MC0201L6F5761SE
Resistor, 0201, 1%, 5K9		5.9KΩ	MC0201L6F5901SE
Resistor, 0201, 1%, 6K04		6.04KΩ	MC0201L6F6041SE
Resistor, 0201, 1%, 6K19		6.19KΩ	MC0201L6F6191SE

Thick Film Chip Resistor



Part Number Table

Description	Resistance Tolerance	Resistance	Part Number
Resistor, 0201, 1%, 6K34	±1%	6.34KΩ	MC0201L6F6341SE
Resistor, 0201, 1%, 6K49		6.49KΩ	MC0201L6F6491SE
Resistor, 0201, 1%, 6K65		6.65KΩ	MC0201L6F6651SE
Resistor, 0201, 1%, 6K81		6.81KΩ	MC0201L6F6811SE
Resistor, 0201, 1%, 6K98		6.98KΩ	MC0201L6F6981SE
Resistor, 0201, 1%, 7K15		7.15KΩ	MC0201L6F7151SE
Resistor, 0201, 1%, 7K32		7.32KΩ	MC0201L6F7321SE
Resistor, 0201, 1%, 7K68		7.68KΩ	MC0201L6F7681SE
Resistor, 0201, 1%, 7K87		7.87KΩ	MC0201L6F7871SE
Resistor, 0201, 1%, 8K06		8.06KΩ	MC0201L6F8061SE
Resistor, 0201, 1%, 8K25		8.25KΩ	MC0201L6F8251SE
Resistor, 0201, 1%, 8K45		8.45KΩ	MC0201L6F8451SE
Resistor, 0201, 1%, 8K66		8.66KΩ	MC0201L6F8661SE
Resistor, 0201, 1%, 8K87		8.87KΩ	MC0201L6F8871SE
Resistor, 0201, 1%, 9K09		9.09KΩ	MC0201L6F9091SE
Resistor, 0201, 1%, 9K31		9.31KΩ	MC0201L6F9311SE
Resistor, 0201, 1%, 9K53		9.53KΩ	MC0201L6F9531SE
Resistor, 0201, 1%, 9K76		9.76KΩ	MC0201L6F9761SE
Resistor, 0201, 1%, 10K2		10.2KΩ	MC0201L6F1022SE
Resistor, 0201, 1%, 10K5		10.5KΩ	MC0201L6F1052SE
Resistor, 0201, 1%, 10K7		10.7KΩ	MC0201L6F1072SE
Resistor, 0201, 1%, 11K3		11.3KΩ	MC0201L6F1132SE
Resistor, 0201, 1%, 11K5		11.5KΩ	MC0201L6F1152SE
Resistor, 0201, 1%, 11K8		11.8KΩ	MC0201L6F1182SE
Resistor, 0201, 1%, 12K1		12.1KΩ	MC0201L6F1212SE
Resistor, 0201, 1%, 12K4		12.4KΩ	MC0201L6F1242SE
Resistor, 0201, 1%, 12K7		12.7KΩ	MC0201L6F1272SE
Resistor, 0201, 1%, 13K3		13.3KΩ	MC0201L6F1332SE
Resistor, 0201, 1%, 13K7		13.7KΩ	MC0201L6F1372SE
Resistor, 0201, 1%, 14K		14KΩ	MC0201L6F1402SE
Resistor, 0201, 1%, 14K3		14.3KΩ	MC0201L6F1432SE
Resistor, 0201, 1%, 14K7		14.7KΩ	MC0201L6F1472SE
Resistor, 0201, 1%, 15K4		15.4KΩ	MC0201L6F1542SE
Resistor, 0201, 1%, 15K8		15.8KΩ	MC0201L6F1582SE

Thick Film Chip Resistor



Part Number Table

Description	Resistance Tolerance	Resistance	Part Number
Resistor, 0201, 1%, 16K2	±1%	16.2KΩ	MC0201L6F1622SE
Resistor, 0201, 1%, 16K5		16.5KΩ	MC0201L6F1652SE
Resistor, 0201, 1%, 16K9		16.9KΩ	MC0201L6F1692SE
Resistor, 0201, 1%, 17K4		17.4KΩ	MC0201L6F1742SE
Resistor, 0201, 1%, 17K8		17.8KΩ	MC0201L6F1782SE
Resistor, 0201, 1%, 18K2		18.2KΩ	MC0201L6F1822SE
Resistor, 0201, 1%, 18K7		18.7KΩ	MC0201L6F1872SE
Resistor, 0201, 1%, 19K1		19.1KΩ	MC0201L6F1912SE
Resistor, 0201, 1%, 19K6		19.6KΩ	MC0201L6F1962SE
Resistor, 0201, 1%, 20K5		20.5KΩ	MC0201L6F2052SE
Resistor, 0201, 1%, 21K		21KΩ	MC0201L6F2102SE
Resistor, 0201, 1%, 21K5		21.5KΩ	MC0201L6F2152SE
Resistor, 0201, 1%, 22K1		22.1KΩ	MC0201L6F2212SE
Resistor, 0201, 1%, 22K6		22.6KΩ	MC0201L6F2262SE
Resistor, 0201, 1%, 23K2		23.2KΩ	MC0201L6F2322SE
Resistor, 0201, 1%, 23K7		23.7KΩ	MC0201L6F2372SE
Resistor, 0201, 1%, 24K3		24.3KΩ	MC0201L6F2432SE
Resistor, 0201, 1%, 24K9		24.9KΩ	MC0201L6F2492SE
Resistor, 0201, 1%, 25K5		25.5KΩ	MC0201L6F2552SE
Resistor, 0201, 1%, 26K1		26.1KΩ	MC0201L6F2612SE
Resistor, 0201, 1%, 26K7		26.7KΩ	MC0201L6F2672SE
Resistor, 0201, 1%, 27K4		27.4KΩ	MC0201L6F2742SE
Resistor, 0201, 1%, 28K		28KΩ	MC0201L6F2802SE
Resistor, 0201, 1%, 28K7		28.7KΩ	MC0201L6F2872SE
Resistor, 0201, 1%, 29K4		29.4KΩ	MC0201L6F2942SE
Resistor, 0201, 1%, 30K1		30.1KΩ	MC0201L6F3012SE
Resistor, 0201, 1%, 30K9		30.9KΩ	MC0201L6F3092SE
Resistor, 0201, 1%, 31K6		31.6KΩ	MC0201L6F3162SE
Resistor, 0201, 1%, 32K4		32.4KΩ	MC0201L6F3242SE
Resistor, 0201, 1%, 33K2		33.2KΩ	MC0201L6F3322SE
Resistor, 0201, 1%, 34K		34KΩ	MC0201L6F3402SE
Resistor, 0201, 1%, 34K8		34.8KΩ	MC0201L6F3482SE
Resistor, 0201, 1%, 35K7		35.7KΩ	MC0201L6F3572SE
Resistor, 0201, 1%, 36K5		36.5KΩ	MC0201L6F3652SE

Thick Film Chip Resistor



Part Number Table

Description	Resistance Tolerance	Resistance	Part Number
Resistor, 0201, 1%, 37K4	±1%	37.4KΩ	MC0201L6F3742SE
Resistor, 0201, 1%, 38K3		38.3KΩ	MC0201L6F3832SE
Resistor, 0201, 1%, 39K2		39.2KΩ	MC0201L6F3922SE
Resistor, 0201, 1%, 40K2		40.2KΩ	MC0201L6F4022SE
Resistor, 0201, 1%, 41K2		41.2KΩ	MC0201L6F4122SE
Resistor, 0201, 1%, 42K2		42.2KΩ	MC0201L6F4222SE
Resistor, 0201, 1%, 43K2		43.2KΩ	MC0201L6F4322SE
Resistor, 0201, 1%, 44K2		44.2KΩ	MC0201L6F4422SE
Resistor, 0201, 1%, 45K3		45.3KΩ	MC0201L6F4532SE
Resistor, 0201, 1%, 46K4		46.4KΩ	MC0201L6F4642SE
Resistor, 0201, 1%, 47K5		47.5KΩ	MC0201L6F4752SE
Resistor, 0201, 1%, 48K7		48.7KΩ	MC0201L6F4872SE
Resistor, 0201, 1%, 49K9		49.9KΩ	MC0201L6F4992SE
Resistor, 0201, 1%, 51K1		51.1KΩ	MC0201L6F5112SE
Resistor, 0201, 1%, 52K3		52.3KΩ	MC0201L6F5232SE
Resistor, 0201, 1%, 53K6		53.6KΩ	MC0201L6F5362SE
Resistor, 0201, 1%, 54K9		54.9KΩ	MC0201L6F5492SE
Resistor, 0201, 1%, 56K2		56.2KΩ	MC0201L6F5622SE
Resistor, 0201, 1%, 57K6		57.6KΩ	MC0201L6F5762SE
Resistor, 0201, 1%, 59K		59KΩ	MC0201L6F5902SE
Resistor, 0201, 1%, 60K4		60.4KΩ	MC0201L6F6042SE
Resistor, 0201, 1%, 61K9		61.9KΩ	MC0201L6F6192SE
Resistor, 0201, 1%, 63K4		63.4KΩ	MC0201L6F6342SE
Resistor, 0201, 1%, 64K9		64.9KΩ	MC0201L6F6492SE
Resistor, 0201, 1%, 66K5		66.5KΩ	MC0201L6F6652SE
Resistor, 0201, 1%, 68KR1		68..1KΩ	MC0201L6F6812SE
Resistor, 0201, 1%, 69K8		69.8KΩ	MC0201L6F6982SE
Resistor, 0201, 1%, 71K5		71.5KΩ	MC0201L6F7152SE
Resistor, 0201, 1%, 73K2		73.2KΩ	MC0201L6F7322SE
Resistor, 0201, 1%, 76K8		76.8KΩ	MC0201L6F7682SE
Resistor, 0201, 1%, 78K7		78.7KΩ	MC0201L6F7872SE
Resistor, 0201, 1%, 80K6		80.6KΩ	MC0201L6F8062SE
Resistor, 0201, 1%, 82K5		82.5KΩ	MC0201L6F8252SE
Resistor, 0201, 1%, 84K5		84.5KΩ	MC0201L6F8452SE

Thick Film Chip Resistor



Part Number Table

Description	Resistance Tolerance	Resistance	Part Number
Resistor, 0201, 1%, 86K6	±1%	86.6KΩ	MC0201L6F8662SE
Resistor, 0201, 1%, 88K7		88.7KΩ	MC0201L6F8872SE
Resistor, 0201, 1%, 90K9		90.9KΩ	MC0201L6F9092SE
Resistor, 0201, 1%, 93K1		93.1KΩ	MC0201L6F9312SE
Resistor, 0201, 1%, 95K3		95.3KΩ	MC0201L6F9532SE
Resistor, 0201, 1%, 97K6		97.6KΩ	MC0201L6F9762SE
Resistor, 0201, 1%, 102K		102KΩ	MC0201L6F1023SE
Resistor, 0201, 1%, 105K		105KΩ	MC0201L6F1053SE
Resistor, 0201, 1%, 107K		107KΩ	MC0201L6F1073SE
Resistor, 0201, 1%, 113K		113KΩ	MC0201L6F1133SE
Resistor, 0201, 1%, 115K		115KΩ	MC0201L6F1153SE
Resistor, 0201, 1%, 118K		118KΩ	MC0201L6F1183SE
Resistor, 0201, 1%, 121K		121KΩ	MC0201L6F1213SE
Resistor, 0201, 1%, 124K		124KΩ	MC0201L6F1243SE
Resistor, 0201, 1%, 127K		127KΩ	MC0201L6F1273SE
Resistor, 0201, 1%, 133K		133KΩ	MC0201L6F1333SE
Resistor, 0201, 1%, 137K		137KΩ	MC0201L6F1373SE
Resistor, 0201, 1%, 140K		140KΩ	MC0201L6F1403SE
Resistor, 0201, 1%, 143K		143KΩ	MC0201L6F1433SE
Resistor, 0201, 1%, 147K		147KΩ	MC0201L6F1473SE
Resistor, 0201, 1%, 154K		154KΩ	MC0201L6F1543SE
Resistor, 0201, 1%, 158K		158KΩ	MC0201L6F1583SE
Resistor, 0201, 1%, 162K		162KΩ	MC0201L6F1623SE
Resistor, 0201, 1%, 165K		165KΩ	MC0201L6F1653SE
Resistor, 0201, 1%, 169K		169KΩ	MC0201L6F1693SE
Resistor, 0201, 1%, 174K		174KΩ	MC0201L6F1743SE
Resistor, 0201, 1%, 178K		178KΩ	MC0201L6F1783SE
Resistor, 0201, 1%, 182K		182KΩ	MC0201L6F1823SE
Resistor, 0201, 1%, 187K		187KΩ	MC0201L6F1873SE
Resistor, 0201, 1%, 191K		191KΩ	MC0201L6F1913SE
Resistor, 0201, 1%, 196K		196KΩ	MC0201L6F1963SE
Resistor, 0201, 1%, 205K		205KΩ	MC0201L6F2053SE
Resistor, 0201, 1%, 210K		210KΩ	MC0201L6F2103SE
Resistor, 0201, 1%, 215K	215KΩ	MC0201L6F2153SE	

Thick Film Chip Resistor



Part Number Table

Description	Resistance Tolerance	Resistance	Part Number
Resistor, 0201, 1%, 221K	±1%	221KΩ	MC0201L6F2213SE
Resistor, 0201, 1%, 226K		226KΩ	MC0201L6F2263SE
Resistor, 0201, 1%, 232K		232KΩ	MC0201L6F2323SE
Resistor, 0201, 1%, 237K		237KΩ	MC0201L6F2373SE
Resistor, 0201, 1%, 243K		243KΩ	MC0201L6F2433SE
Resistor, 0201, 1%, 249K		249KΩ	MC0201L6F2493SE
Resistor, 0201, 1%, 255K		255KΩ	MC0201L6F2553SE
Resistor, 0201, 1%, 261K		261KΩ	MC0201L6F2613SE
Resistor, 0201, 1%, 267K		267KΩ	MC0201L6F2673SE
Resistor, 0201, 1%, 274K		274KΩ	MC0201L6F2743SE
Resistor, 0201, 1%, 280K		280KΩ	MC0201L6F2803SE
Resistor, 0201, 1%, 287K		287KΩ	MC0201L6F2873SE
Resistor, 0201, 1%, 294K		294KΩ	MC0201L6F2943SE
Resistor, 0201, 1%, 301K		301KΩ	MC0201L6F3013SE
Resistor, 0201, 1%, 309K		309KΩ	MC0201L6F3093SE
Resistor, 0201, 1%, 316K		316KΩ	MC0201L6F3163SE
Resistor, 0201, 1%, 324K		324KΩ	MC0201L6F3243SE
Resistor, 0201, 1%, 332K		332KΩ	MC0201L6F3323SE
Resistor, 0201, 1%, 340K		340KΩ	MC0201L6F3403SE
Resistor, 0201, 1%, 348K		348KΩ	MC0201L6F3483SE
Resistor, 0201, 1%, 360K		360KΩ	MC0201L6F3603SE
Resistor, 0201, 1%, 365K		365KΩ	MC0201L6F3653SE
Resistor, 0201, 1%, 374K		374KΩ	MC0201L6F3743SE
Resistor, 0201, 1%, 383K		383KΩ	MC0201L6F3833SE
Resistor, 0201, 1%, 392K		392KΩ	MC0201L6F3923SE
Resistor, 0201, 1%, 402K		402KΩ	MC0201L6F4023SE
Resistor, 0201, 1%, 412K		412KΩ	MC0201L6F4123SE
Resistor, 0201, 1%, 422K		422KΩ	MC0201L6F4223SE
Resistor, 0201, 1%, 432K		432KΩ	MC0201L6F4323SE
Resistor, 0201, 1%, 442K		442KΩ	MC0201L6F4423SE
Resistor, 0201, 1%, 453K		453KΩ	MC0201L6F4533SE
Resistor, 0201, 1%, 464K		464KΩ	MC0201L6F4643SE
Resistor, 0201, 1%, 475K		475KΩ	MC0201L6F4753SE
Resistor, 0201, 1%, 487K	487KΩ	MC0201L6F4873SE	

Thick Film Chip Resistor



Part Number Table

Description	Resistance Tolerance	Resistance	Part Number
Resistor, 0201, 1%, 499K	±1%	499KΩ	MC0201L6F4993SE
Resistor, 0201, 1%, 511K		511KΩ	MC0201L6F5113SE
Resistor, 0201, 1%, 523K		523KΩ	MC0201L6F5233SE
Resistor, 0201, 1%, 536K		536KΩ	MC0201L6F5363SE
Resistor, 0201, 1%, 549K		549KΩ	MC0201L6F5493SE
Resistor, 0201, 1%, 562K		562KΩ	MC0201L6F5623SE
Resistor, 0201, 1%, 576K		576KΩ	MC0201L6F5763SE
Resistor, 0201, 1%, 590K		590KΩ	MC0201L6F5903SE
Resistor, 0201, 1%, 604K		604KΩ	MC0201L6F6043SE
Resistor, 0201, 1%, 619K		619KΩ	MC0201L6F6193SE
Resistor, 0201, 1%, 634K		634KΩ	MC0201L6F6343SE
Resistor, 0201, 1%, 649K		649KΩ	MC0201L6F6493SE
Resistor, 0201, 1%, 665K		665KΩ	MC0201L6F6653SE
Resistor, 0201, 1%, 681K		681KΩ	MC0201L6F6813SE
Resistor, 0201, 1%, 698K		698KΩ	MC0201L6F6983SE
Resistor, 0201, 1%, 715K		715KΩ	MC0201L6F7153SE
Resistor, 0201, 1%, 732K		732KΩ	MC0201L6F7323SE
Resistor, 0201, 1%, 768K		768KΩ	MC0201L6F7683SE
Resistor, 0201, 1%, 787K		787KΩ	MC0201L6F7873SE
Resistor, 0201, 1%, 806K		806KΩ	MC0201L6F8063SE
Resistor, 0201, 1%, 825K		825KΩ	MC0201L6F8253SE
Resistor, 0201, 1%, 845K		845KΩ	MC0201L6F8453SE
Resistor, 0201, 1%, 866K		866KΩ	MC0201L6F8663SE
Resistor, 0201, 1%, 887K		887KΩ	MC0201L6F8873SE
Resistor, 0201, 1%, 909K		909KΩ	MC0201L6F9093SE
Resistor, 0201, 1%, 931K		931KΩ	MC0201L6F9313SE
Resistor, 0201, 1%, 953K	953KΩ	MC0201L6F9533SE	
Resistor, 0201, 1%, 976K	976KΩ	MC0201L6F9763SE	
Resistor, 0201, 1%, 10M	10MΩ	MC0201L6F1005SE	
Resistor, 0201, 5%, 0R	±5%	0Ω	MC0201L6JR000SE
Resistor, 0201, 5%, 1R		1Ω	MC0201L6J1R00SE
Resistor, 0201, 5%, 1R1		1.1Ω	MC0201L6J1R10SE
Resistor, 0201, 5%, 1R2		1.2Ω	MC0201L6J1R20SE
Resistor, 0201, 5%, 1R3		1.3Ω	MC0201L6J1R30SE

Thick Film Chip Resistor



Part Number Table

Description	Resistance Tolerance	Resistance	Part Number
Resistor, 0201, 5%, 1R4	±5%	1.4Ω	MC0201L6J1R50SE
Resistor, 0201, 5%, 1R6		1.6Ω	MC0201L6J1R60SE
Resistor, 0201, 5%, 1R8		1.8Ω	MC0201L6J1R80SE
Resistor, 0201, 5%, 2R		2Ω	MC0201L6J2R00SE
Resistor, 0201, 5%, 2R2		2.2Ω	MC0201L6J2R20SE
Resistor, 0201, 5%, 2R4		2.4Ω	MC0201L6J2R40SE
Resistor, 0201, 5%, 2R7		2.7Ω	MC0201L6J2R70SE
Resistor, 0201, 5%, 3R		3Ω	MC0201L6J3R00SE
Resistor, 0201, 5%, 3R3		3.3Ω	MC0201L6J3R30SE
Resistor, 0201, 5%, 3R6		3.6Ω	MC0201L6J3R60SE
Resistor, 0201, 5%, 3R9		3.9Ω	MC0201L6J3R90SE
Resistor, 0201, 5%, 4R3		4.3Ω	MC0201L6J4R30SE
Resistor, 0201, 5%, 4R7		4.7Ω	MC0201L6J4R70SE
Resistor, 0201, 5%, 5R1		5.1Ω	MC0201L6J5R10SE
Resistor, 0201, 5%, 5R6		5.6Ω	MC0201L6J5R60SE
Resistor, 0201, 5%, 6R2		6.2Ω	MC0201L6J6R20SE
Resistor, 0201, 5%, 6R8		6.8Ω	MC0201L6J6R80SE
Resistor, 0201, 5%, 7R5		7.5Ω	MC0201L6J7R50SE
Resistor, 0201, 5%, 8R2		8.2Ω	MC0201L6J8R20SE
Resistor, 0201, 5%, 9R1		9.1Ω	MC0201L6J9R1CSE
Resistor, 0201, 5%, 75R		75Ω	MC0201L6J750CSE
Resistor, 0201, 5%, 270R		270Ω	MC0201L6J271CSE
Resistor, 0201, 5%, 1K1		1.1KΩ	MC0201L6J1101SE
Resistor, 0201, 5%, 1K13		1.13KΩ	MC0201L6J1131SE
Resistor, 0201, 5%, 1K15		1.15KΩ	MC0201L6J1151SE
Resistor, 0201, 5%, 1K18		1.18KΩ	MC0201L6J1181SE
Resistor, 0201, 5%, 1K2		1.2KΩ	MC0201L6J1201SE
Resistor, 0201, 5%, 1K21		1.21KΩ	MC0201L6J1211SE
Resistor, 0201, 5%, 1K24		1.24KΩ	MC0201L6J1241SE
Resistor, 0201, 5%, 1K27		1.27KΩ	MC0201L6J1271SE
Resistor, 0201, 5%, 1K3		1.3KΩ	MC0201L6J1301SE
Resistor, 0201, 5%, 1K33		1.33KΩ	MC0201L6J1331SE
Resistor, 0201, 5%, 1K37		1.37KΩ	MC0201L6J1371SE
Resistor, 0201, 5%, 1K4		1.4KΩ	MC0201L6J1401SE

Thick Film Chip Resistor



Part Number Table

Description	Resistance Tolerance	Resistance	Part Number
Resistor, 0201, 5%, 1K43	±5%	1.43KΩ	MC0201L6J1431SE
Resistor, 0201, 5%, 1K47		1.47KΩ	MC0201L6J1471SE
Resistor, 0201, 5%, 1K5		1.5KΩ	MC0201L6J1501SE
Resistor, 0201, 5%, 1K54		1.54KΩ	MC0201L6J1541SE
Resistor, 0201, 5%, 1K58		1.58KΩ	MC0201L6J1581SE
Resistor, 0201, 5%, 1K6		1.6KΩ	MC0201L6J1601SE
Resistor, 0201, 5%, 1K62		1.62KΩ	MC0201L6J1621SE
Resistor, 0201, 5%, 1K65		1.65KΩ	MC0201L6J1651SE
Resistor, 0201, 5%, 1K69		1.69KΩ	MC0201L6J1691SE
Resistor, 0201, 5%, 75K		75KΩ	MC0201L6J7502SE
Resistor, 0201, 5%, 91K		91KΩ	MC0201L6J913CSE
Resistor, 0201, 5%, 270K		270KΩ	MC0201L6J2703SE
Resistor, 0201, 5%, 1M1		1.1MΩ	MC0201L6J1104SE
Resistor, 0201, 5%, 1M2		1.2MΩ	MC0201L6J1204SE
Resistor, 0201, 5%, 1M3		1.3MΩ	MC0201L6J1304SE
Resistor, 0201, 5%, 1M4		1.4MΩ	MC0201L6J1404SE
Resistor, 0201, 5%, 1M6		1.6MΩ	MC0201L6J1604SE
Resistor, 0201, 5%, 1M8		1.8MΩ	MC0201L6J1804SE
Resistor, 0201, 5%, 2M		2MΩ	MC0201L6J2004SE
Resistor, 0201, 5%, 2M2		2.2MΩ	MC0201L6J2204SE
Resistor, 0201, 5%, 2M4		2.4MΩ	MC0201L6J2404SE
Resistor, 0201, 5%, 2M7		2.7MΩ	MC0201L6J2704SE
Resistor, 0201, 5%, 3M		3MΩ	MC0201L6J3004SE
Resistor, 0201, 5%, 3M3		3.3MΩ	MC0201L6J3304SE
Resistor, 0201, 5%, 3M6		3.6MΩ	MC0201L6J3604SE
Resistor, 0201, 5%, 3M9		3.9MΩ	MC0201L6J3904SE
Resistor, 0201, 5%, 4M3		4.3MΩ	MC0201L6J4304SE
Resistor, 0201, 5%, 4M7		4.7MΩ	MC0201L6J4704SE
Resistor, 0201, 5%, 5M1		5.1MΩ	MC0201L6J5104SE

Thick Film Chip Resistor



Part Number Table

Description	Resistance Tolerance	Resistance	Part Number
Resistor, 0201, 5%, 5M6	±5%	5.6MΩ	MC0201L6J5604SE
Resistor, 0201, 5%, 6M2		6.2MΩ	MC0201L6J6204SE
Resistor, 0201, 5%, 6M8		6.8MΩ	MC0201L6J6804SE
Resistor, 0201, 5%, 7M5		7.5MΩ	MC0201L6J7504SE
Resistor, 0201, 5%, 8M2		8.2MΩ	MC0201L6J8204SE
Resistor, 0201, 5%, 9M1		9.1MΩ	MC0201L6J9104SE

Disclaimer This data sheet and its contents (the "Information") belong to the Premier Farnell Group (the "Group") or are licensed to it. No licence is granted for the use of it other than for information purposes in connection with the products to which it relates. No licence of any intellectual property rights is granted. The Information is subject to change without notice and replaces all data sheets previously supplied. The Information supplied is believed to be accurate but the Group assumes no responsibility for its accuracy or completeness, any error in or omission from it or for any use made of it. Users of this data sheet should check for themselves the Information and the suitability of the products for their purpose and not make any assumptions based on information included or omitted. Liability for loss or damage resulting from any reliance on the Information or use of it (including liability resulting from negligence or where the Group was aware of the possibility of such loss or damage arising) is excluded. This will not operate to limit or restrict the Group's liability for death or personal injury resulting from its negligence. SPC Multicomp is the registered trademark of the Group. © Premier Farnell plc 2010.

<http://www.farnell.com>
<http://www.newark.com>
<http://www.cpc.co.uk>

