

W2E200H Series

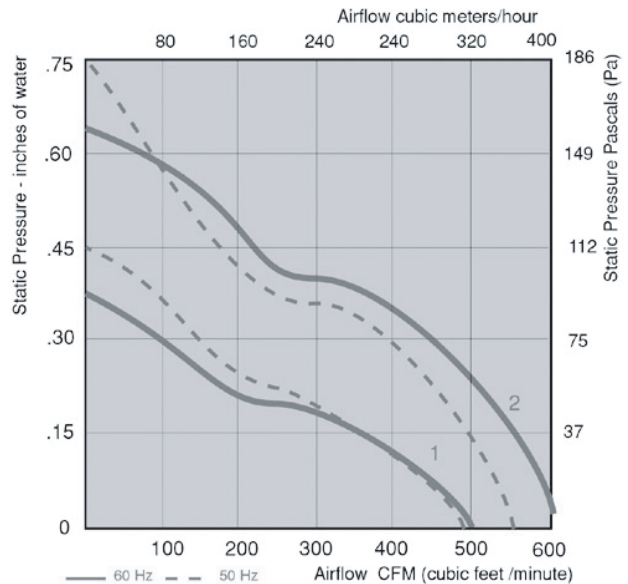
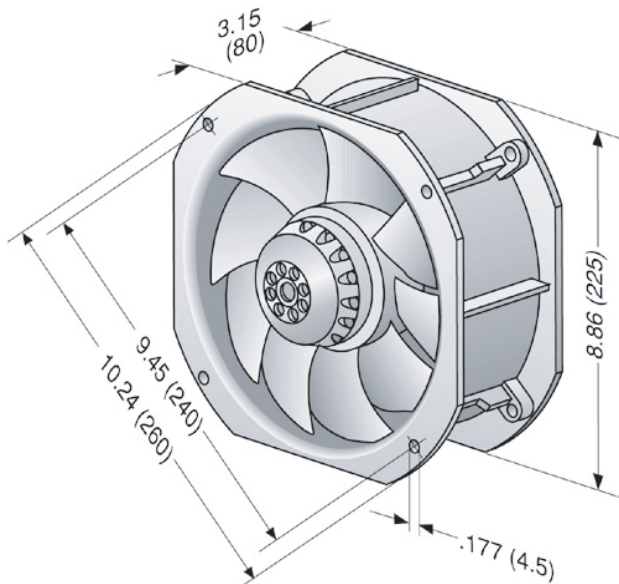
Tubeaxial

225x225x80mm



- AC fans with external rotor shaded-pole motor.
- Die-cast aluminum housing. Impeller of sheet-steel, directly welded onto rotor.
- Air exhaust over struts. Rotational direction CCW looking at rotor.
- Mounting from either face using four 4.5 mm holes.
- Electrical connection via 2 flat pin terminals 2.8 x 0.5 mm.
- Mounting from either face using 2 4.3 mm (.169") holes.
- UL, CSA, VDE approvals on some models, please contact application engineering.

Part Number	Curve	CFM @ 0	VAC	Hertz	Power (W)	dBA	Max Amb. Temp C	Bearing Type	Features	Wgt. (lbs)
W2E200-HH82-01	1	500	115	50/60	60	56	75	Ball	Terminal Block	4.38
W2E200-HH86-01	2	607	115	50/60	80	61	75	Ball	Terminal Block	4.38
W2E200-HH64-05	1	500	230	50/60	60	56	75	Ball	Terminal Block	4.38
W2E200-HH38-01	2	607	230	50/60	80	61	75	Ball	Terminal Block	4.38



ebmpapst

e-mail: sales@us.ebmpapst.com · TEL: 860-674-1515 · FAX: 860-674-8536

ebm-papst Inc., 100 Hyde Road, Farmington, CT 06034 USA

ebm-papst Inc., 2004 © ebm-papst Inc. reserves the right to change any specifications or data without notice