

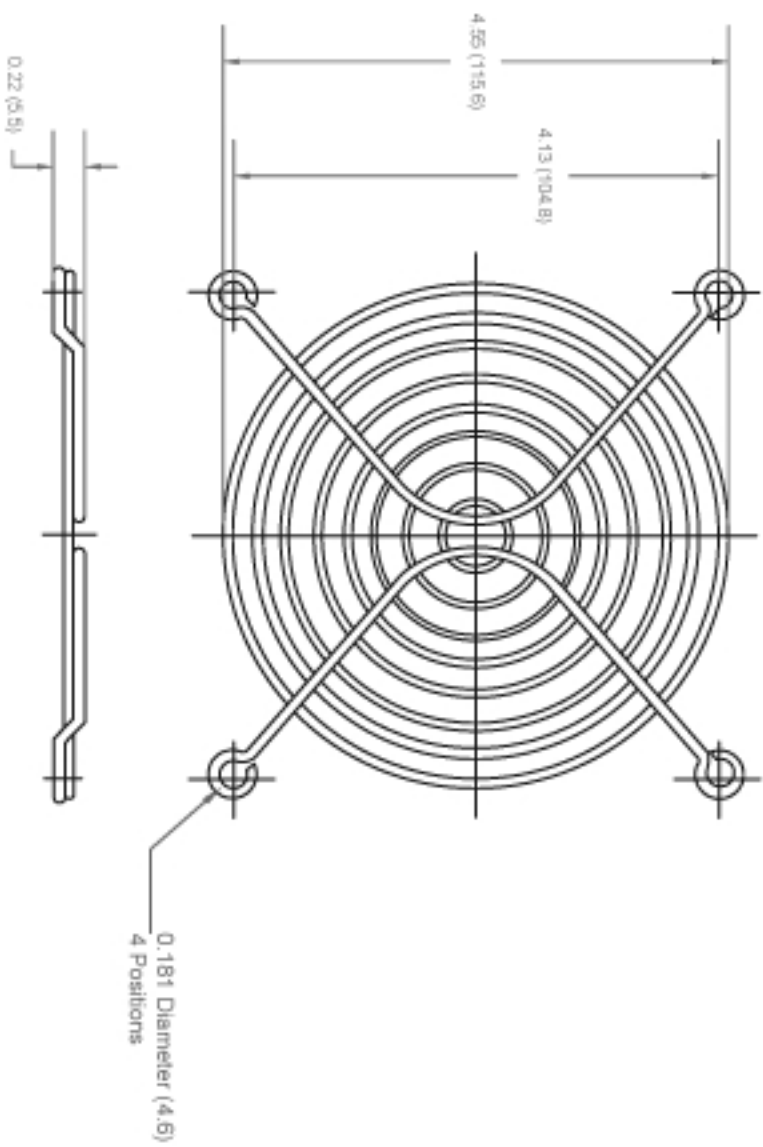
ALL RIGHTS RESERVED. NO PORTION OF THIS PUBLICATION, WHETHER IN WHOLE OR IN PART, CAN BE REPRODUCED WITHOUT THE EXPRESS WRITTEN CONSENT OF SPC TECHNOLOGY.

SPC-1002.090

REVISIONS

DCP #	REV	DESCRIPTION	DRAWN	DATE	CHECKED	DATE	APPROV	DATE
			JMG	19-10-10	MRO	19-10-10	XXX	02-11-10

DOC. NO. SPC-1002 * Emissione 7/8/02 * DCP. No. 1388



Notes:

- Material : C1008 Steel
- Plating : Polyurethane Foam UL94V-1 45PPI
- Ring Diameter : 1.8mm
- Ring Diameter : 1.8mm

Part Number Table

Description	Part Number
Wire Fan Guard	MC

Dimensions : inches (mm)

DISCLAIMER:
ALL STATEMENTS AND TECHNICAL INFORMATION CONTAINED HEREIN ARE BASED UPON INFORMATION AND/OR TESTS WE BELIEVE TO BE ACCURATE AND RELIABLE. SINCE CONDITIONS OF USE ARE BEYOND OUR CONTROL, THE USER SHALL DETERMINE THE SUITABILITY OF THE PRODUCT FOR THE INTENDED USE AND ASSUME ALL RISK AND LIABILITY WHATSOEVER IN CONNECTION THEREWITH.

TOLERANCES:
UNLESS OTHERWISE SPECIFIED, DIMENSIONS ARE FOR REFERENCE PURPOSES ONLY.

DRAWN BY:	DATE:
JMG	19-10-10
CHECKED BY:	DATE:
MRO	19-10-10
APPROVED BY:	DATE:
XXX	02-11-10

DRAWING TITLE:		WIRE FAN GUARD	
SIZE:	DWG. NO.:	ELECTRONIC FILE:	REV:
A	MC		A
SCALE:	U.O.M.:	SHEET:	1 OF 1
MTS	Millimeters		