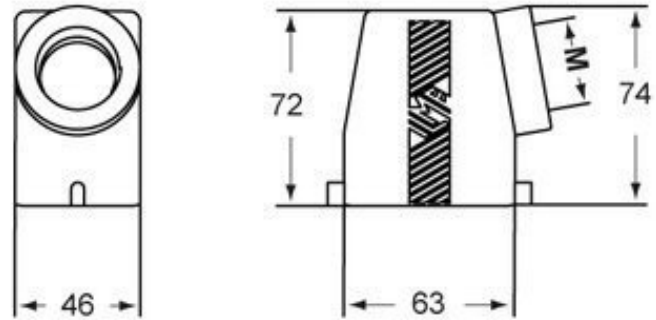


## Product Sheet

**Part Number:** TMAO 06 L25



Dimensions in mm



<b>Family</b>	TC - TM insulating enclosures
<b>Version</b>	insulating version
<b>Series</b>	hoods for single lever
<b>Product type</b>	with 2 pegs
<b>Type</b>	side entry
<b>IP degree of protection</b>	IP65 (EN 60529) degree of protection (UL Type 12)
<b>Cable entry</b>	M 25
<b>Fixing centre distance</b>	size "44.27"
<b>Material</b>	insulating
<b>Notes</b>	The enclosures ensure IP protection rating when mated and locked. To be complete with cable glands.

The information and the dimensions are not binding and may be changed without prior notice.