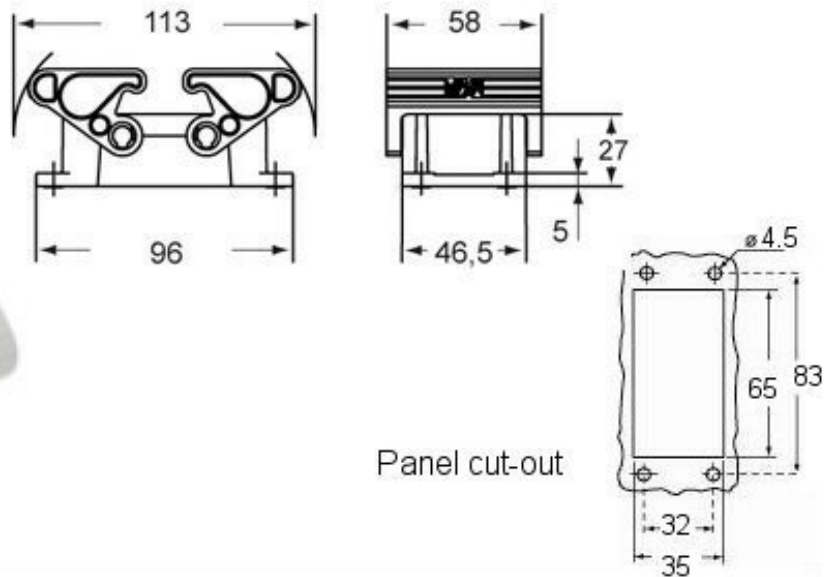


Product Sheet

Part Number: TCHI 10



Dimensions in mm



Family	TC - TM insulating enclosures
Version	insulating version
Series	bulkhead mounting housings with 2 levers or 4 pegs
Product type	with two levers in thermoplastic material
IP degree of protection	IP65 (EN 60529) degree of protection (UL Type 12)
Fixing centre distance	size "57.27"
Material	insulating
Notes	The enclosures ensure IP protection rating when mated and locked. To be complete with cable glands.

The information and the dimensions are not binding and may be changed without prior notice.