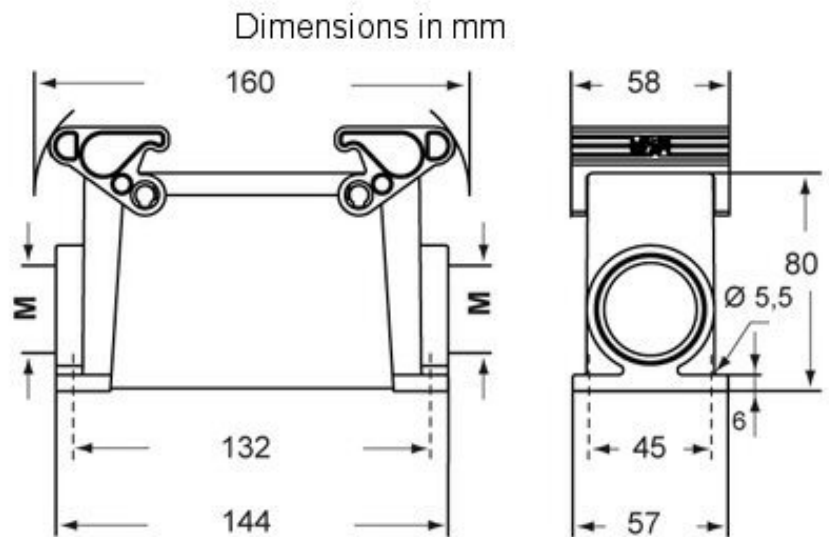


## Product Sheet

**Part Number:** TMAP 24.32



<b>Family</b>	TC - TM insulating enclosures
<b>Version</b>	insulating version
<b>Series</b>	surface mounting housings with 2 levers or 4 pegs
<b>Product type</b>	with two levers in thermoplastic material
<b>IP degree of protection</b>	IP65 (EN 60529) degree of protection (UL Type 12)
<b>Cable entry</b>	M 32
<b>Fixing centre distance</b>	size "104.27"
<b>Material</b>	insulating
<b>Notes</b>	The enclosures ensure IP protection rating when mated and locked. To be complete with cable glands.

The information and the dimensions are not binding and may be changed without prior notice.