

0,80mm HI-SPEED HEADER QTE, CQTE SERIES

SPECIFICATIONS

For complete specifications and recommended PCB layouts see www.samtec.com?QTE

QTE

Insulator Material: Liquid Crystal Polymer
Terminal Material: Phosphor Bronze
Plating: Au over 50µ" (1,27µm) Ni
Current Rating: Contacts: 2A @ 80°C
 Ground Plane: 9.5A @ 80°C
Operating Temp Range: -55°C to +125°C
Voltage Rating: 225 VAC mated with QSE & 5mm Stack Height
Max Cycles: 100
Unmating Force (-RT1 option): -RT1 option increases unmating force up to 50%
RoHS Compliant: Yes

Processing:

Max Processing Temp: 230°C for 60 seconds, or 260°C for 20 seconds 3x
Lead-Free Solderable: Yes
SMT Lead Coplanarity: (0,10mm) .004" max (020-060) (0,15mm) .006" max (080)
Board Stacking: For applications requiring more than two connectors per board or 80 positions or higher, contact ipg@samtec.com

SPECIFICATIONS

For complete specifications and recommended PCB layouts see www.samtec.com?CQTE

CQTE

Same as QTE except: UL & CSA certification pending
Plating: Electro-Polished Selective
Max Cycles: 25

APPLICATION SPECIFIC OPTION

- 14mm, 15mm, 22mm and 30mm stack height (Caution: Some automatic placement/inspection machines may have component height restrictions. Please consult machinery specifications.)
 - 30µ" (0,76µm) Gold (Specify -H plating for Data Rate cable mating applications. QTE only)
 - Edge Mount
 - 100 positions per row (QTE only)
 - Guide Posts, Screw Down & Friction Lock (QTE only)
- Call Samtec.

Mates with: QSE, CQSE, EQCD, EQSD (See Application Specific note)

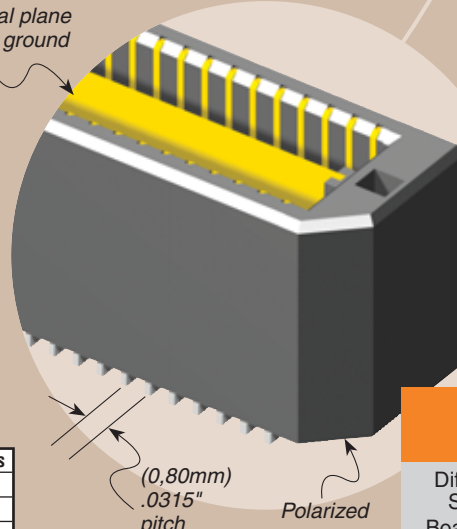


Note: Some lengths, styles and options are non-standard, non-returnable.

5mm Stack Height	Rated @ -3dB Insertion Loss
Single-Ended Signaling	9 GHz / 18 Gbps
Differential Pair Signaling	8 GHz / 16 Gbps

Performance data for other stack heights available at www.samtec.com?QTE

Integral metal plane for power or ground



Standard stack heights from 5mm to 25mm



ALSO AVAILABLE

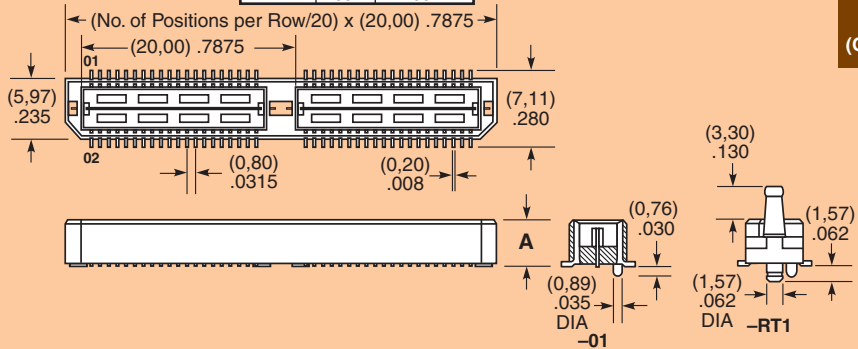
Differential Pair version. See QTE-DP Series.
 Board Spacing Standoffs. See SO Series.

TYPE STRIP	NO. OF POSITIONS PER ROW	LEAD STYLE	PLATING OPTION	D	A	OTHER OPTION
	-020, -040, -060, -080 (40 total positions per bank)	Specify LEAD STYLE from chart.	-L = 10µ" (0,25µm) Gold on Signal Pins and Ground Plane, Matte Tin on tails (QTE only)			-K = (7,00mm) .275" DIA Polyimide Film Pick & Place Pad
			-F = Gold Flash on Signal Pins and Ground Plane, Matte Tin on tails (QTE only)			-TR = Tape & Reel Packaging (-060 positions maximum) (QTE Series Only)
			-C = Electro-Polished Selective (CQTE only)			-RT1 = Retention Option (-01 Lead Style only & -060 positions maximum) (QTE Series Only)

QTE
(Requires -L or -F plating)

CQTE
(Requires -C plating)

QTE LEAD STYLE	A	HEIGHT WITH QSE
-01	(4,27) .168	(5,00) .198
-02	(7,26) .286	(8,00) .316
-03	(10,27) .404	(11,00) .433
-04	(15,25) .600	(16,00) .630
-05	(18,24) .718	(19,00) .748
-07	(24,24) .954	(25,00) .984



Due to technical progress, all designs, specifications and components are subject to change without notice.

WWW.SAMTEC.COM