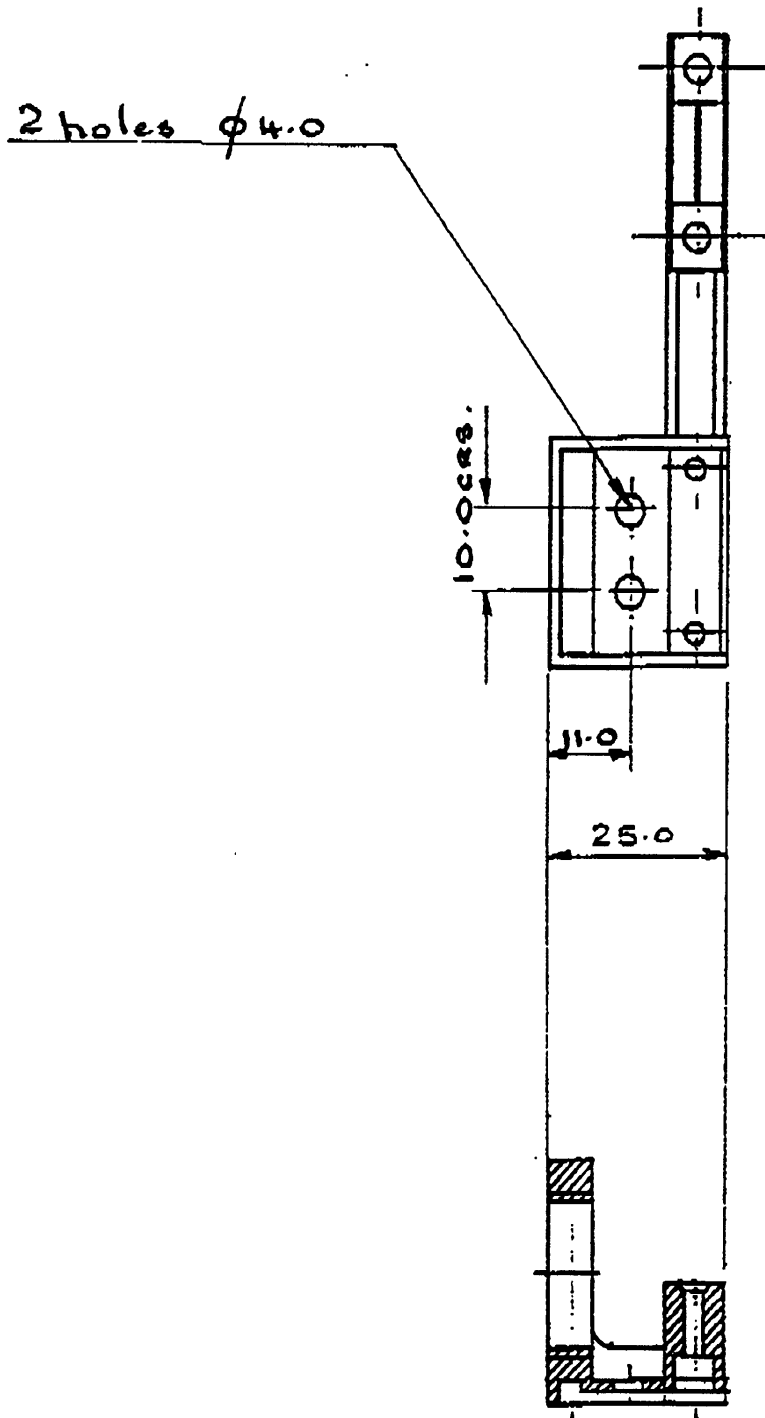


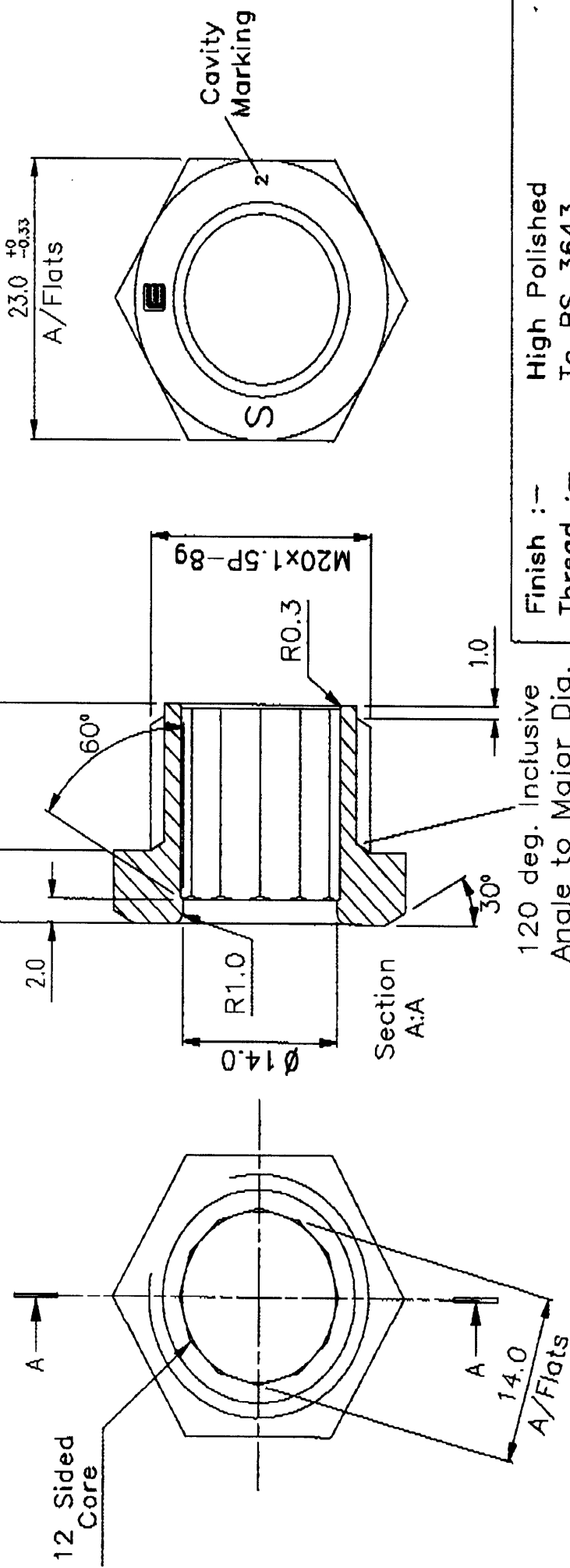
320-1430



CONCLAMP TYPE B. (692)

1 2 3 4 5 6 7 8 9 10 11 12 13 14 15

UN-CONTROLLED

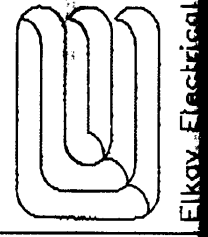


120 deg. Inclusive
Angle to Major Dia.

Finish : - High Polished
Thread : - To BS 3643
Engraving : - ROMANS Font
Logo Height 2mm
Text Height 2.5mm
Cavity I.D. 1mm

C	Engraving - Remove "M20" and Add "S"	BM	19-12-96
B	Tolerance Added to A/Flats Dimension	BM	08-1-96
A	Add 120 deg Angle To Aid Tooling	BM	14-7-95
REV.	DESCRIPTION	BY	DATE

DIMENSIONS	mm	TOOL No.	
SCALE	2:1	MATERIAL	Nylon 6.6
		Product Code	47
		Cable Gland Bush	
rights concerning this drg. are owned by ELKAY and must not be shown			



Elkay Electrical

TOLERANCE	OVER / TO = +/-	DRAFTED	DATE
	0.00/5.00 = 0.05	A. Murray	20-6-95
	5.01/15.00 = 0.10	CHECKED	APPROVED
	15.01/25.00 = 0.15	S.E. Williams	
	25.01/50.00 = 0.20	DRAWING No.	REV.
		000618	C