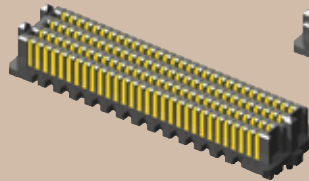
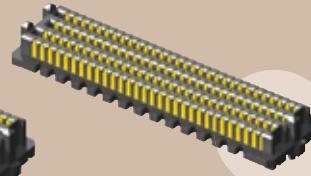




SEAM-20-02.0-S-10-2-A



SEAM-30-03.5-S-08-2-A



SEAM-30-02.0-S-08-2-A

OPEN PIN FIELD ARRAY SEAM SERIES

SPECIFICATIONS

For complete specifications and recommended PCB layouts see www.samtec.com?SEAM

Insulator Material:

Black LCP

Contact Material:

Copper Alloy

Current Rating:

2.7 A

Operating Temp Range:

-55°C to +125°C

Plating:

Au over 50µ" (1,27µm) Ni

Contact Resistance:

5.5 mΩ

Working Voltage:

240 VAC

Mated Cycles:

100

RoHS Compliant:

Yes

Processing:

Max Processing Temp:

230°C for 60 seconds, or

260°C for 20 seconds 3x

Lead-Free Solderable:

Yes

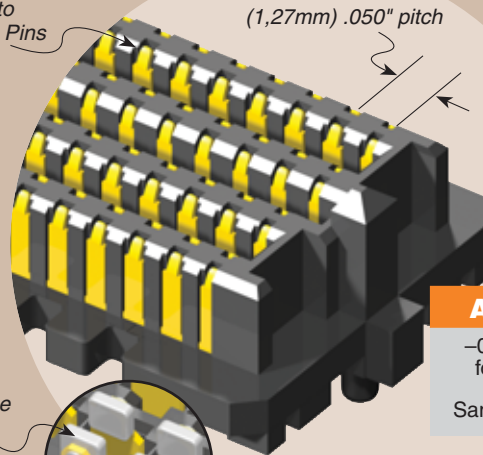


Mates with:
SEAF, SADL



Up to 500 Pins

(1,27mm) .050" pitch



Low Insertion/
Extraction Forces

APPLICATION

-05, -08 and -10 row footprint compatible with SamArray®. Samples recommended.

MATED HEIGHTS*			
SEAM LEAD STYLE	SEAF LEAD STYLE		
	-05.0	-06.0	-06.5
-02.0	7mm	8mm	8.5mm
-03.5	8.5mm	9.5mm	10mm
-07.0	12mm	13mm	13.5mm
-09.0	14mm	15mm	15.5mm
-11.0	16mm	17mm	17.5mm

*Processing conditions will affect mated height.

Lead-Free Solder Charge Terminations (Tin/Lead also available)

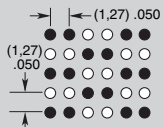
7mm Stack Height	Rated @ -3dB Insertion Loss
Single-Ended Signaling	5 GHz / 10 Gbps
Differential Pair Signaling	10.5 GHz / 21 Gbps

Performance data for other stack heights available at www.samtec.com?SEAM

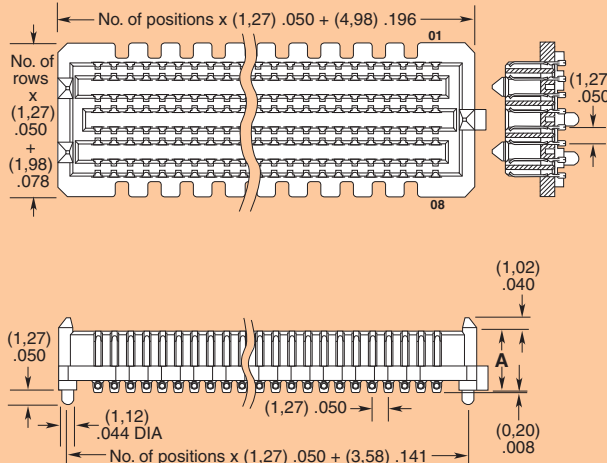
Application Notes
Rapid I/O (SRIO)
Download at www.samtec.com/appnote

SEAM	NO. PINS PER ROW	LEAD STYLE	PLATING OPTION	NO. OF ROWS	SOLDER TYPE	OPTION
	-20, -30, -40, -50	Specify LEAD STYLE from chart	-S = 30µ" (0,76µm) Gold on contact area, Matte Tin on solder tail	-04 = Four Rows -05 = Five Rows (Lead Style -02.0 only) -06 = Six Rows (Lead Style -02.0 only) -08 = Eight Rows -10 = Ten Rows	-2 = Lead-Free Tin Alloy 95.5% Sn/ 3.8% Ag/0.7% Cu Solder Charge	-A = Alignment Pins (Recommended. Arrays will not self-center on solder pads) -K = Polyimide film Pick & Place Pad -TR = Tape & Reel

DIFFERENTIAL APPLICATION



ARRAY	PAIR COUNT
50x10	125
50x8	100
40x10	100
40x8	80
40x6	60
30x10	75
30x8	60
30x6	45
20x10	50
20x8	40
20x10	25



LEAD STYLE	A
-02.0	(4,60) .181
-03.5	(6,10) .240
-07.0	(9,60) .378
-09.0	(11,60) .457
-11.0	(13,60) .535

Note: Some sizes, styles and options are non-standard, non-returnable.

Due to technical progress, all designs, specifications and components are subject to change without notice.

WWW.SAMTEC.COM