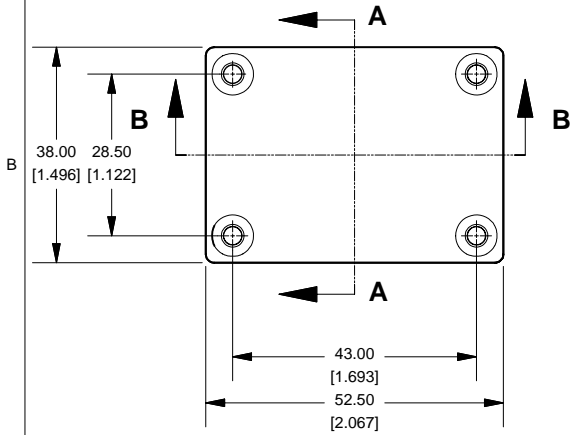
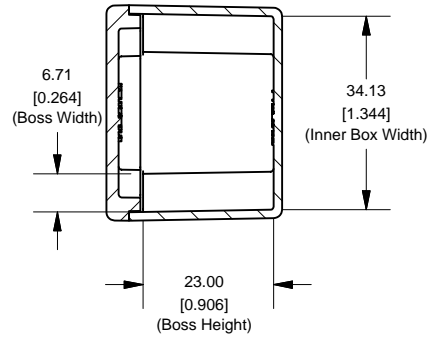


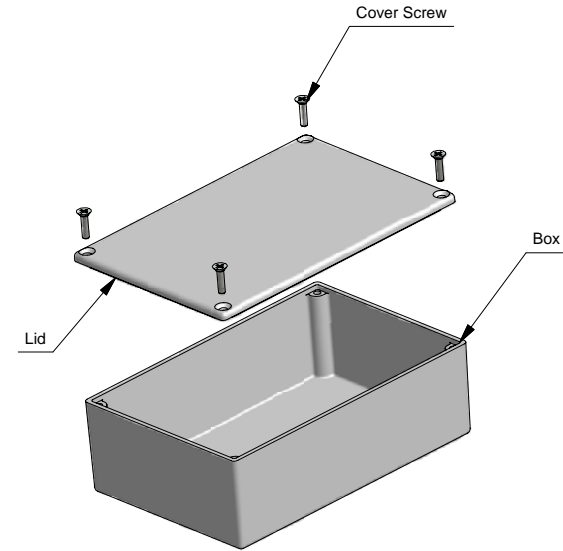
Top View of Assembly



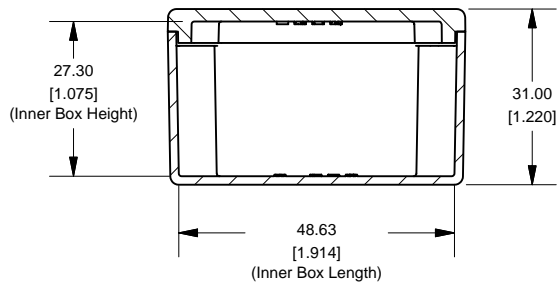
**SECTION A-A
End View of Assembly**



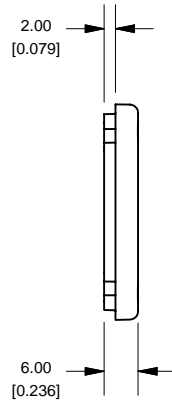
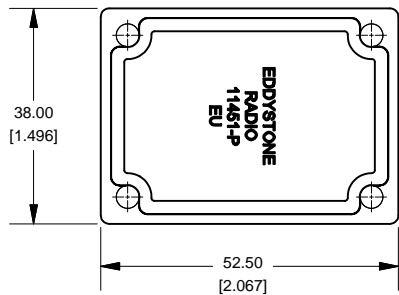
**Eddystone - Shallow Lid
(11451PSLA)**



**SECTION B-B
Side View of Assembly**



Lid



| PART DESCRIPTION | |
|---------------------|---|
| Part Number: | 11451PSLA |
| Material: | Diecast Aluminum Alloy |
| Screw Type: | M3.5 x 6 taptite screws (Includes 4) (Screws accept POZIDRIV No.2 screwdriver) |



www.hammondmfg.com