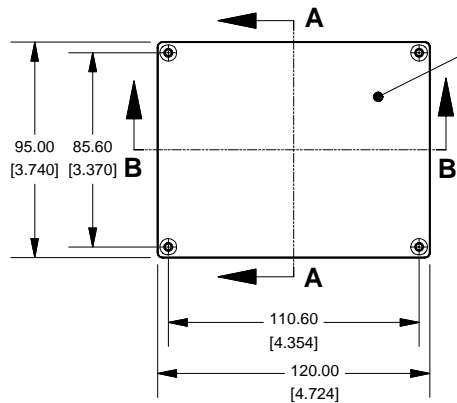
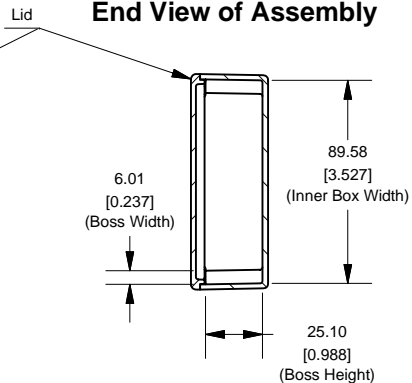


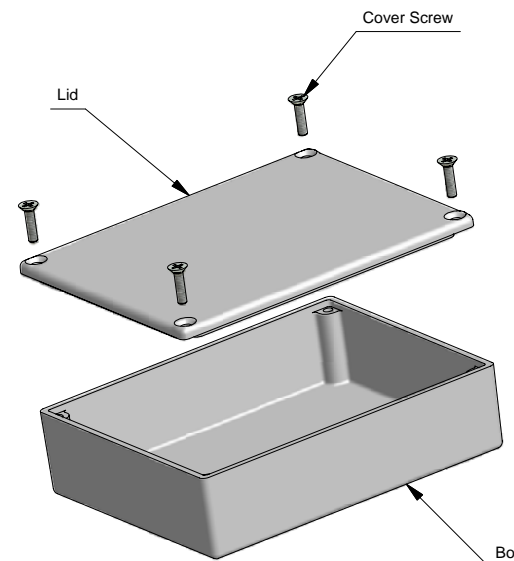
**Top View of Assembly**



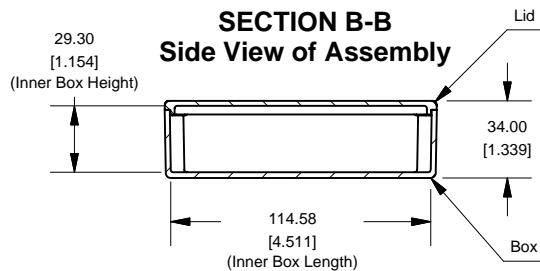
**SECTION A-A  
End View of Assembly**



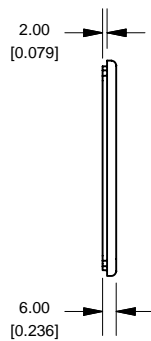
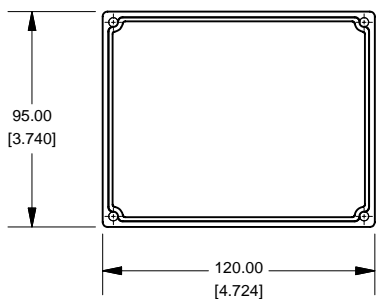
**Eddystone - Shallow Lid  
(29830PSLA)**



**SECTION B-B  
Side View of Assembly**



**Lid**



PART DESCRIPTION	
<b>Part Number:</b>	29830PSLA
<b>Material:</b>	Diecast Aluminum Alloy
<b>Screw Type:</b>	M3.5 x 6 taptite screws (Includes 4) (Screws accept POZIDRIV No.2 screwdriver)

