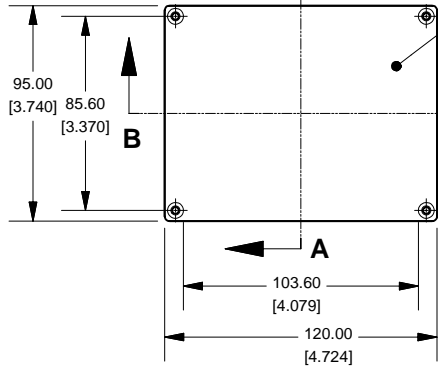
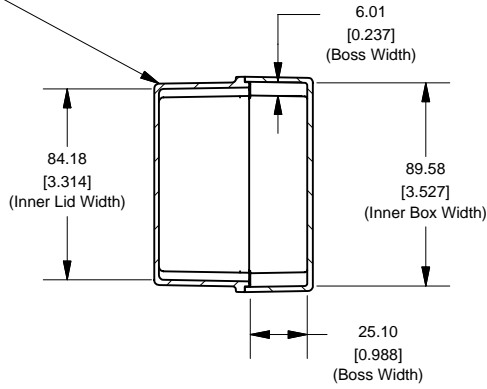


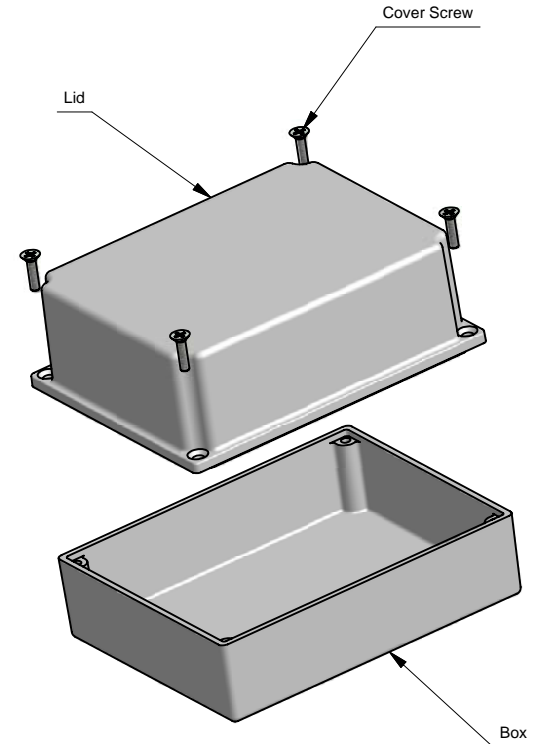
Top View of Assembly



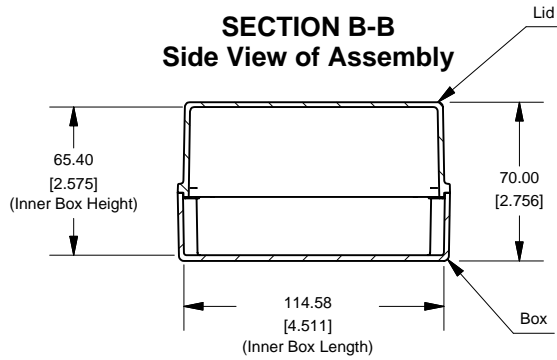
SECTION A-A
End View of Assembly



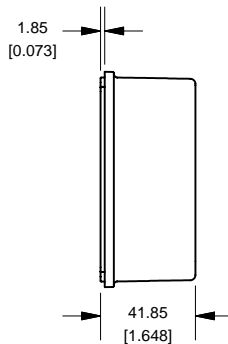
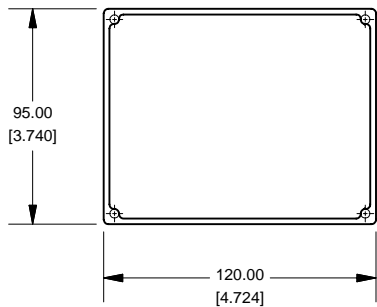
Eddystone - Deep Lid (29830PDLA)



SECTION B-B
Side View of Assembly



Lid



PART DESCRIPTION	
Part Number:	29830PDLA
Material:	Diecast Aluminum Alloy
Screw Type:	M3.5 x 6 taptite screws (Includes 4) (Screws accept POZIDRIV No.2 screwdriver)

