



HRS4T Relay



No. CQC03001008509



50062840



1.COIL DATA

1-1.Nominal Voltage	3,5,6,9,12,24,48VDC
1-2.Coil Resistance	Refer to Coil Data Chart
1-3.Operate Voltage	Refer to Coil Data Chart
1-4.Release Voltage	Refer to Coil Data Chart
1-5.Nominal Power	360mW、450mW、720mW

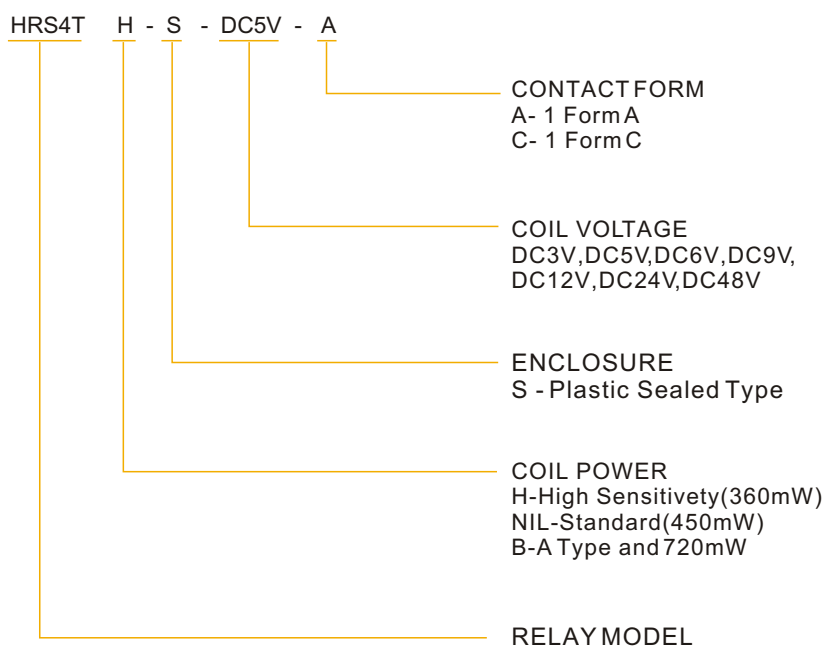
2.CONTACT DATA

2-1.Contact Form	A- 1Form A ,C-1 Form C
2-2.Contact Material	Ag Alloy
2-3.Contact Rating	12A 120VAC 10A 250VC/24VDC 5A 120VAC/24VDC Inductive(COS Φ=0.4,L/R=7ms)
2-4.Max.Switching Voltage	TV-5 250VAC/24VDC
2-5.Max.Switching Current	15A
2-6.Max.Switching Power	2,500VA,240W
2-7.Min.Switching Load	5VDC,100mA
2-8.Contact Resistance	Max 100mΩ (6VDC 1A)
2-9.Life	
Electrical (standard)	100,000 operations
Mechanical	10,000,000 operations

3.GENERAL DATA

3-1.Insulation Resistance	Min.1000M Ω500VDC
3-2.Dielectric Strength	1,000VAC,1 Min between open contacts 1,800VAC,1 min between coil and contacts
3-3.Operate Time	Max.10ms
3-4.Release Time	Max.5ms
3-5.Operate Temperature	-40 ~ +85℃
3-6.Shock Resistance	
Endurance	1,000m/s ²
Misoperation	100m/s ²
3-7.Vibration Resistance	
Endurance	10 ~ 55Hz,1.5mm double amplitude
Misoperation	10 ~ 55Hz,1.5mm double amplitude
3-8.Humidity	35%~ 95%RH,+40℃
3-9.Weight	Approximately 12g
3-10.Safety	TUV NO.50062840 CQC NO.03001008509

4.ORDER CODE

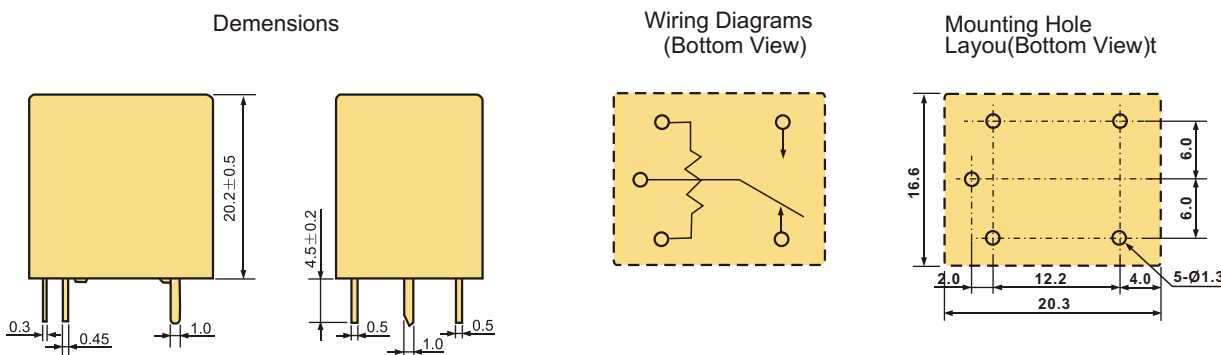


5.COIL DATA CHART

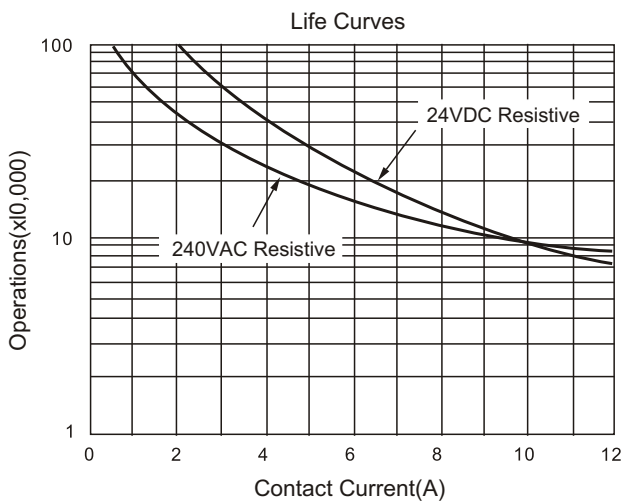
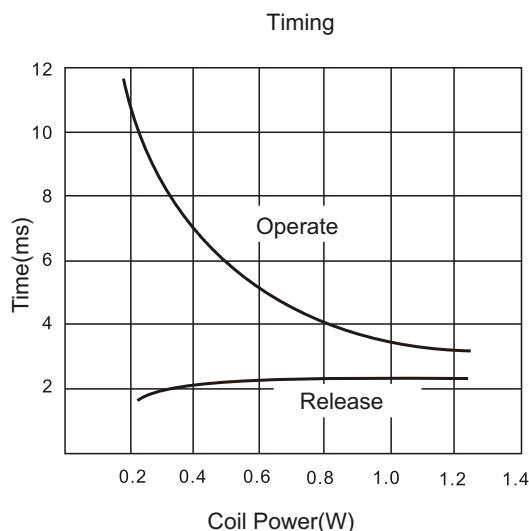
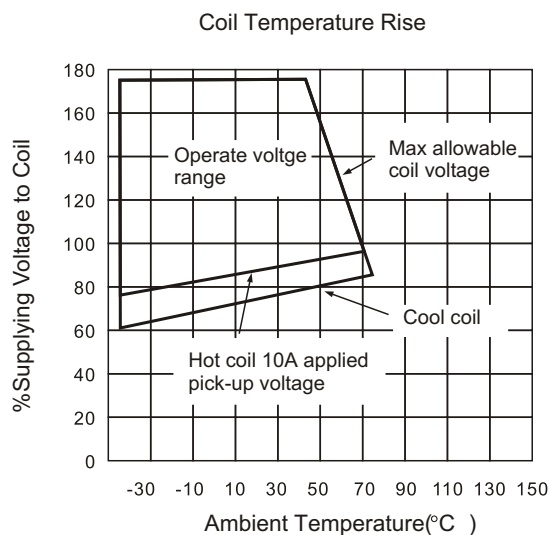
20°C

Model	Nominal Voltage VDC	Coil Resistance Ω +/-10%	Operate Voltage \leq VDC	Release Voltage \geq VDC	Coil Power mW
HRS4T-(S)-DC3V	3	20	2.10	0.30	450
HRS4T-(S)-DC5V	5	55	3.50	0.50	
HRS4T-(S)-DC6V	6	80	4.20	0.60	
HRS4T-(S)-DC9V	9	180	6.30	0.90	
HRS4T-(S)-DC12V	12	320	8.40	1.20	
HRS4T-(S)-DC24V	24	1280	16.8	2.40	
HRS4T-(S)-DC48V	48	5120	33.6	4.80	
HRS4TH-(S)-DC3V	3	25	2.10	0.30	360
HRS4TH-(S)-DC5V	5	70	3.50	0.50	
HRS4TH-(S)-DC6V	6	100	4.20	0.60	
HRS4TH-(S)-DC9V	9	225	6.30	0.90	
HRS4TH-(S)-DC12V	12	400	8.40	1.20	
HRS4TH-(S)-DC24V	24	1600	16.8	2.40	
HRS4TB-(S)-DC6V	6	50	4.20	0.60	720
HRS4TB-(S)-DC12V	12	200	8.40	1.20	
HRS4TB-(S)-DC24V	24	800	16.8	2.40	

6.DIMENSIONS (mm)



7.HRS4T CHARACTERISTIC CHART DATA



Note: This data is based on the max. allowable temperature for E type insulation coil (120°C)