

Specifications

Insulation Resistance:	500MΩ min. at 500V DC
Withstanding Voltage:	250V ACrms for 1 minute
Contact Resistance:	100mΩ max. at 10mA / 20mV max.
Current Rating:	0.5A
Voltage Rating:	5.0Vrms
Operating Temp. Range:	-55°C to +85°C
Mating Cycles:	5,000 insertions

Materials and Finish

Insulator:	- LCP, glass filled (UL94V-0)
Contact Plating:	Mating Face - Gold over Nickel
	Solder Tails - SnPb over Nickel



Part Number (Details)

FMS006 - 200 1 - 0

Series No.

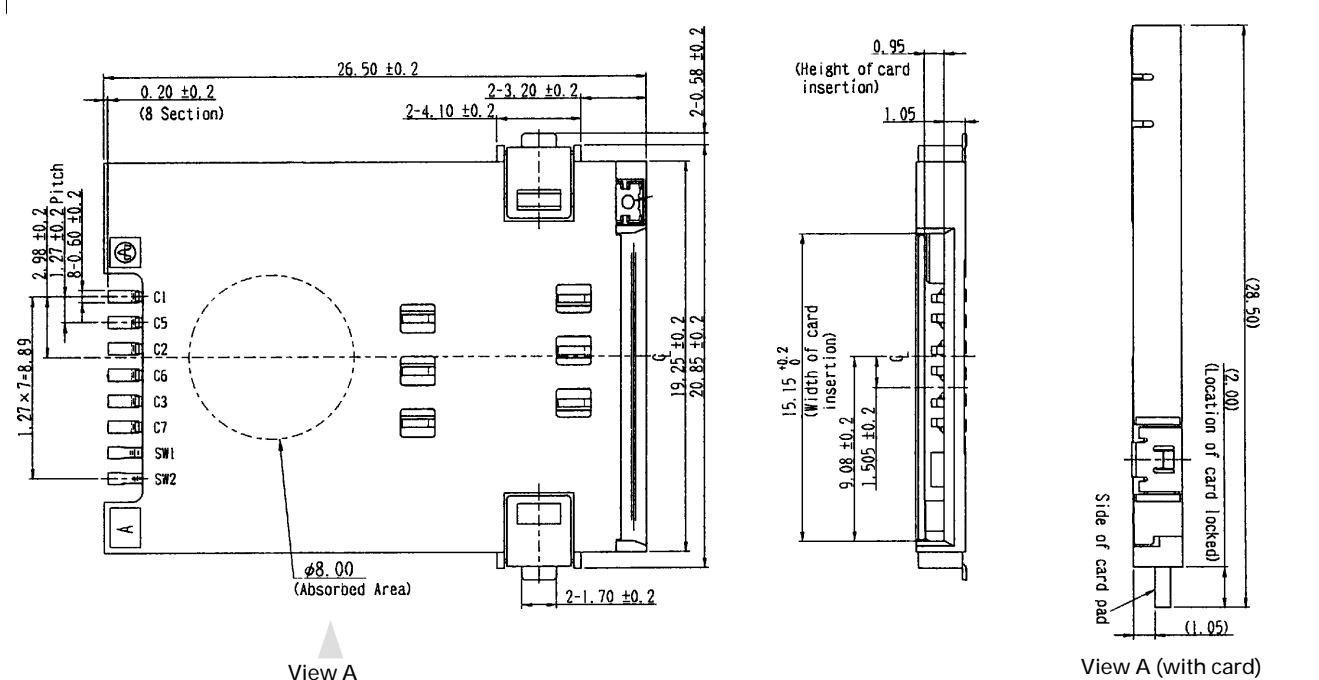
Design No.

1 = with Switch

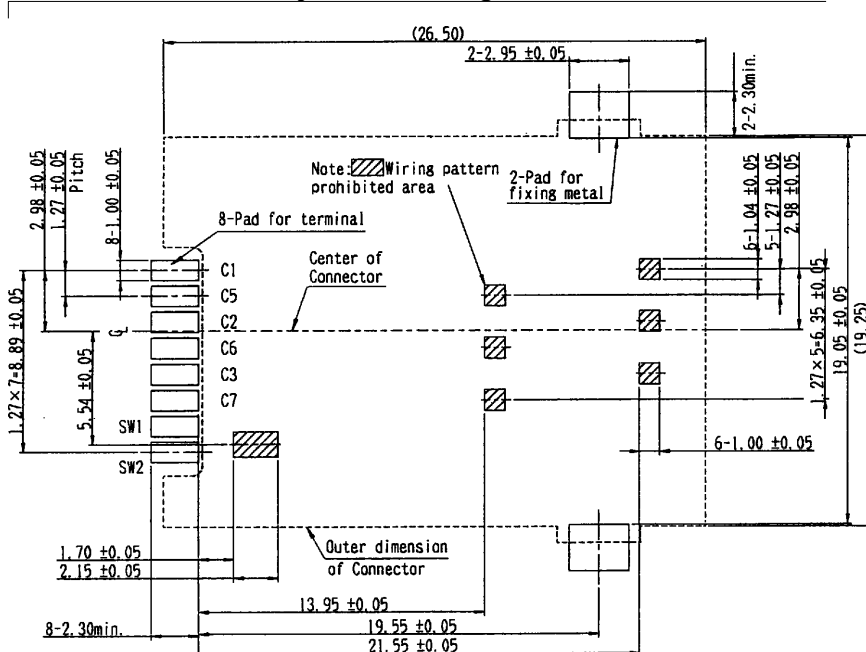
Features

- Conforms to GSM11.11 standard for the European mobile phone system
- Smooth extraction function by Push / Push mechanism
- With switch
- For assembly on top of the PC-Board
- Tape and Reel Packaging (800 pcs./reel)

Outline Connector Dimensions (reference only)



Recommended PCB Layout (Mounting Side)



Card Insertion

