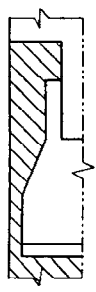
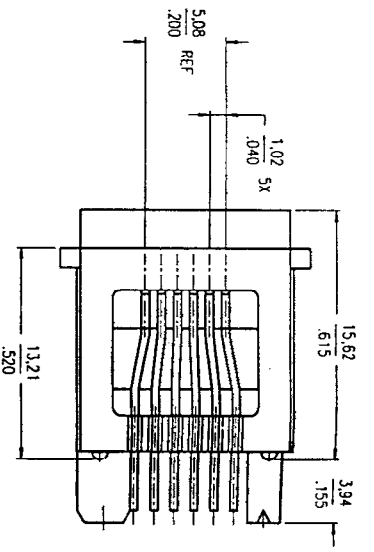
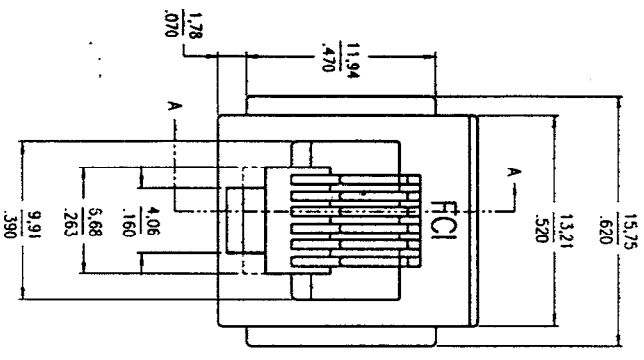
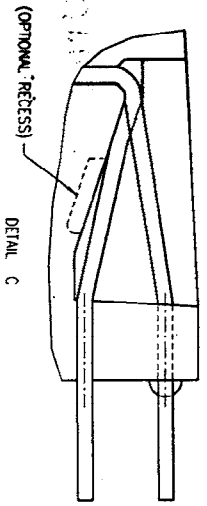
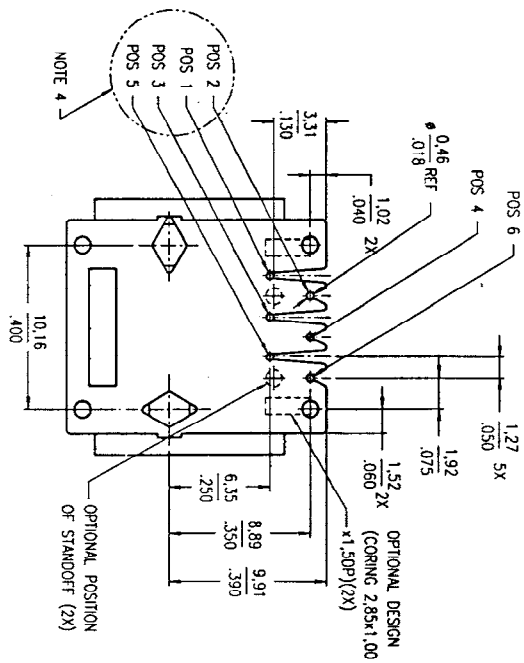
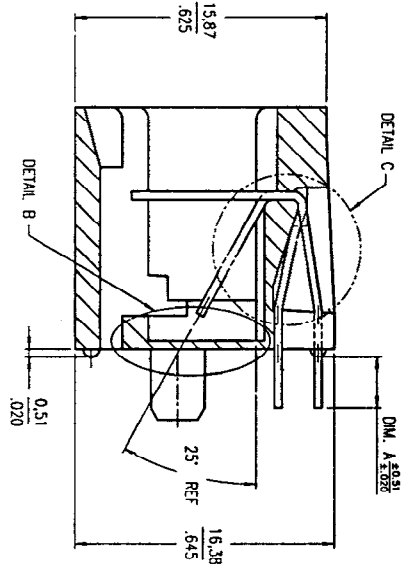




Form No. 7230-001-103



SECTION A-A



NOTE 4  
POS 1  
POS 2  
POS 3  
POS 5

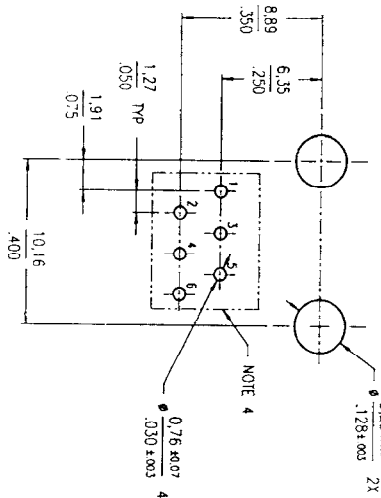
mat'l. code	tolerances unless otherwise specified		CUSTOMER	FCI Electronics
lit. ecd no. dr. date	X ±.30		COPY	www.fciconnect.com
N. V70900	Rev. # 06/04/97	linear	projection	1st angle
P. 170458	Cl. 10/21/97	xxx ±.05	mm	3:1
R. 180219	Cl. 09/28/98	0° ±.2°	product family	MOD JACK
S. S90142	JSR 10/41/99	dr	size dwg no	69254
			sheet	1 of 2
Sheet	revision	1	5	2
index	sheet	1	2	

code 22526



PRODUCT NO.	POSITIONS LORDED	CONTACT PLATING	HOUSING COLOR	DIM. A	NOTES
69254-001	ALL	30u" CXT	BLACK		-
-002	2,3,4,5	30u" CXT	BLACK		-
-003	3,4	30u" CXT	BLACK		-
-004	2,3,4,5	30u" /0.76u Au	BLACK		-
-005	3,4	50u" /1.27u Au	BLACK		-
-006	3,4	30u" /0.76u Au	BLACK		-
-007	ALL	50u" /1.27u Au	BLACK	3.18	-
-008	ALL	30u" /0.76u Au	BLACK		-
-009	ALL	30u" CXT	BLACK		NOTE 1
-010	2,3,4,5	50u" /1.27u Au	BLACK		-
-011	ALL	30u" CXT	GREY		-
-012	2,3,4,5	15u" CXT	BLACK		-
-001A	ALL	30u" CXT	BLACK		NOTE 3
-001L	ALL	30u" CXT	BLACK		-
-002L	2,3,4,5	30u" CXT	BLACK	3.94	-

BOARD LAYOUT  
VIEWED FROM TOP



- NOTE:
- SPECIAL PACKAGING
  - CXT IS 0.76um / 30u" OR 0.28um / 15u" MIN CXT WITH Au FLASH OVER 1.27um / 50u" MIN Ni.
  - ALL THE SPECS OF 69254-001A ARE SAME AS 69254-001 EXCEPT THE HSG HAS NO ANY "OPTIONAL DIMS".
  - THIS PIN NUMBERING IS OPPOSITE TO FCC, PART 68, SUBPART F REQUIREMENTS.

mod code	date	revision	sheet
1	11/02/97	1	1 of 2
2	11/02/97	2	2 of 2
3	11/02/97	3	3 of 2
4	11/02/97	4	4 of 2
5	11/02/97	5	5 of 2
6	11/02/97	6	6 of 2

customer	FCI Electronics
part no	69254
description	4 POS VERTICAL PCB, MOD JACK ASSY
project	1000
sheet	2 of 2