

TERMINAL STRIPS TS, TD & HTS SERIES

SPECIFICATIONS

For complete specifications see www.samtec.com?TS or www.samtec.com?TD

TS, TD

Insulator Material: Black G.F. Polyester
Terminal Material: Brass, except Style G is Phosphor Bronze
Plating: Au over 50µ" (1,27µm) Ni or Sn over 100µ" (2,54µm) Cu or 50µ" (1,27µm) Ni
Operating Temp Range: -55°C to +125°C with Gold -55°C to +105°C with Tin
Current Rating: 1A
RoHS Compliant: Yes
Lead-Free Solderable: Wave only



Mates with: SS, SD, HSS, SL, SDL, ESS, ESD

Note: Some lengths, styles and options are non-standard, non-returnable.

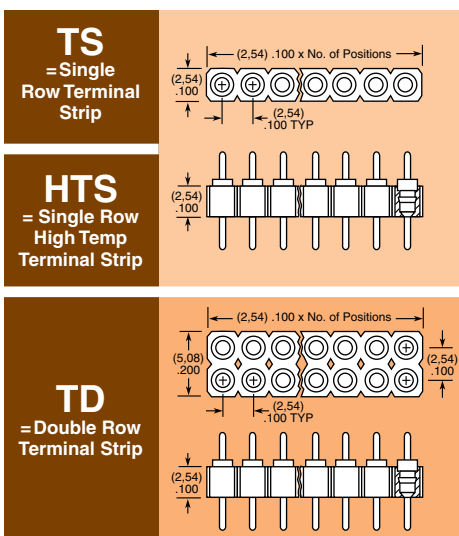
TYPE STRIP

1

NO. PINS PER ROW

PLATING OPTION

LEAD STYLE



- G**
= 20µ" (0,51µm) Gold
Except -J & -L are 10µ" (0,25µm) Gold
- T**
= Tin
- 01 thru 32**
=TS Series
- 01 thru 36**
=HTS & TD Series

SPECIFICATIONS

For complete specifications see www.samtec.com?HTS

HTS

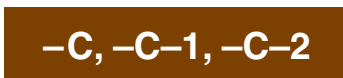
Same as TS except:
Insulator Material: Black Liquid Crystal Polymer
Max Processing Temp: 230°C for 60 seconds, or 260°C for 20 seconds 3x with all Au
Lead-Free Solderable: Wave, or reflow with all Au



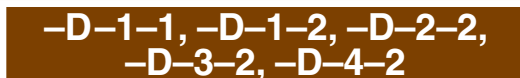
Component No. = T-1R5-



-A Component No. = T-1R0-
-A-X Component No. = T-1R7



-C Component No. = T-1R2-
-C-X Component No. = T-1R9-



Component No. = T-1S4-

*-D-2-2, -D-3-2, D-4-2 N/A with TD Series



Component No. = T-1R5-



Component No. = S-1P1-



Component No. = S-1W1



Component No. = T-1S2-

Due to technical progress, all designs, specifications and components are subject to change without notice.

WWW.SAMTEC.COM