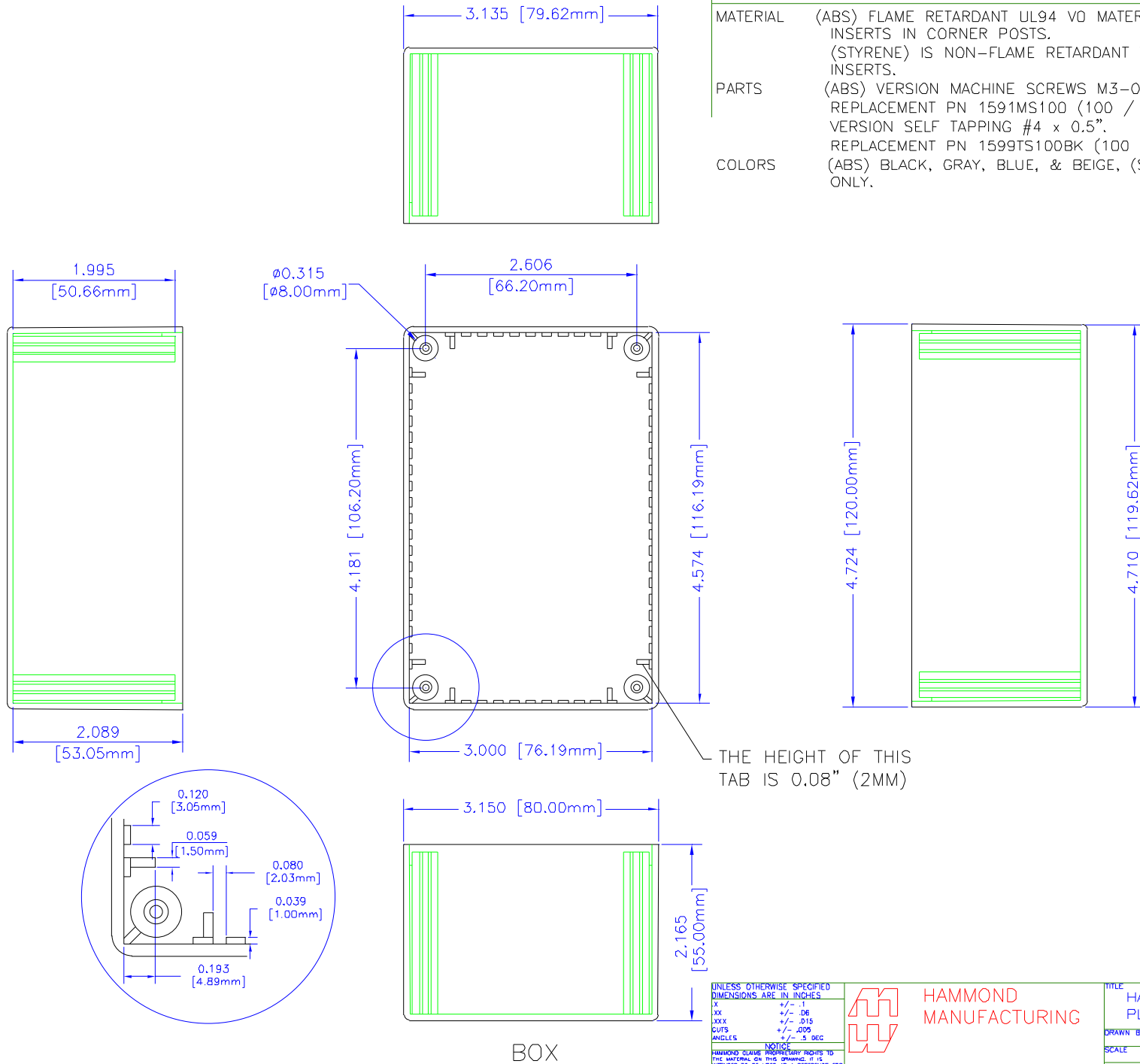


NOTES

- MATERIAL** (ABS) FLAME RETARDANT UL94 VO MATERIAL WITH BRASS INSERTS IN CORNER POSTS.
(STYRENE) IS NON-FLAME RETARDANT WITHOUT BRASS INSERTS.
- PARTS** (ABS) VERSION MACHINE SCREWS M3-0.5 x 10mm.
REPLACEMENT PN 1591MS100 (100 / BAG). (STYRENE) VERSION SELF TAPPING #4 x 0.5".
REPLACEMENT PN 1599TS100BK (100 / BAG).
- COLORS** (ABS) BLACK, GRAY, BLUE, & BEIGE, (STYRENE) BLACK ONLY.



BOX

UNLESS OTHERWISE SPECIFIED
DIMENSIONS ARE IN INCHES
X +/- .1
XX +/- .06
XXX +/- .015
SLOTS +/- .009
ANGLES +/- .5 DEG

NOTICE
HAMMOND CLAIMS PROPRIETARY RIGHTS TO THE MATERIAL ON THIS DRAWING. IT IS INTENDED TO BE USED AS A REFERENCE FOR ENGINEERING INFORMATION ONLY. THIS INFORMATION MAY NOT BE USED TO MANUFACTURE PRODUCT WITHOUT WRITTEN PERMISSION FROM HAMMOND MANUFACTURING.



**HAMMOND
MANUFACTURING**

WEB: WWW.HAMMONDMFG.COM

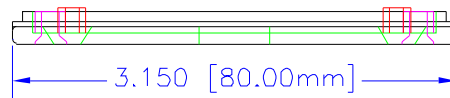
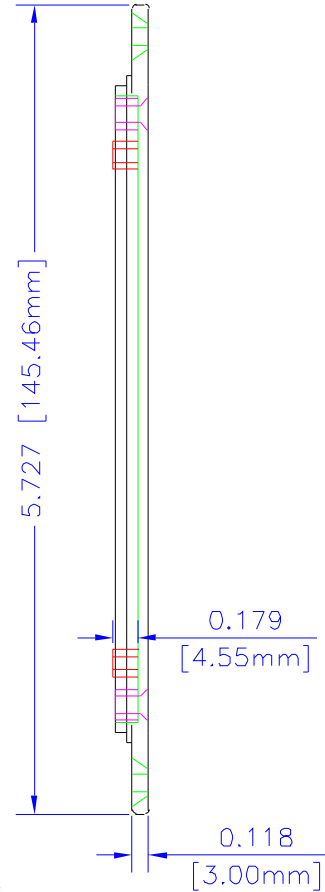
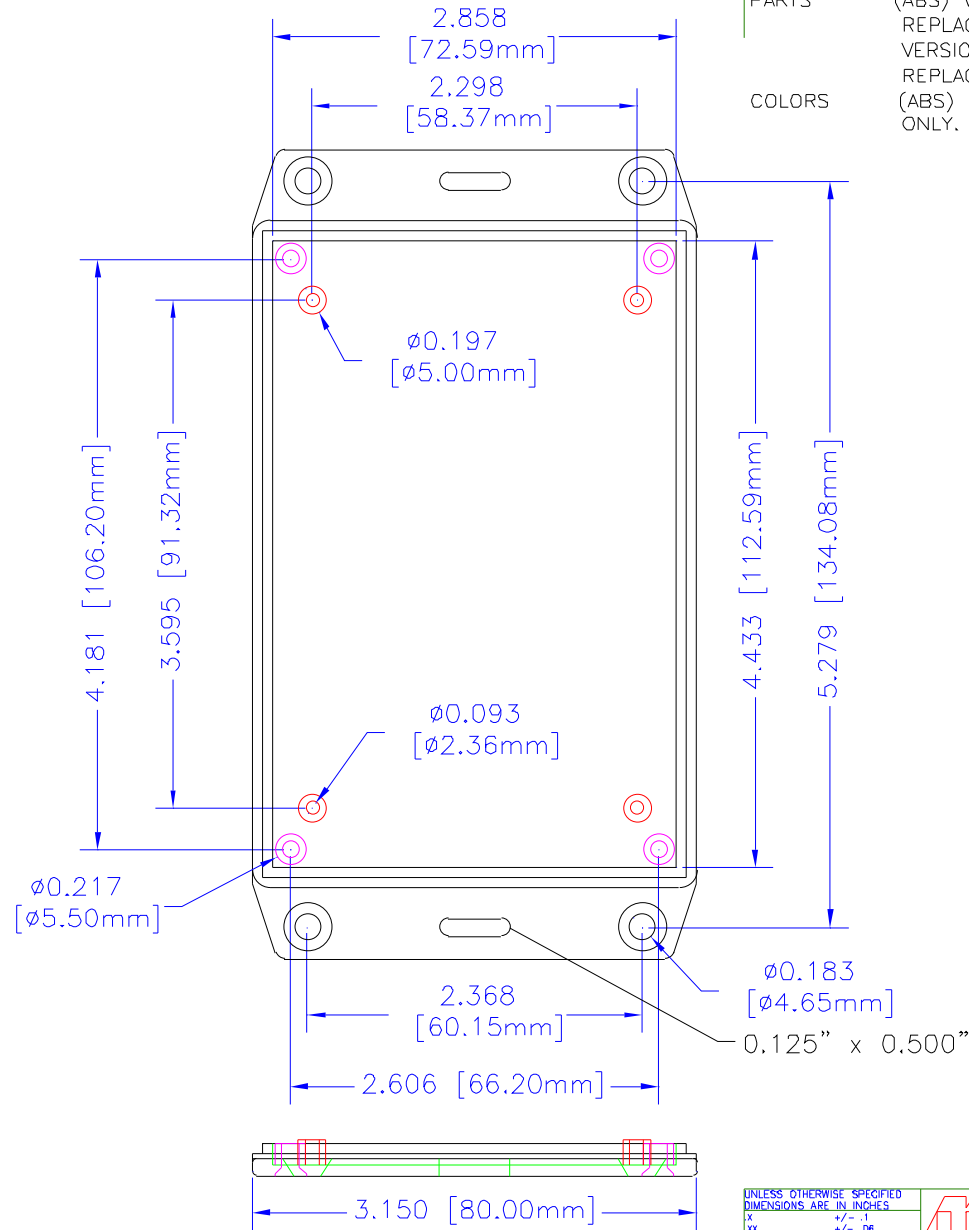
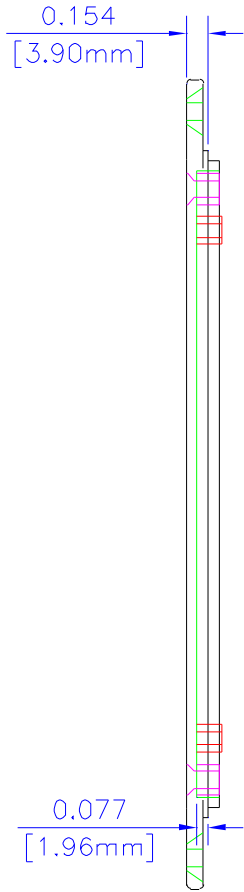
TITLE		HAMMOND 1591 SERIES PLASTIC ENCLOSURE	
DRAWN BY	MJM	DATE	01/25/01
SCALE		PAGE	1 OF 2
PART NUMBER	1591TFL		

NOTES

MATERIAL (ABS) FLAME RETARDANT UL94 V0 MATERIAL WITH BRASS INSERTS IN CORNER POSTS.
 (STYRENE) IS NON-FLAME RETARDANT WITHOUT BRASS INSERTS.

PARTS (ABS) VERSION MACHINE SCREWS M3-0.5 x 10mm.
 REPLACEMENT PN 1591MS100 (100 / BAG). (STYRENE) VERSION SELF TAPPING #4 x 0.5".
 REPLACEMENT PN 1599TS100BK (100 / BAG).

COLORS (ABS) BLACK, GRAY, BLUE, & BEIGE, (STYRENE) BLACK ONLY.



LID

UNLESS OTHERWISE SPECIFIED
 DIMENSIONS ARE IN INCHES

XX +/- .1

XXX +/- .06

XXX +/- .015

CUPS +/- .005

ANGLES +/- .5 DEG

NOTICE
 HAMMOND MANUFACTURING PROPRIETARY RIGHTS TO THE MATERIAL ON THIS DRAWING. IT IS INTENDED TO BE USED AS A REFERENCE FOR ENGINEERING INFORMATION ONLY. THIS INFORMATION MAY NOT BE USED TO MANUFACTURE PRODUCTS WITHOUT WRITTEN PERMISSION FROM HAMMOND MANUFACTURING.



HAMMOND
 MANUFACTURING

WEB: WWW.HAMMONDMFG.COM

TITLE		HAMMOND 1591 SERIES PLASTIC ENCLOSURE	
DRAWN BY	MJM	DATE	01/25/01
SCALE		PAGE	2 OF 2
PART NUMBER	1591TFL		