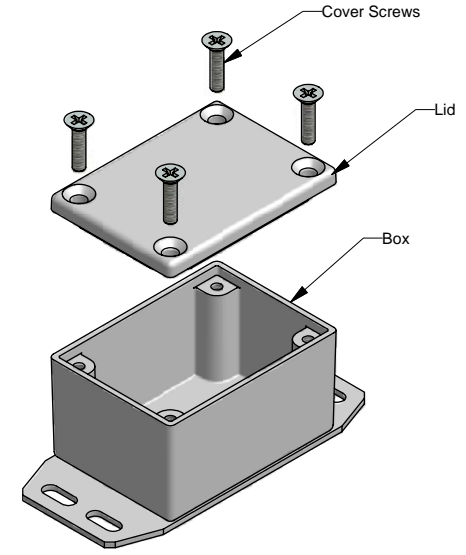
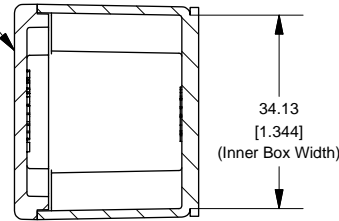
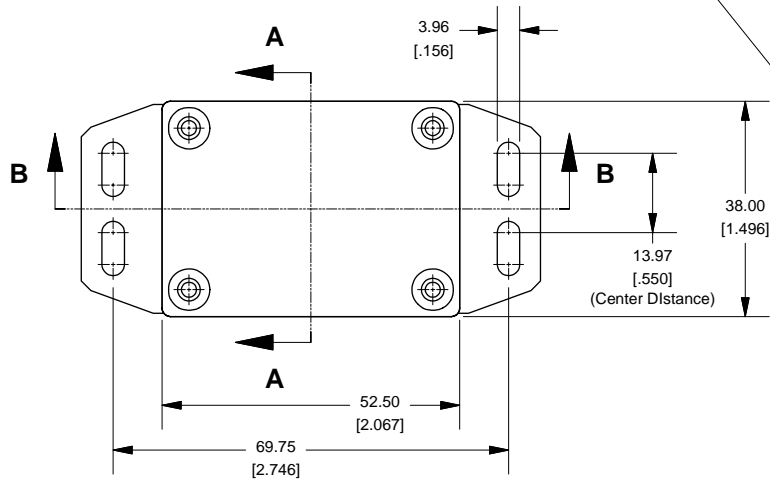


### Top View of Assembly

### SECTION A-A End View of Assembly

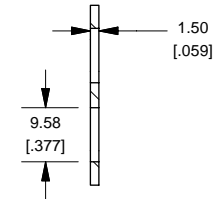
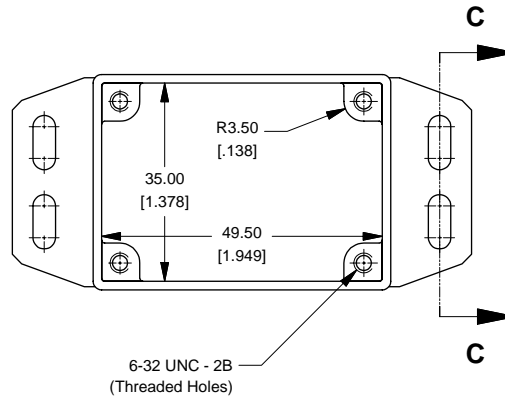
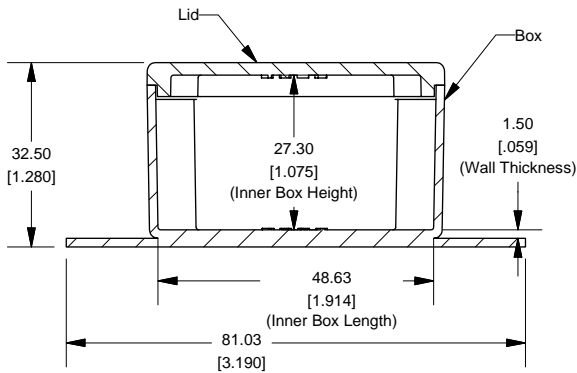
## Series 1590H (Flanged Box)



### SECTION B-B Side View of Assembly

### Top View Looking Inside Box

### SECTION C-C Side View of Slot



**NOTE**  
 Purchased assembly includes box, lid and 4 cover screws.  
 Box and lid are made from Diecast Aluminum Alloy (alloy type 360.1).  
 Flanges are made from Stamped Aluminum 5052-H32

PART NUMBERS	
<b>1590H Enclosure</b>	
Unfinished	1590H
Black Textured Powder Paint	1590HBK
<b>1590H Liquid Resistant Enclosure (Silicon Factory Installed Gasket)</b>	
Unfinished	1590WH
Black Textured Powder Paint	1590WHBK
<b>ACCESSORIES</b>	
Unfinished	
Cover Screws (Pkg 100)	
[6-32 x 1/2" Nickel Plated Screws]	1590MS100
Black Textured Powder Paint	
Cover Screws (Pkg 50)	
[6-32 x 1/2" Stainless Steel Black Screws]	1590MS50BK

### Lid

