

# TERMINAL STRIPS TS, TD & HTS SERIES

## SPECIFICATIONS

For complete specifications see [www.samtec.com?TS](http://www.samtec.com?TS) or [www.samtec.com?TD](http://www.samtec.com?TD)

### TS, TD

**Insulator Material:** Black G.F. Polyester  
**Terminal Material:** Brass, except Style G is Phosphor Bronze  
**Plating:** Au over 50µ" (1,27µm) Ni or Sn over 100µ" (2,54µm) Cu or 50µ" (1,27µm) Ni  
**Operating Temp Range:** -55°C to +125°C with Gold -55°C to +105°C with Tin  
**Current Rating:** 1A  
**RoHS Compliant:** Yes  
**Lead-Free Solderable:** Wave only



**Mates with:** SS, SD, HSS, SL, SDL, ESS, ESD

**Note:** Some lengths, styles and options are non-standard, non-returnable.

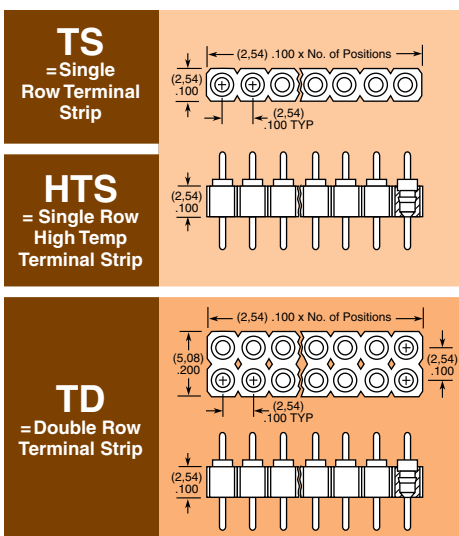
**TYPE STRIP**

**1**

**NO. PINS PER ROW**

**PLATING OPTION**

**LEAD STYLE**



- G**  
= 20µ" (0,51µm) Gold  
Except -J & -L are 10µ" (0,25µm) Gold
- T**  
= Tin
- 01 thru 32**  
=TS Series
- 01 thru 36**  
=HTS & TD Series

## SPECIFICATIONS

For complete specifications see [www.samtec.com?HTS](http://www.samtec.com?HTS)

### HTS

Same as TS except:  
**Insulator Material:** Black Liquid Crystal Polymer  
**Max Processing Temp:** 230°C for 60 seconds, or 260°C for 20 seconds 3x with all Au  
**Lead-Free Solderable:** Wave, or reflow with all Au



### -AA

Component No. = T-1R5-

### -A, -A-1, -A-2

LEAD STYLE	X (DIA)	Y (±.015)
-A	(0,46) .018	(3,96) .156
-A-1	(0,64) .025	(5,33) .210
-A-2	(0,89) .035	(5,33) .210

-A Component No. = T-1R0-  
 -A-X Component No. = T-1R7

### -C, -C-1, -C-2

LEAD STYLE	X (DIA)	Y (±.015)
-C	(0,46) .018	(3,96) .156
-C-1	(0,64) .025	(5,33) .210
-C-2	(0,89) .035	(5,33) .210

-C Component No. = T-1R2-  
 -C-X Component No. = T-1R9-

### -D-1-1, -D-1-2, -D-2-2, -D-3-2, -D-4-2

LEAD STYLE	X (DIA)	Y (±.015)	Z (±.015)
-D-1-1	(0,46) .018	(3,96) .156	(12,95) .510
-D-1-2	(0,64) .025	(3,96) .156	(12,95) .510
-D-2-2*	(0,64) .025	(5,33) .210	(7,87) .310
-D-3-2*	(0,89) .035	(5,33) .210	(7,87) .310
-D-4-2*	(1,14) .045	(5,33) .210	(7,87) .310

\*-D-2-2, -D-3-2, D-4-2 N/A with TD Series

Component No. = T-1S4-

### -G-1

Component No. = T-1R5-

### -J

Component No. = S-1P1-

### -L-1, -L-2, -L-3

LEAD STYLE	Y (DIA)	Z (±.015)
-L-1	(12,95) .510	(17,86) .703
-L-2	(9,14) .360	(14,05) .553
-L-3	(6,60) .260	(11,51) .453

Component No. = S-1W1

### -M

Component No. = T-1S2-

*Due to technical progress, all designs, specifications and components are subject to change without notice.*

[WWW.SAMTEC.COM](http://WWW.SAMTEC.COM)