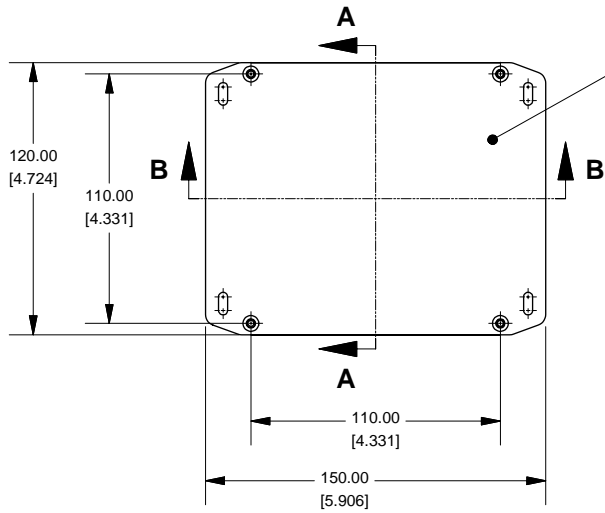
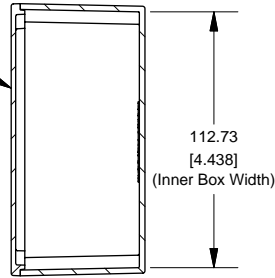


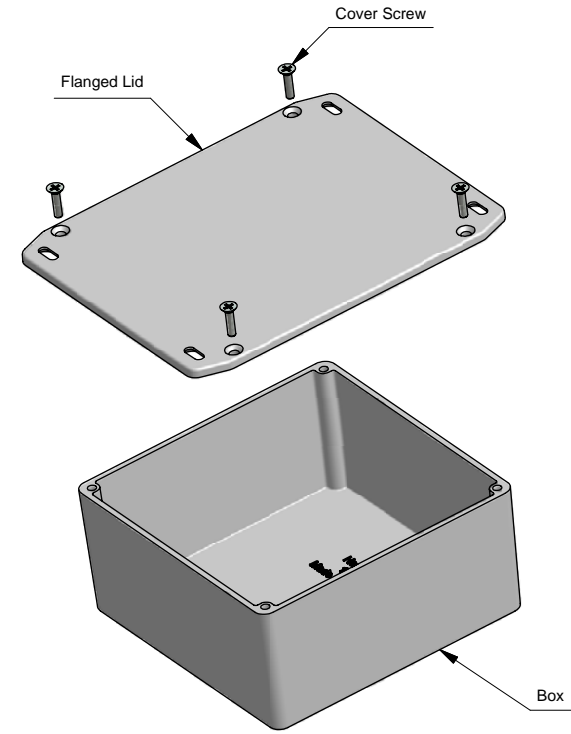
### Top View of Assembly



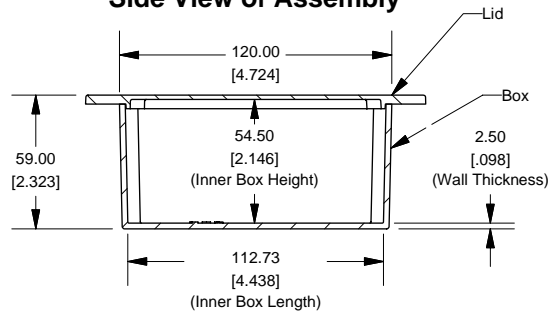
### SECTION A-A End View of Assembly



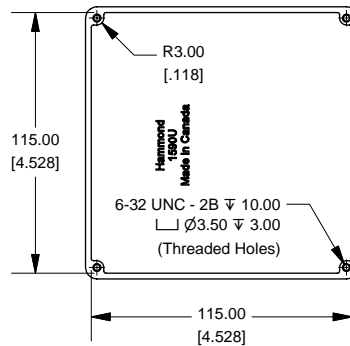
## Series 1590UFL (Flanged Lid)



### SECTION B-B Side View of Assembly



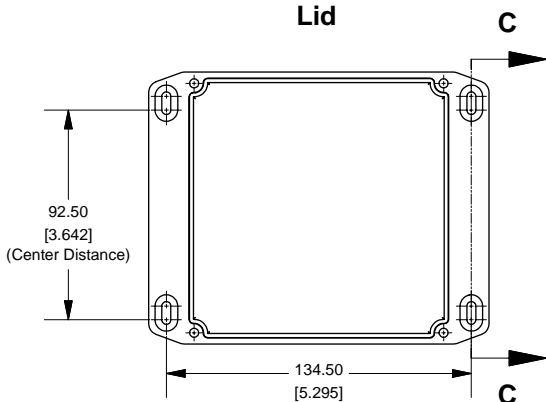
### Top View Looking Inside Box



**NOTE**  
Purchased assembly includes box, lid and 4 cover screws.  
Box and lid are made from Diecast Aluminum Alloy (alloy type 360.1).

PART NUMBERS	
<b>1590UFL Enclosure</b>	
Unfinished	1590UFL
Black Textured Powder Paint	1590UFLBK
<b>1590UFL Liquid Resistant Enclosure (Silicon Factory Installed Gasket)</b>	
Unfinished	1590WUFL
Black Textured Powder Paint	1590WUFLBK
<b>ACCESSORIES</b>	
Unfinished	
Cover Screws (Pkg 100)	1590MS100
[6-32 x 1/2" Nickel Plated Screws]	1590MS100
Black Textured Powder Paint	
Cover Screws (Pkg 50)	1590MS50BK
[6-32 x 1/2" Stainless Steel Black Screws]	1590MS50BK

### Lid



### SECTION C-C Side of Slot

