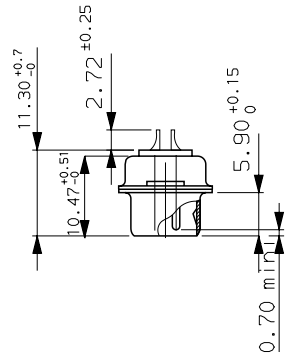
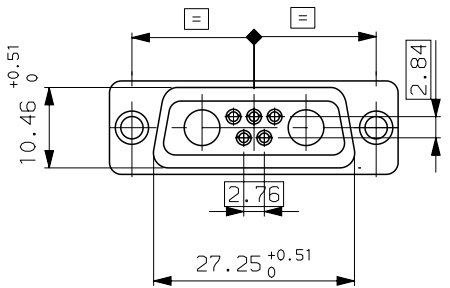
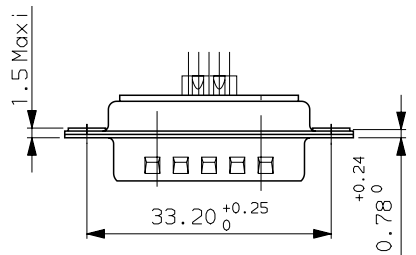
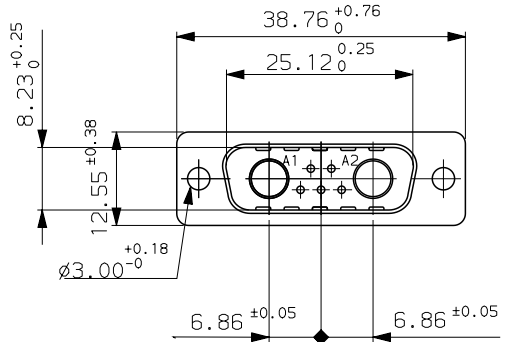
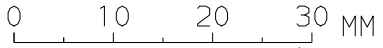


GENERAL CHARACTERISTICS : SEE DRAWING C01-8639-0000



Core range
DA7W2PA00
PART NUMBER



e	16/10/03	update	--
ISS	DATE	Latest modification by : BART.S	MOD N°
Designed by: JOUBERT date 26/01/95			Type of drawing: CUSTOMER
TITLE : PIN CONNECTOR FOR POWERS CONTACTS.			SHEET 1/1
SCALE: 1.5	--		
	FRAMATOME CONNECTORS FRANCE Rue Louis Breguet - BP 05 72024 LE MANS Cedex Tel. 33 (16) 43.84.08.43	This document is the property of FRAMATOME CONNECTORS FRANCE It must not be reproduced or communicated without permission in writing from the owners	
FORMAT A3	SOURIAU DRG N° C01-8639-0443-1	PROJECT M94D001	