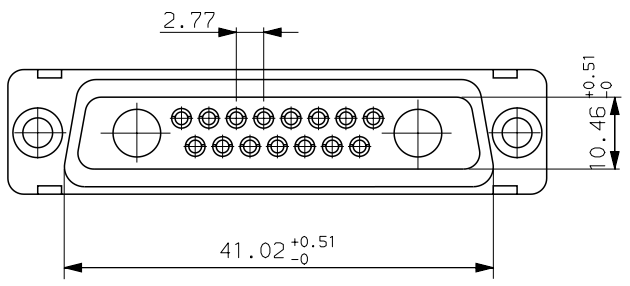
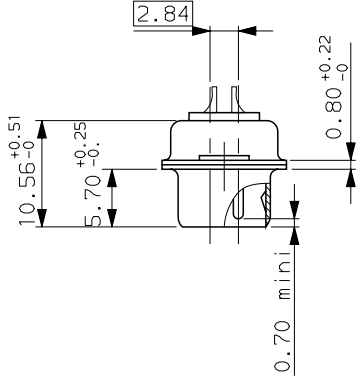
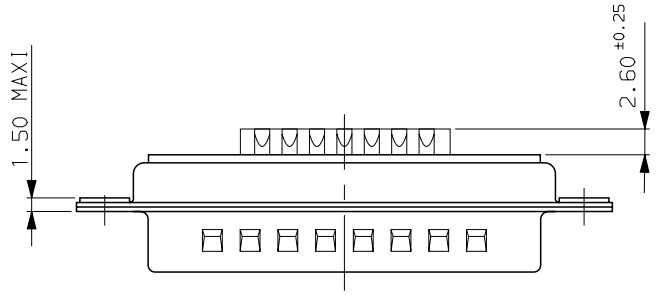
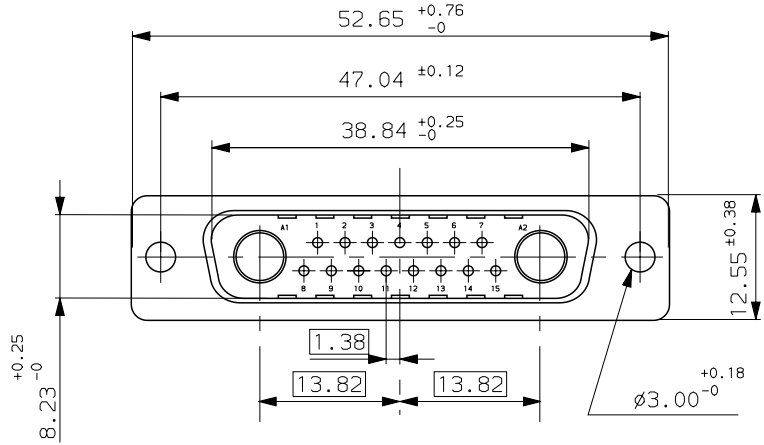
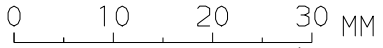


GENERAL CHARACTERISTICS : SEE DRAWING C01-8639-0000



DB17W2PA00  
PART NUMBER



|   |                                 |  |                         |
|---|---------------------------------|--|-------------------------|
| b   | 20/10/03                        | update   | --                      |
| ISS   | DATE                            | Latest modification by :   | MOD N°                  |
| Designed by: JARRY  |                                 | date: 02/07/96   | Type of drawing: CLIENT |
| TITLE : PIN CONNECTOR FOR POWERS CONTACTS   |                                 |  | SHEET 1/1               |
| SCALE: 2  |                                 |  |                         |
| FRAMATOME CONNECTORS FRANCE<br>Rue Louis Breguet - BP 05<br>72024 LE MANS Cedex<br>Tel. 33 (16) 43.84.08.43 |                                 | This document is the property of<br>FRAMATOME CONNECTORS FRANCE<br>It must not be reproduced or<br>communicated without permission in<br>writing from the owners |                         |
| FORMAT<br>A3  | SOURIAU DRG N°<br>C01-8639-0483 |  | PROJECT<br>M94D001      |