

Voltage Detector with Separated Sense Pin & Delay Type Capacitor

GENERAL DESCRIPTION

The XC6108 series is highly precise, low power consumption voltage detector, manufactured using CMOS and laser trimming technologies.

Since the sense pin is separated from power supply, it allows the IC to monitor added power supply.

Using the IC with the sense pin separated from power supply enables output to maintain the state of detection even when voltage of the monitored power supply drops to 0V.

Moreover, with the built-in delay circuit, connecting the delay capacitance pin to the capacitor enables the IC to provide an arbitrary release delay time.

Both CMOS and N-channel open drain output configurations are available.

APPLICATIONS

Microprocessor reset circuitry

Charge voltage monitors

Memory battery back-up switch circuits

Power failure detection circuits

FEATURES

Highly Accurate : $\pm 2\%$ (Setting Detect Voltage = 1.5V)
 : $\pm 30\text{mV}$ (Setting Detect Voltage < 1.5V)

Ultra Low Power Consumption
 : 0.8 μA (TYP.) ($V_{\text{IN}} = 2.0\text{V}$)

Detect Voltage Range : 0.8V ~ 5.0V in 100mV increments

Operating Voltage Range : 1.0V ~ 6.0V

Detect Voltage Temperature Characteristics
 : $\pm 100\text{ppm}/^\circ\text{C}$ (TYP.)

Output Configuration : CMOS or N-channel open drain

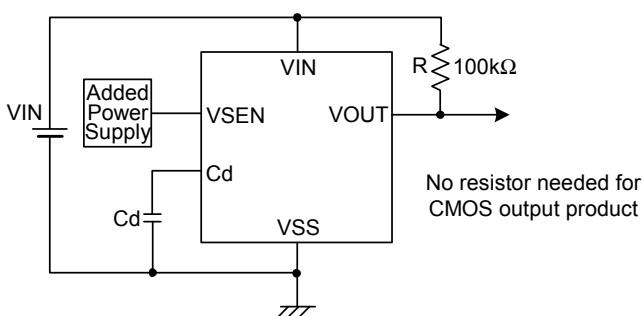
Operating Temperature Range
 : -40 ~ +85

Separated Sense Pin

Built-In Delay Circuit, Delay Capacitance Pin Available

Ultra Small Package : USP-4
 SOT-25

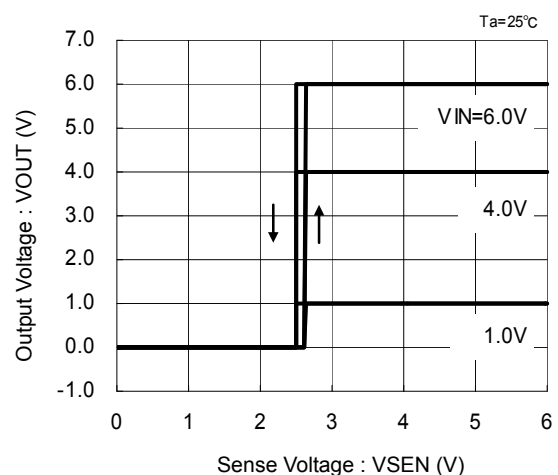
TYPICAL APPLICATION CIRCUIT



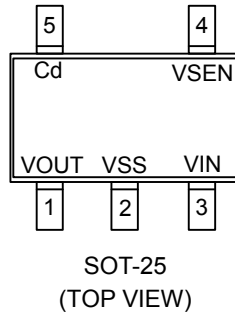
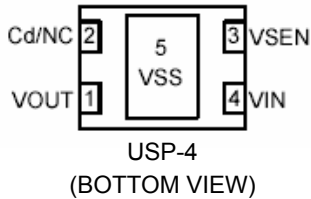
TYPICAL PERFORMANCE CHARACTERISTICS

Output Voltage vs. Sense Voltage

XC6108C25AGR



PIN CONFIGURATION



- * In the XC6108xxxA/B series, the dissipation pad should not be short-circuited with other pins.
- * In the XC6108xxxC/D series, when the dissipation pad is short-circuited with other pins, connect it to the NC pin (pin No.2) before use.

PIN ASSIGNMENT

PIN NUMBER		PIN NAME	FUNCTION
USP-4	SOT-25		
1	1	VOUT	Output (Detect "L")
2	5	Cd	Delay Capacitance (*1)
2	-	NC	No Connection
3	4	VSEN	Sense
4	3	VIN	Input
5	2	VSS	Ground (*2)

NOTE:

- *1: With the VSS pin of the USP-4 package, a tab on the backside is used as the pin No.5.
- *2: In the case of selecting no built-in delay capacitance pin type, the delay capacitance (Cd) pin will be used as the N.C.

PRODUCT CLASSIFICATION

Ordering Information

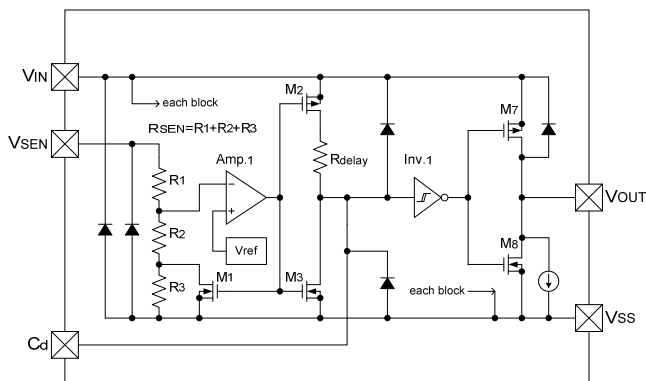
XC6108 _____

DESIGNATOR	DESCRIPTION	SYMBOL	DESCRIPTION
	Output Configuration	C	: CMOS output
		N	: N-ch open drain output
	Detect Voltage	08 ~ 50	: e.g. 18 1.8V
	Output Delay & Hysteresis (Options)	A	: Built-in delay capacitance pin, hysteresis 5% (TYP.)(Standard*)
		B	: Built-in delay capacitance pin, hysteresis less than 1%(Standard*)
		C	: No built-in delay capacitance pin, hysteresis 5% (TYP.) (Semi-custom)
		D	: No built-in delay capacitance pin, hysteresis less than 1% (Semi-custom)
	Package	G	: USP-4
		M	: SOT-25
	Device Orientation	R	: Embossed tape, standard feed
		L	: Embossed tape, reverse feed

*When delay function isn't used, open the delay capacitance pin before use.

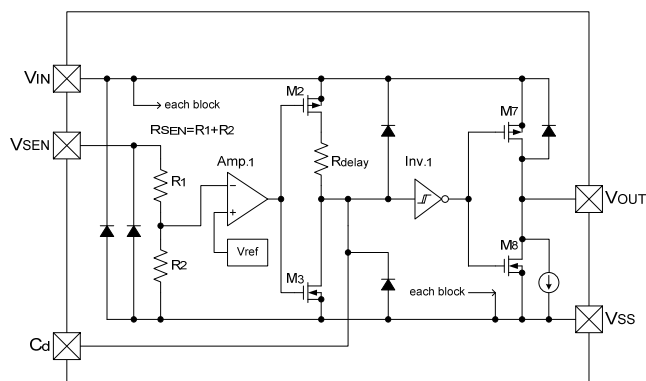
BLOCK DIAGRAMS

(1) XC6108CxxA



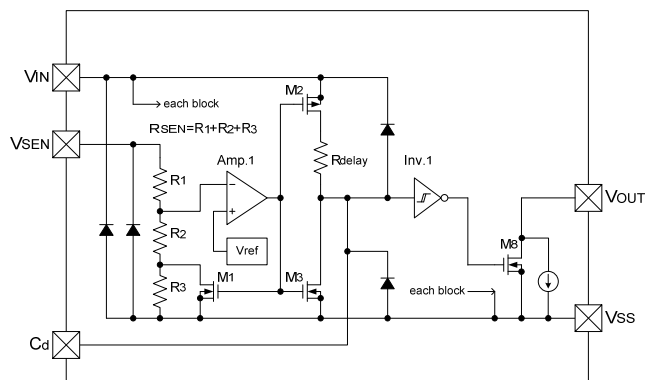
*The delay capacitance pin (Cd) is not connected to the circuit in the block diagram of XC6108CxxC (semi-custom).

(2) XC6108CxxB



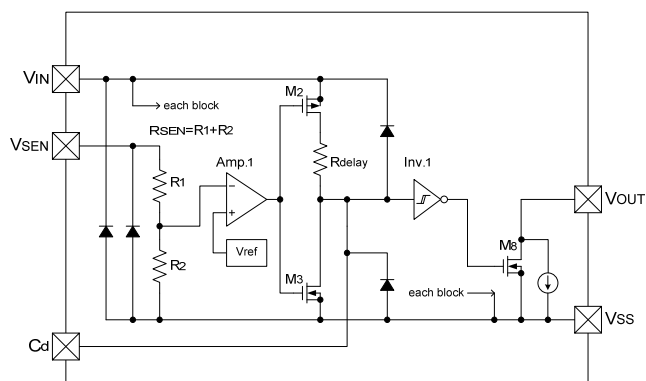
*The delay capacitance pin (Cd) is not connected to the circuit in the block diagram of XC6108CxxD (semi-custom).

(3) XC6108NxxA



*The delay capacitance pin (Cd) is not connected to the circuit in the block diagram of XC6108NxxC (semi-custom).

(4) XC6108NxxB



*The delay capacitance pin (Cd) is not connected to the circuit in the block diagram of XC6108NxxD (semi-custom).

ABSOLUTE MAXIMUM RATINGS

XC6108xxxA/B

Ta = 25°C

PARAMETER		SYMBOL	RATINGS	UNITS
Input Voltage		V _{IN}	V _{SS} - 0.3 ~ 7.0	V
Output Current		I _{OUT}	10	mA
Output Voltage	XC6108C (*1)	V _{OUT}	V _{SS} - 0.3 ~ V _{IN} + 0.3	V
	XC6108N (*2)		V _{SS} - 0.3 ~ 7.0	
Sense Pin Voltage		V _{SEN}	V _{SS} - 0.3 ~ 7.0	V
Delay Capacitance Pin Voltage		V _{CD}	V _{SS} - 0.3 ~ V _{IN} + 0.3	V
Delay Capacitance Pin Current		I _{CD}	5.0	mA
Power Dissipation	USP-4	P _d	120	mW
	SOT-25		250	
Operating Temperature Range		T _a	- 40 ~ + 85	
Storage Temperature Range		T _{stg}	- 55 ~ + 125	

XC6108xxxC/D

Ta = 25°C

PARAMETER		SYMBOL	RATINGS	UNITS
Input Voltage		V _{IN}	V _{SS} - 0.3 ~ 7.0	V
Output Current		I _{OUT}	10	mA
Output Voltage	XC6108C (*1)	V _{OUT}	V _{SS} - 0.3 ~ V _{IN} + 0.3	V
	XC6108N (*2)		V _{SS} - 0.3 ~ 7.0	
Sense Pin Voltage		V _{SEN}	V _{SS} - 0.3 ~ 7.0	V
Power Dissipation	USP-4	P _d	120	mW
	SOT-25		250	
Operating Temperature Range		T _a	- 40 ~ + 85	
Storage Temperature Range		T _{stg}	- 55 ~ + 125	

NOTE:

*1: CMOS output

*2: N-ch open drain output

ELECTRICAL CHARACTERISTICS

XC6108xxxA

Ta=25

PARAMETER	SYMBOL	CONDITIONS	MIN.	TYP.	MAX.	UNITS	CIRCUITS	
Operating Voltage	V _{IN}	V _{DF(T)} = 0.8 ~ 5.0V (*1)	1.0	-	6.0	V	-	
Detect Voltage	V _{DF}	V _{IN} = 1.0 ~ 6.0V	E-1			V	1	
Hysteresis Range1	V _{HYS1}	V _{IN} = 1.0 ~ 6.0V	E-2			V	1	
Detect Voltage Line Regulation	$\frac{V_{DF}}{V_{IN} \cdot V_{DF}}$	V _{IN} = 1.0 ~ 6.0V	-	±0.1	-	%/V	1	
Supply Current 1 (*2)	ISS1	V _{SEN} = V _{DF} x 0.9	V _{IN} = 1.0V	-	0.6	1.5	μA	2
			V _{IN} = 6.0V	-	0.7	1.6		
Supply Current 2 (*2)	ISS2	V _{SEN} = V _{DF} x 1.1	V _{IN} = 1.0V	-	0.8	1.7	μA	2
			V _{IN} = 6.0V	-	0.9	1.8		
Output Current (*3)	I _{OUT}	V _{SEN} = 0V	V _{IN} = 1.0V	0.08	0.20	-	mA	3
		V _{DS} = 0.5V (N-ch)	V _{IN} = 6.0V	1.20	2.00	-		
		V _{SEN} = 6.0V	V _{IN} = 1.0V	-	-0.30	-0.08	mA	4
V _{DS} = 0.5V (P-ch)	V _{IN} = 6.0V	-	-2.00	-0.70				
Temperature Characteristics	$\frac{V_{DF}}{T_a \cdot V_{DF}}$	-40 T _a 85	-	±100	-	ppm/	1	
Sense Resistance (*4)	R _{SEN}	V _{SEN} = 5.0V, V _{IN} = 0V	E-4			MΩ	5	
Delay Resistance (*5)	R _{delay}	V _{SEN} = 6.0V, V _{IN} = 5.0V, C _d = 0V	1.6	2.0	2.4	MΩ	6	
Delay capacitance pin Sink Current	I _{CD}	V _{DS} = 0.5V, V _{IN} = 1.0V	-	200	-	μA	6	
Delay Capacitance Pin Threshold Voltage	V _{TCD}	V _{SEN} = 6.0V, V _{IN} = 1.0V	0.4	0.5	0.6	V	7	
		V _{SEN} = 6.0V, V _{IN} = 6.0V	2.9	3.0	3.1			
Unspecified Operating Voltage (*6)	V _{UNS}	V _{IN} = V _{SEN} = 0V ~ 0.7V	-	0.3	0.4	V	8	
Detect Delay Time (*7)	T _{DF0}	V _{IN} = 6.0V, V _{SEN} = 6.0V 0.0V C _d : Open		30	230	μs	9	
Release Delay Time (*8)	T _{DR0}	V _{IN} = 6.0V, V _{SEN} = 0.0V 6.0V C _d : Open		30	200	μs	9	

NOTE:

*1: V_{DF(T)}: Setting detect voltage

*2: Current flows the sense resistor is not included.

*3: This numerical value is applied only to the XC6108C series (CMOS output).

*4: Calculated from the voltage value and the current value of the V_{SEN}.

*5: Calculated from the voltage value of the V_{IN} and the current value of the C_d.

*6: The maximum voltage of the V_{OUT} in the range of the V_{IN} 0V to 0.7V when the V_{IN} and the V_{SEN} are short-circuited

This numerical value is applied only to the XC6108C series (CMOS output).

*7: Time which ranges from the state of V_{SEN}=V_{DF} to the V_{OUT} reaching 0.6V when the V_{SEN} falls without connecting to the C_d pin.

*8: Time which ranges from the state of V_{IN}= V_{DF} +V_{HYS} to the V_{OUT} reaching 5.4V when the V_{SEN} rises without connecting to the C_d pin.

ELECTRICAL CHARACTERISTICS (Continued)

XC6108xxxB

Ta=25

PARAMETER	SYMBOL	CONDITIONS	MIN.	TYP.	MAX.	UNITS	CIRCUITS	
Operating Voltage	V _{IN}	V _{DF(T)} = 0.8 ~ 5.0V (*1)	1.0	-	6.0	V	-	
Detect Voltage	V _{DF}	V _{IN} = 1.0 ~ 6.0V	E-1			V	1	
Hysteresis Range1	V _{HYS1}	V _{IN} = 1.0 ~ 6.0V	E-3			V	1	
Detect Voltage Line Regulation	$\frac{V_{DF}}{V_{IN} \cdot V_{DF}}$	V _{IN} = 1.0 ~ 6.0V	-	±0.1	-	%/V	1	
Supply Current 1 (*2)	ISS1	V _{SEN} = V _{DF} x 0.9	V _{IN} = 1.0V	-	0.6	1.5	μA	2
			V _{IN} = 6.0V	-	0.7	1.6		
Supply Current 2 (*2)	ISS2	V _{SEN} = V _{DF} x 1.1	V _{IN} = 1.0V	-	0.8	1.7	μA	2
			V _{IN} = 6.0V	-	0.9	1.8		
Output Current (*3)	I _{OUT}	V _{SEN} = 0V	V _{IN} = 1.0V	0.08	0.20	-	mA	3
		V _{DS} = 0.5V (N-ch)	V _{IN} = 6.0V	1.20	2.00	-		
		V _{SEN} = 6.0V	V _{IN} = 1.0V	-	-0.30	-0.08	mA	4
V _{DS} = 0.5V (P-ch)	V _{IN} = 6.0V	-	-2.00	-0.70				
Temperature Characteristics	$\frac{V_{DF}}{Ta \cdot V_{DF}}$	-40 Ta 85	-	±100	-	ppm/	1	
Sense Resistance (*4)	R _{SEN}	V _{SEN} = 5.0V, V _{IN} = 0V	E-4			MΩ	5	
Delay Resistance (*5)	R _{delay}	V _{SEN} = 6.0V, V _{IN} = 5.0V, C _d = 0V	1.6	2.0	2.4	MΩ	6	
Delay capacitance pin Sink Current	I _{CD}	V _{DS} = 0.5V, V _{IN} = 1.0V	-	200	-	μA	6	
Delay Capacitance Pin Threshold Voltage	V _{TCD}	V _{SEN} = 6.0V, V _{IN} = 1.0V	0.4	0.5	0.6	V	7	
		V _{SEN} = 6.0V, V _{IN} = 6.0V	2.9	3.0	3.1			
Unspecified Operating Voltage (*6)	V _{UNS}	V _{IN} = V _{SEN} = 0V ~ 0.7V	-	0.3	0.4	V	8	
Detect Delay Time (*7)	T _{DF0}	V _{IN} = 6.0V, V _{SEN} = 6.0V 0.0V C _d : Open		30	230	μs	9	
Release Delay Time (*8)	T _{DR0}	V _{IN} = 6.0V, V _{SEN} = 0.0V 6.0V C _d : Open		30	200	μs	9	

NOTE:

*1: V_{DF(T)}: Setting detect voltage

*2: Current flows the sense resistor is not included.

*3: This numerical value is applied only to the XC6108C series (CMOS output).

*4: Calculated from the voltage value and the current value of the V_{SEN}.

*5: Calculated from the voltage value of the V_{IN} and the current value of the C_d.

*6: The maximum voltage of the V_{OUT} in the range of the V_{IN} 0V to 0.7V when the V_{IN} and the V_{SEN} are short-circuited

This numerical value is applied only to the XC6108C series (CMOS output).

*7: Time which ranges from the state of V_{SEN}=V_{DF} to the V_{OUT} reaching 0.6V when the V_{SEN} falls without connecting to the C_d pin.

*8: Time which ranges from the state of V_{IN}= V_{DF} +V_{HYS} to the V_{OUT} reaching 5.4V when the V_{SEN} rises without connecting to the C_d pin.

ELECTRICAL CHARACTERISTICS (Continued)

XC6108xxxC

Ta=25

PARAMETER	SYMBOL	CONDITIONS	MIN.	TYP.	MAX.	UNITS	CIRCUITS	
Operating Voltage	V _{IN}	V _{DF(T)} = 0.8 ~ 5.0V (*1)	1.0	-	6.0	V	-	
Detect Voltage	V _{DF}	V _{IN} = 1.0 ~ 6.0V	E-1			V	1	
Hysteresis Range1	V _{HYS1}	V _{IN} = 1.0 ~ 6.0V	E-2			V	1	
Detect Voltage Line Regulation	$\frac{V_{DF}}{V_{IN} \cdot V_{DF}}$	V _{IN} = 1.0 ~ 6.0V	-	±0.1	-	%/V	1	
Supply Current 1 (*2)	ISS1	V _{SEN} =	V _{IN} = 1.0V	-	0.6	1.5	μA	2
		V _{DF} x 0.9	V _{IN} = 6.0V	-	0.7	1.6		
Supply Current 2 (*2)	ISS2	V _{SEN} =	V _{IN} = 1.0V	-	0.8	1.7	μA	2
		V _{DF} x 1.1	V _{IN} = 6.0V	-	0.9	1.8		
Output Current (*3)	I _{OUT}	V _{SEN} = 0V	V _{IN} = 1.0V	0.08	0.20	-	mA	3
		V _{DS} = 0.5V (N-ch)	V _{IN} = 6.0V	1.20	2.00	-		
		V _{SEN} = 6.0V	V _{IN} = 1.0V	-	-0.30	-0.08	mA	4
		V _{DS} = 0.5V (P-ch)	V _{IN} = 6.0V	-	-2.00	-0.70		
Temperature Characteristics	$\frac{V_{DF}}{T_a \cdot V_{DF}}$	-40 T _a 85	-	±100	-	ppm/	1	
Sense Resistance (*4)	R _{SEN}	V _{SEN} = 5.0V, V _{IN} = 0V	E-4			MΩ	5	
Unspecified Operating Voltage (*5)	V _{UNS}	V _{IN} = V _{SEN} = 0V ~ 0.7V	-	0.3	0.4	V	7	
Detect Delay Time (*6)	T _{DF0}	V _{IN} = 6.0V, V _{SEN} = 6.0V 0.0V		30	230	μs	9	
Release Delay Time (*7)	T _{DR0}	V _{IN} = 6.0V, V _{SEN} = 0.0V 6.0V		30	200	μs	9	

NOTE:

*1: V_{DF(T)}: Setting detect voltage

*2: Current flows the sense resistor is not included.

*3: This numerical value is applied only to the XC6108C series (CMOS output).

*4: Calculated from the voltage value and the current value of the V_{SEN}.

*5: The maximum voltage of the V_{OUT} in the range of the V_{IN} 0V to 0.7V when the V_{IN} and the V_{SEN} are short-circuited
This numerical value is applied only to the XC6108C series (CMOS output).

*6: Time which ranges from the state of V_{SEN}=V_{DF} to the V_{OUT} reaching 0.6V when the V_{SEN} falls.

*7: Time which ranges from the state of V_{IN}= V_{DF} +V_{HYS} to the V_{OUT} reaching 5.4V when the V_{SEN} rises.

ELECTRICAL CHARACTERISTICS (Continued)

XC6108xxxD

Ta=25

PARAMETER	SYMBOL	CONDITIONS	MIN.	TYP.	MAX.	UNITS	CIRCUITS	
Operating Voltage	V _{IN}	V _{DF(T)} = 0.8 ~ 5.0V (*1)	1.0	-	6.0	V	-	
Detect Voltage	V _{DF}	V _{IN} = 1.0 ~ 6.0V	E-1			V	1	
Hysteresis Range1	V _{HYS1}	V _{IN} = 1.0 ~ 6.0V	E-3			V	1	
Detect Voltage Line Regulation	$\frac{V_{DF}}{V_{IN} \cdot V_{DF}}$	V _{IN} = 1.0 ~ 6.0V	-	±0.1	-	%/V	1	
Supply Current 1 (*2)	I _{SS1}	V _{SEN} = V _{DF} x 0.9	V _{IN} = 1.0V	-	0.6	1.5	μA	2
			V _{IN} = 6.0V	-	0.7	1.6		
Supply Current 2 (*2)	I _{SS2}	V _{SEN} = V _{DF} x 1.1	V _{IN} = 1.0V	-	0.8	1.7	μA	2
			V _{IN} = 6.0V	-	0.9	1.8		
Output Current (*3)	I _{OUT}	V _{SEN} = 0V V _{DS} = 0.5V (N-ch)	V _{IN} = 1.0V	0.08	0.20	-	mA	3
			V _{IN} = 6.0V	1.20	2.00	-		
		V _{SEN} = 6.0V V _{DS} = 0.5V (P-ch)	V _{IN} = 1.0V	-	-0.30	-0.08	mA	4
			V _{IN} = 6.0V	-	-2.00	-0.70		
Temperature Characteristics	$\frac{V_{DF}}{T_a \cdot V_{DF}}$	-40 T _a 85	-	±100	-	ppm/	1	
Sense Resistance (*4)	R _{SEN}	V _{SEN} = 5.0V, V _{IN} = 0V	E-4			MΩ	5	
Unspecified Operating Voltage (*5)	V _{UNS}	V _{IN} = V _{SEN} = 0V ~ 0.7V	-	0.3	0.4	V	7	
Detect Delay Time (*6)	T _{DF0}	V _{IN} = 6.0V, V _{SEN} = 6.0V 0.0V		30	230	μs	9	
Release Delay Time (*7)	T _{DR0}	V _{IN} = 6.0V, V _{SEN} = 0.0V 6.0V		30	200	μs	9	

NOTE:

*1: V_{DF(T)}: Setting detect voltage

*2: Current flows the sense resistor is not included.

*3: This numerical value is applied only to the XC6108C series (CMOS output).

*4: Calculated from the voltage value and the current value of the V_{SEN}.

*5: The maximum voltage of the V_{OUT} in the range of the V_{IN} 0V to 0.7V when the V_{IN} and the V_{SEN} are short-circuited
This numerical value is applied only to the XC6108C series (CMOS output).

*6: Time which ranges from the state of V_{SEN}=V_{DF} to the V_{OUT} reaching 0.6V when the V_{SEN} falls.

*7: Time which ranges from the state of V_{IN}= V_{DF} +V_{HYS} to the V_{OUT} reaching 5.4V when the V_{SEN} rises.

VOLTAGE CHART

SYMBOL	E-1		E-2		E-3		E-4			
SETTING OUTPUT VOLTAGE	DETECT VOLTAGE (*1) (V)		HYSTERESIS RANGE (V)		HYSTERESIS RANGE (V)		SENSE RESISTANCE (Ω)			
VDF(T) (V)	VDF		VHYS		VHYS		RSEN			
	MIN.	MAX.	MIN.	MAX.	MIN.	MAX.	MIN.	TYP.		
0.8	0.770	0.830	0.015	0.066	0	0.008	10	20		
0.9	0.870	0.930	0.017	0.074		0.009				
1.0	0.970	1.030	0.019	0.082		0.010				
1.1	1.070	1.130	0.021	0.090		0.011				
1.2	1.170	1.230	0.023	0.098		0.012				
1.3	1.270	1.330	0.025	0.106		0.013				
1.4	1.370	1.430	0.027	0.114		0.014				
1.5	1.470	1.530	0.029	0.122		0.015				
1.6	1.568	1.632	0.031	0.131		0.016				
1.7	1.666	1.734	0.033	0.085		0.017				
1.8	1.764	1.836	0.035	0.147		0.018				
1.9	1.862	1.938	0.037	0.155		0.019				
2.0	1.960	2.040	0.039	0.163		0.020			13	24
2.1	2.058	2.142	0.041	0.171		0.021				
2.2	2.156	2.244	0.043	0.180		0.022				
2.3	2.254	2.346	0.045	0.188		0.023				
2.4	2.352	2.448	0.047	0.196		0.024				
2.5	2.450	2.550	0.049	0.204		0.026				
2.6	2.548	2.652	0.051	0.212		0.027				
2.7	2.646	2.754	0.053	0.220	0.028					
2.8	2.744	2.856	0.055	0.228	0.029					
2.9	2.842	2.958	0.057	0.237	0.030					
3.0	2.940	3.060	0.059	0.245	0.031					
3.1	3.038	3.162	0.061	0.253	0.032					
3.2	3.136	3.264	0.063	0.261	0.033					
3.3	3.234	3.366	0.065	0.269	0.034					
3.4	3.332	3.468	0.067	0.277	0.035					
3.5	3.430	3.570	0.069	0.286	0.036					
3.6	3.528	3.672	0.071	0.294	0.037					
3.7	3.626	3.774	0.073	0.302	0.038					
3.8	3.724	3.876	0.074	0.310	0.039					
3.9	3.822	3.978	0.076	0.318	0.040	15	28			
4.0	3.920	4.080	0.078	0.326	0.041					
4.1	4.018	4.182	0.080	0.335	0.042					
4.2	4.116	4.284	0.082	0.343	0.043					
4.3	4.214	4.386	0.084	0.351	0.044					
4.4	4.312	4.488	0.086	0.359	0.045					
4.5	4.410	4.590	0.088	0.367	0.046					
4.6	4.508	4.692	0.090	0.375	0.047					
4.7	4.606	4.794	0.092	0.384	0.048					
4.8	4.704	4.896	0.094	0.392	0.049					
4.9	4.802	4.998	0.096	0.400	0.050					
5.0	4.900	5.100	0.098	0.408	0.051					

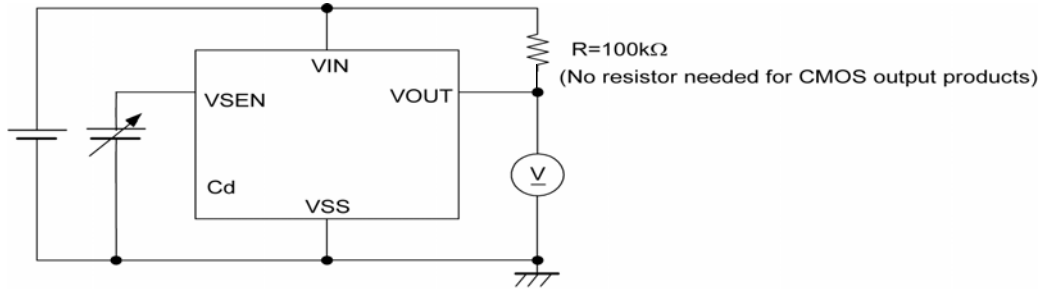
NOTE:

*1: When VDF(T) 1.4V, the detection accuracy is $\pm 30\text{mV}$.

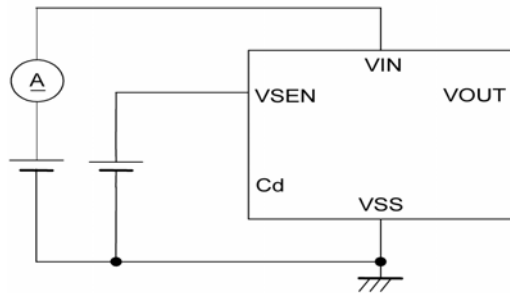
When VDF(T) 1.5V, the detection accuracy is $\pm 2\%$.

TEST CIRCUITS

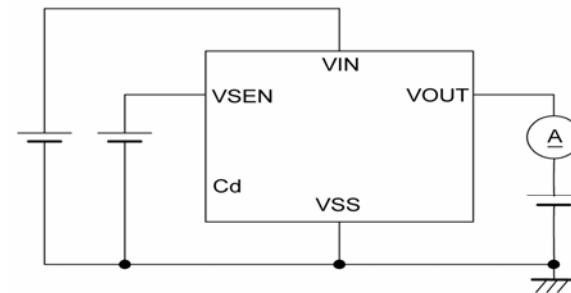
Circuit 1



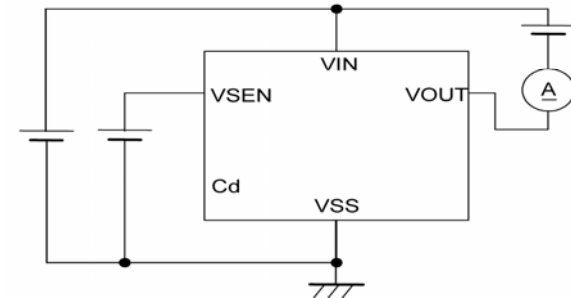
Circuit 2



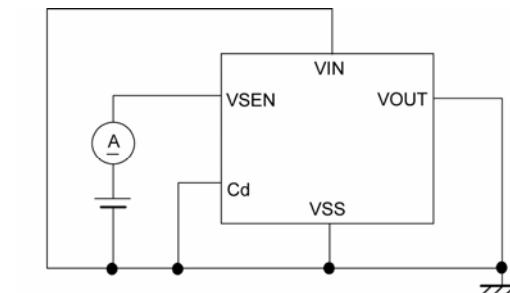
Circuit 3



Circuit 4

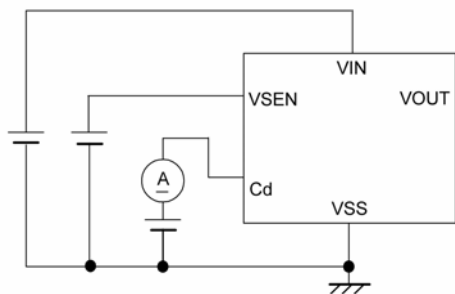


Circuit 5

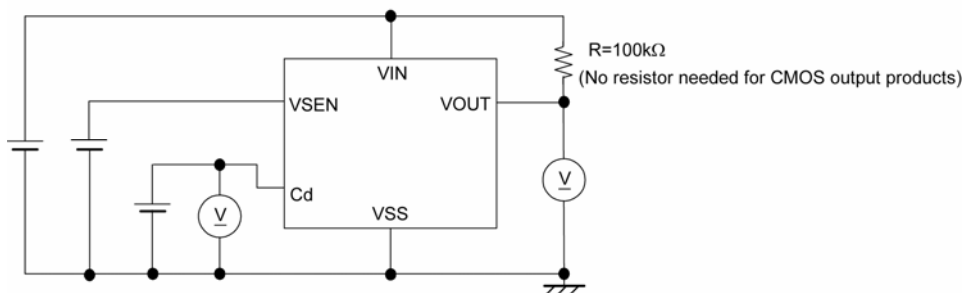


TEST CIRCUITS (Continued)

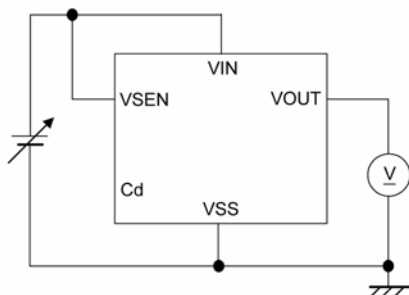
Circuit 6



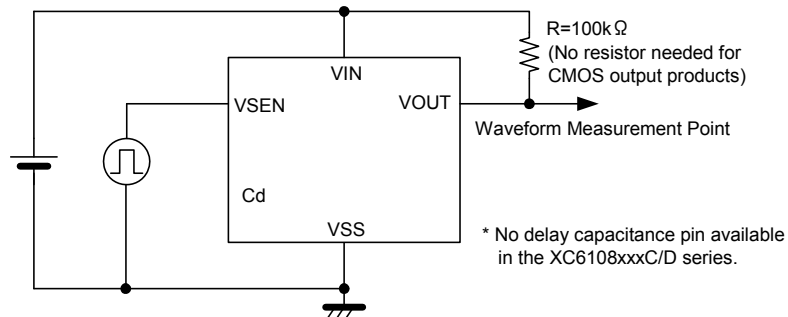
Circuit 7



Circuit 8



Circuit 9



OPERATIONAL EXPLANATION

A typical circuit example is shown in Figure 1, and the timing chart of Figure 1 is shown in Figure 2 on page 14.

As an early state, the sense pin is applied sufficiently high voltage (6.0V MAX.) and the delay capacitance (Cd) is charged to the power supply input voltage, (VIN: 1.0V MIN., 6.0V MAX.). While the sense pin voltage (VSEN) starts dropping to reach the detect voltage (VDF) (VSEN>VDF), the output voltage (VOUT) keeps the "High" level (=VIN).

* If a pull-up resistor of the XC6108N series (N-ch open drain) is connected to added power supply different from the input voltage pin, the "High" level will be a voltage value where the pull-up resistor is connected.

When the sense pin voltage keeps dropping and becomes equal to the detect voltage (VSEN =VDF), an N-ch transistor (M3) for the delay capacitance (Cd) discharge is turned ON, and starts to discharge the delay capacitance (Cd). An inverter (Inv.1) operates as a comparator of the reference voltage VIN, and the output voltage changes into the "Low" level (=VSS). The detect delay time [TDF] is defined as time which ranges from VSEN=VDF to the VOUT of "Low" level (especially, when the Cd pin is not connected: TDF0).

While the sense pin voltage keeps below the detect voltage, the delay capacitance (Cd) is discharged to the ground voltage (=VSS) level. Then, the output voltage maintains the "Low" level while the sense pin voltage increases again to reach the release voltage (VSEN< VDF +VHYS).

When the sense pin voltage continues to increase up to the release voltage level (VDF+VHYS), the N-ch transistor (M3) for the delay capacitance (Cd) discharge will be turned OFF, and the delay capacitance (Cd) will start discharging via a delay resistor (Rdelay). The inverter (Inv.1) will operate as a comparator (Rise Logic Threshold: VTLH=VTCD, Fall Logic Threshold: VTHL=VSS) while the sense pin voltage keeps higher than the detect voltage (VSEN > VDF).

While the delay capacitance pin voltage (VCD) rises to reach the delay capacitance pin threshold voltage (VTCD) with the sense pin voltage equal to the release voltage or higher, the sense pin will be charged by the time constant of the RC series circuit. Assuming the time to the release delay time (TDR), it can be given by the formula (1).

$$TDR = - R_{delay} \times C_d \times \ln(1 - VTCD / VIN) \dots(1)$$

* ln = a natural logarithm

The release delay time can also be briefly calculated with the formula (2) because the delay resistance is 2.0M (TYP.) and the delay capacitance pin voltage is VIN /2 (TYP.)

$$TDR = 2.0e6 \times C_d \times 0.69 \dots(2)$$

As an example, presuming that the delay capacitance is 0.68 μ F, TDR is :

$$2.0e6 \times 0.68e - 6 \times 0.69 = 938 \text{ (ms)}$$

* Note that the release delay time may remarkably be short when the delay capacitance (Cd) is not discharged to the ground (=VSS) level because time described in is short.

When the delay capacitance pin voltage reaches to the delay capacitance pin threshold voltage (VCD=VTCD), the inverter (Inv.1) will be inverted. As a result, the output voltage changes into the "High" (=VIN) level. TDR0 is defined as time which ranges from VSEN=VDF+VHYS to the VOUT of "High" level without connecting to the Cd.

While the sense voltage is higher than the detect voltage (VSEN > VDF), the delay capacitance pin is charged until the delay capacitance pin voltage becomes the input voltage level. Therefore, the output voltage maintains the "High"(=VIN) level.

OPERATIONAL EXPLANATION (Continued)

Function Chart

V _{SEN}	Cd	TRANSITION OF V _{OUT} CONDITION*		
L	L	L		L
	H			
	L	H		
	H			
H	L	L		L
	H			
	L	H		H
	H			

*V_{OUT} transits from condition to because of the combination of V_{SEN} and Cd.

Example

ex. 1) V_{OUT} ranges from 'L' to 'H' in case of V_{SEN} = 'H' (VDR = V_{SEN}), Cd='H' (VTCD = Cd) while V_{OUT} is 'L'.

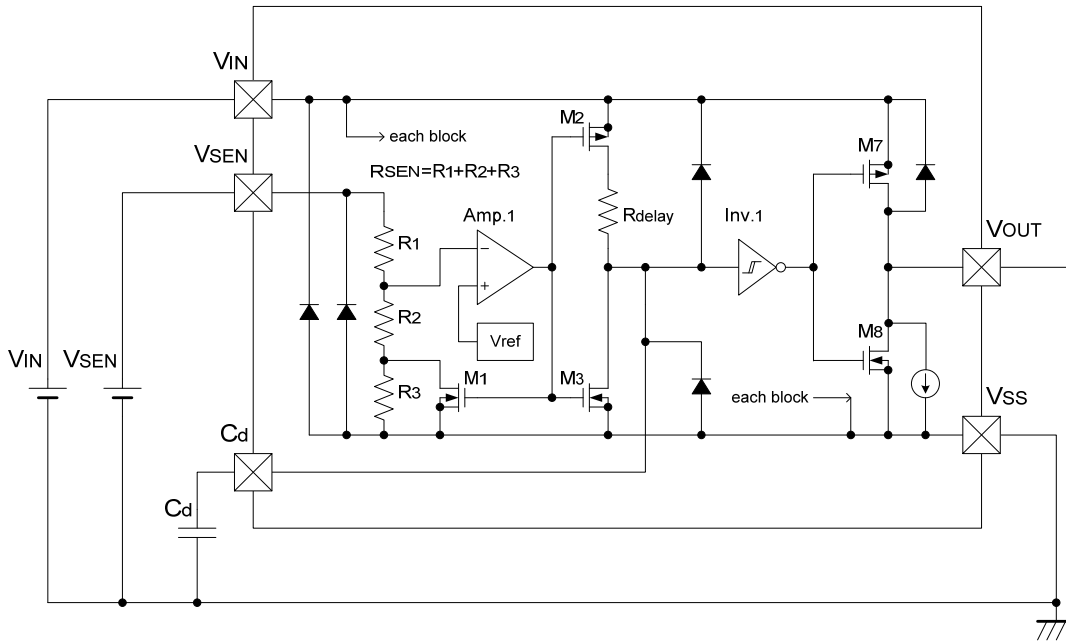
ex. 2) V_{OUT} maintains 'H' when Cd ranges from 'H' to 'L', V_{SEN}='H' and Cd='L' when V_{OUT} becomes 'H' in ex.1.

Release Delay Time Chart

DELAY CAPACITANCE [Cd] (μF)	RELEASE DELAY TIME [TDR] (TYP.) (ms)	RELEASE DELAY TIME [TDR] (MIN. ~ MAX.) (ms)
0.010	13.8	11.0 ~ 16.6
0.022	30.4	24.3 ~ 36.4
0.047	64.9	51.9 ~ 77.8
0.100	138	110 ~ 166
0.220	304	243 ~ 364
0.470	649	519 ~ 778
1.000	1380	1100 ~ 1660

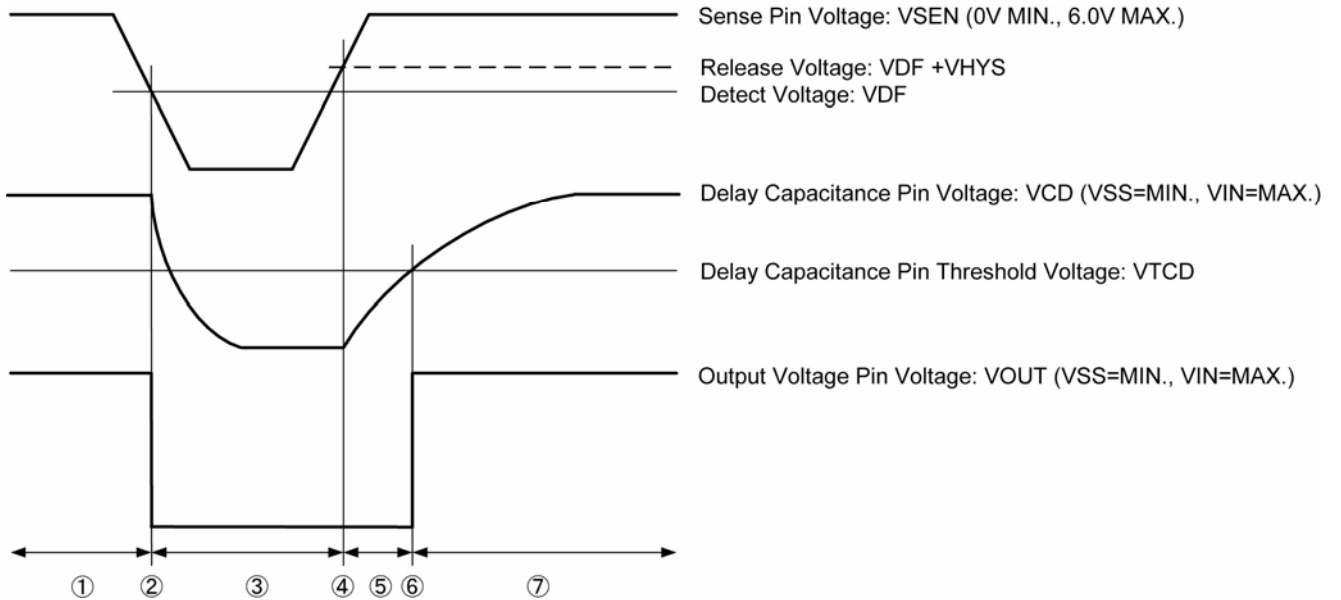
OPERATIONAL EXPLANATION (Continued)

Figure 1: Typical application circuit example



*The XC6108N series (N-ch open drain output) requires a pull-up resistor for pulling up output.

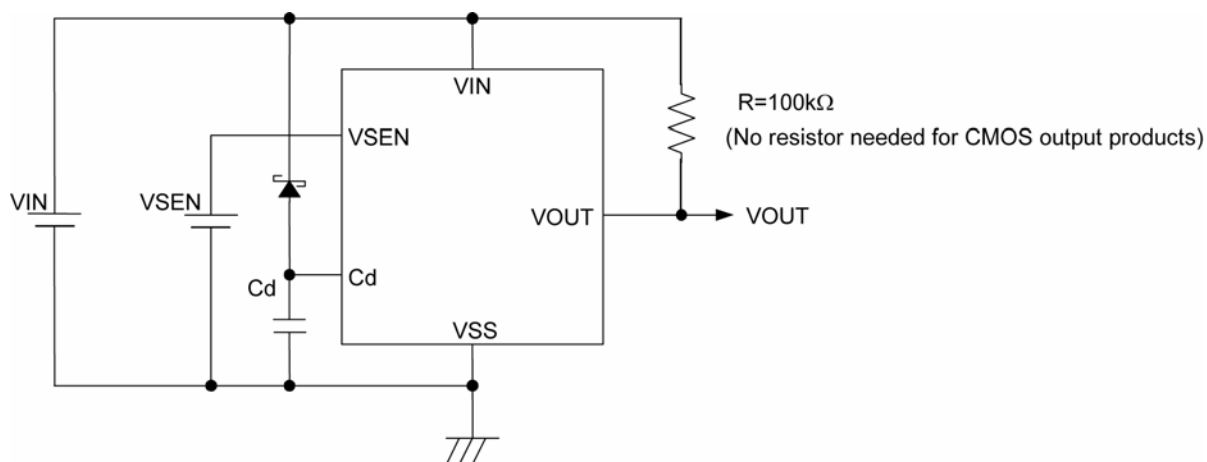
Figure 2: The timing chart of Figure 1



NOTES ON USE

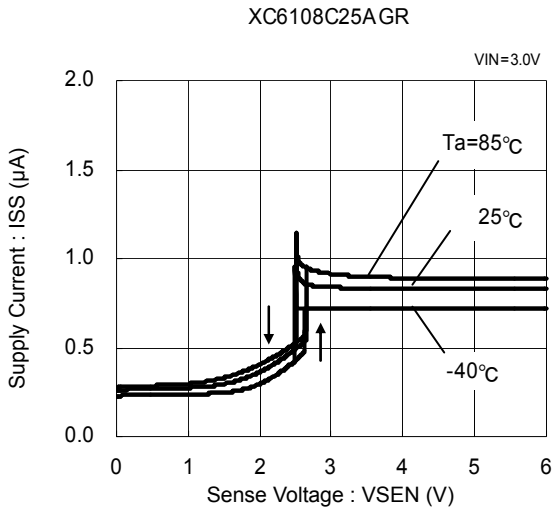
1. Use this IC within the stated maximum ratings. Operation beyond these limits may cause degrading or permanent damage to the device.
2. The power supply input pin voltage drops by the resistance between power supply and the V_{IN} pin, and by through current at operation of the IC. At this time, the operation may be wrong if the power supply input pin voltage falls below the minimum operating voltage range. In CMOS output, for output current, drops in the power supply input pin voltage similarly occur. Moreover, in CMOS output, when the V_{IN} pin and the sense pin are short-circuited and used, oscillation of the circuit may occur if the drops in voltage, which caused by through current at operation of the IC, exceed the hysteresis voltage. Note it especially when you use the IC with the V_{IN} pin connected to a resistor.
3. When the setting voltage is less than 1.0V, be sure to separate the V_{IN} pin and the sense pin, and to apply the voltage over 1.0V to the V_{IN} pin.
4. Note that a rapid and high fluctuation of the power supply input pin voltage may cause a wrong operation.
5. When there is a possibility of which the power supply input pin voltage falls rapidly (e.g.: 6.0V to 0V) at release operation with the delay capacitance pin (C_d) connected to a capacitor, use a schottky barrier diode connected between the V_{IN} pin and the C_d pin as the Figure 3 shown below.
6. In N-ch open drain output, a pull-up resistor connected to the output voltage pin should be 100k-200k .

Figure 3: Circuit example with the delay capacitance pin (C_d) connected to a schottky barrier diode

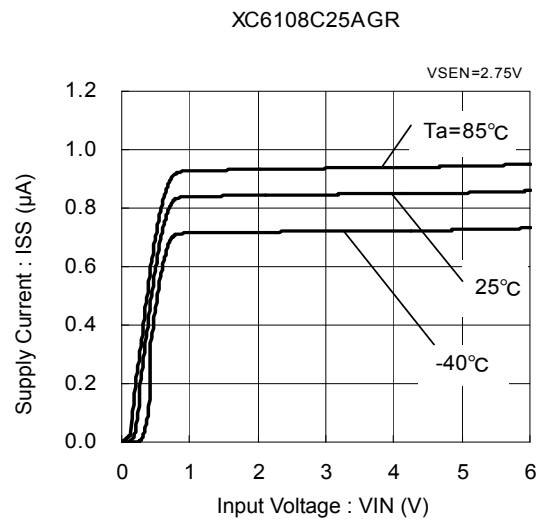
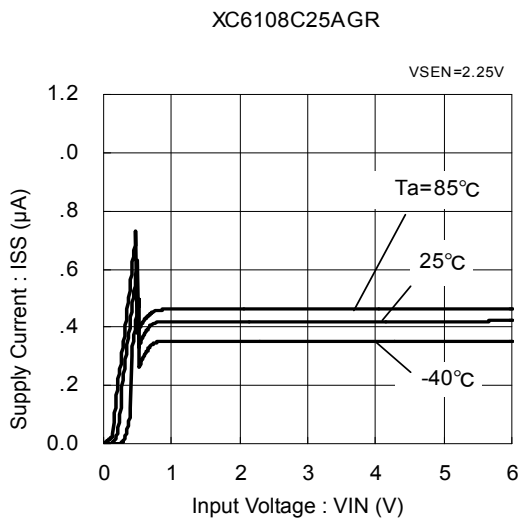


TYPICAL PERFORMANCE CHARACTERISTICS

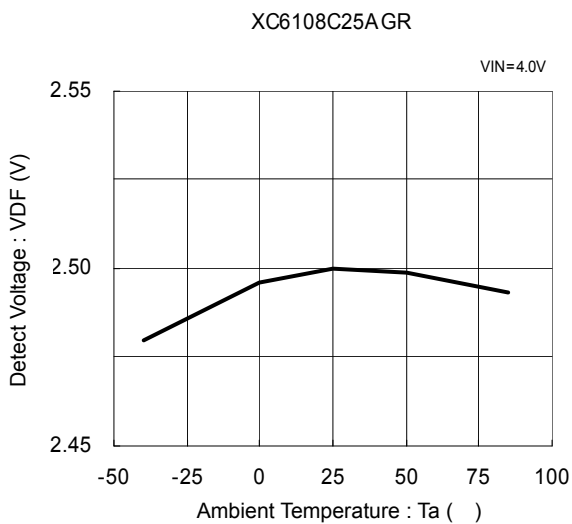
(1) Supply Current vs. Sense Voltage



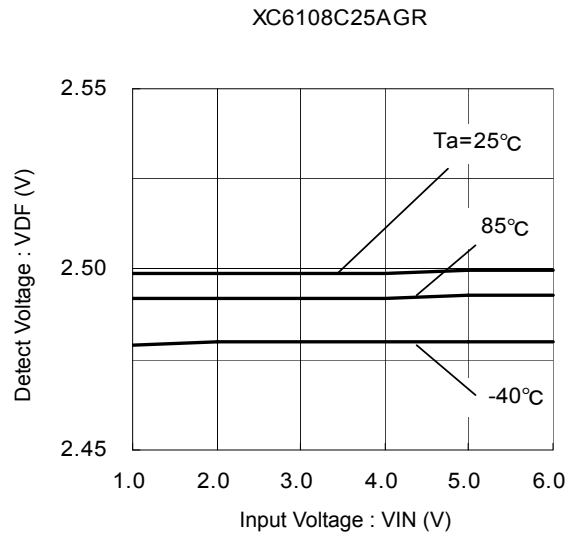
(2) Supply Current vs. Input Voltage



(3) Detect Voltage vs. Ambient Temperature

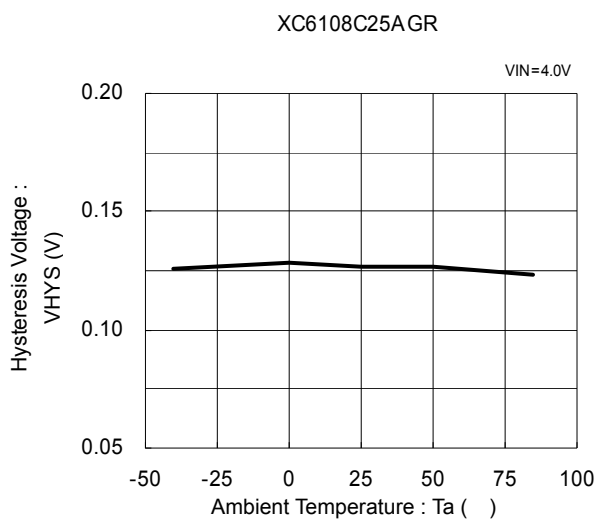


(4) Detect Voltage vs. Input Voltage

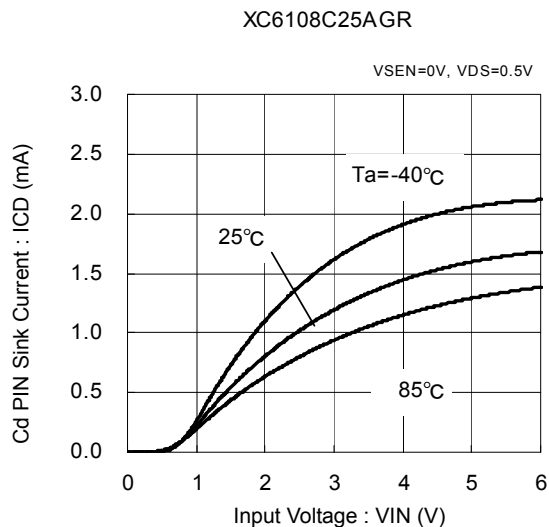


TYPICAL PERFORMANCE CHARACTERISTICS (Continued)

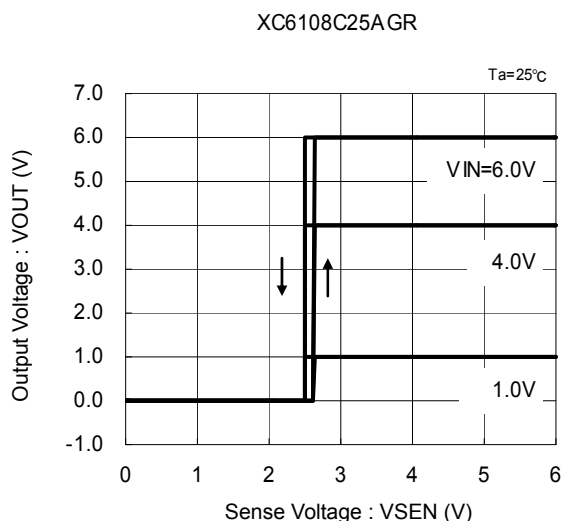
(5) Hysteresis Voltage vs. Ambient Temperature



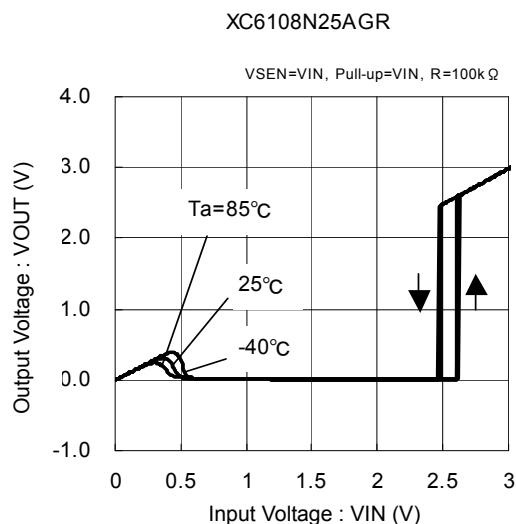
(6) CD Pin Sink Current vs. Input Voltage



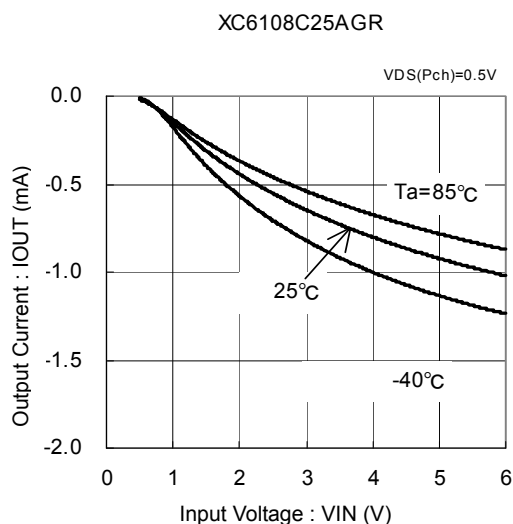
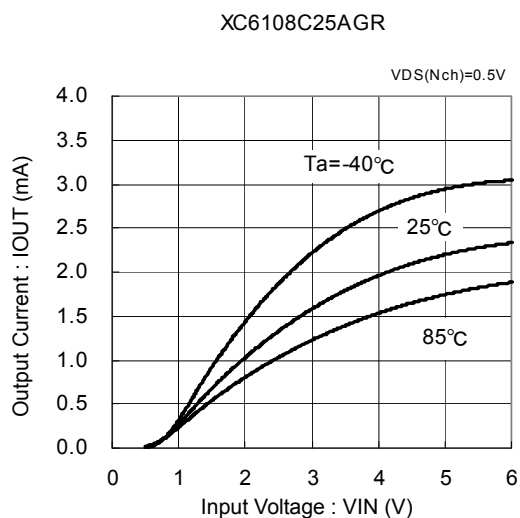
(7) Output Voltage vs. Sense Voltage



(8) Output Voltage vs. Input Voltage

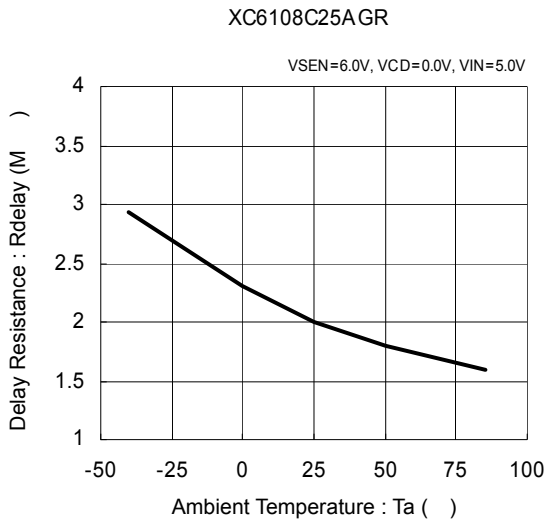


(9) Output Current vs. Input Voltage

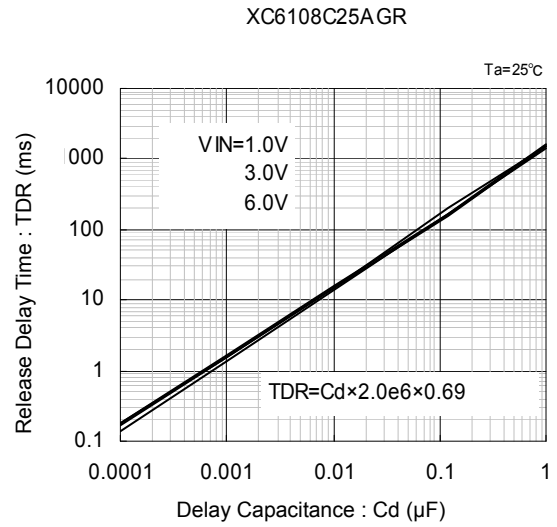


TYPICAL PERFORMANCE CHARACTERISTICS (Continued)

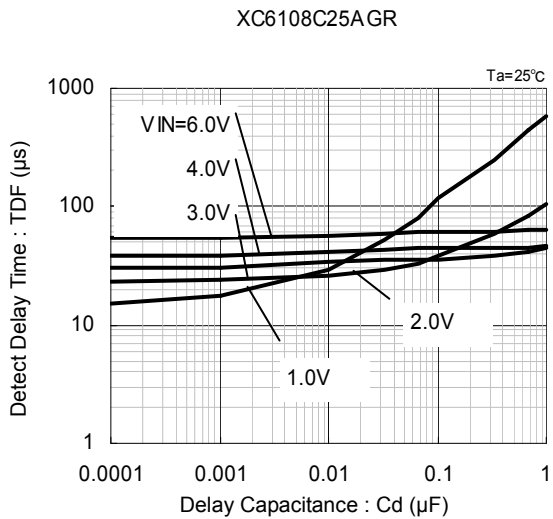
(10) Delay Resistance vs. Ambient Temperature



(11) Release Delay Time vs. Delay Capacitance

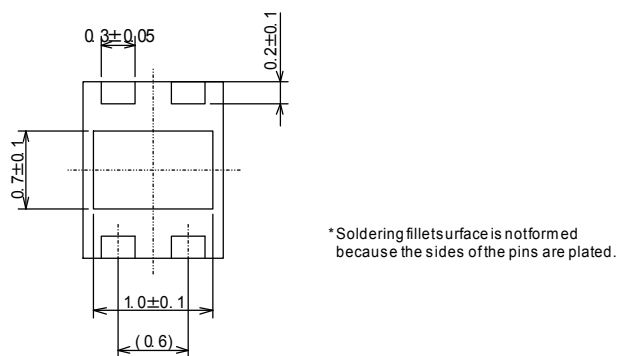
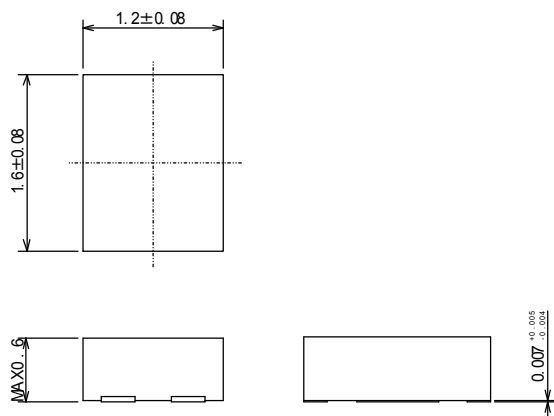


(12) Detect Delay Time vs. Delay Capacitance

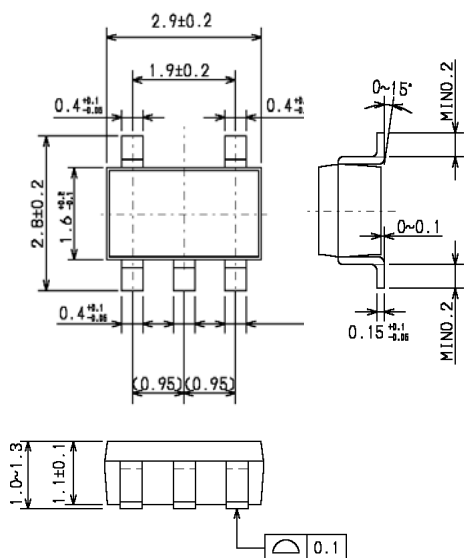


PACKAGING INFORMATION

USP-4

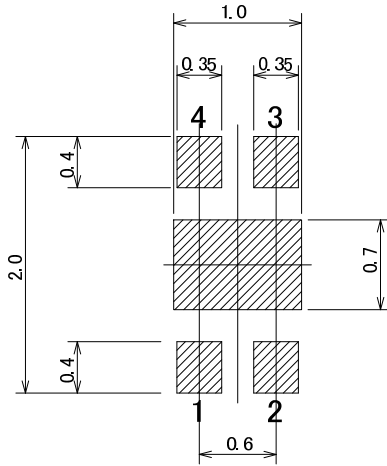


SOT-25

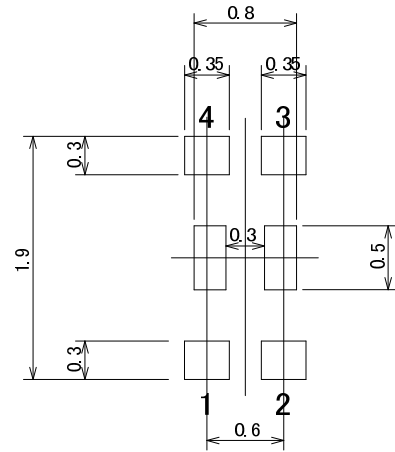


PACKAGING INFORMATION (Continued)

USP-4 Recommended Pattern Layout



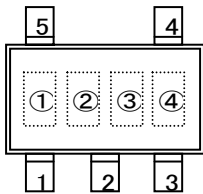
USP-4 Recommended Metal Mask Design



MARKING RULE

SOT-25

Represents output configuration and integer number of detect voltage



SOT-25
(TOP VIEW)

CMOS Output (XC6108C Series)

MARK	VOLTAGE (V)
A	0.x
B	1.x
C	2.x
D	3.x
E	4.x
F	5.x

N-ch Open Drain Output (XC6108N Series)

MARK	VOLTAGE (V)
K	0.x
L	1.x
M	2.x
N	3.x
P	4.x
R	5.x

Represents decimal number of detect voltage

(ex.)

MARK	VOLTAGE (V)	PRODUCT SERIES
3	x.3	XC6108xx3xxx
0	x.0	XC6108xx0xxx

Represents options

MARK	OPTIONS	PRODUCT SERIES
A	Built-in delay capacitance pin with hysteresis 5% (TYP.) (Standard)	XC6108xxxAxx
B	Built-in delay capacitance pin with hysteresis less than 1% (Standard)	XC6108xxxBxx
C	No built-in delay capacitance pin with hysteresis 5% (TYP.) (Semi-custom)	XC6108xxxCxx
D	No built-in delay capacitance pin with hysteresis less than 1% (Semi-custom)	XC6108xxxDxx

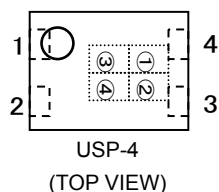
Represents production lot number

0 to 9, A to Z or inverted characters of 0 to 9, A to Z repeated.

(G, I, J, O, Q, W excepted.)

MARKING RULE (Continued)

USP-4



Represents output configuration and integer number of detect voltage

CMOS Output (XC6108C Series)

MARK	VOLTAGE (V)
A	0.x
B	1.x
C	2.x
D	3.x
E	4.x
F	5.x

N-ch Open Drain Output (XC6108N Series)

MARK	VOLTAGE (V)
K	0.x
L	1.x
M	2.x
N	3.x
P	4.x
R	5.x

Represents decimal number of detect voltage

(ex.)

MARK	VOLTAGE (V)	PRODUCT SERIES
3	x.3	XC6108xx3xxx
0	x.0	XC6108xx0xxx

Represents options

MARK	OPTIONS	PRODUCT SERIES
A	Built-in delay capacitance pin with hysteresis 5% (TYP.) (Standard)	XC6108xxxAxx
B	Built-in delay capacitance pin with hysteresis less than 1% (Standard)	XC6108xxxBxx
C	No built-in delay capacitance pin with hysteresis 5% (TYP.) (Semi-custom)	XC6108xxxCxx
D	No built-in delay capacitance pin with hysteresis less than 1% (Semi-custom)	XC6108xxxDxx

Represents production lot number

0 to 9, A to Z repeated. (G, I, J, O, Q, W excepted.)

*No character inversion used.

1. The products and product specifications contained herein are subject to change without notice to improve performance characteristics. Consult us, or our representatives before use, to confirm that the information in this catalog is up to date.
2. We assume no responsibility for any infringement of patents, patent rights, or other rights arising from the use of any information and circuitry in this catalog.
3. Please ensure suitable shipping controls (including fail-safe designs and aging protection) are in force for equipment employing products listed in this catalog.
4. The products in this catalog are not developed, designed, or approved for use with such equipment whose failure of malfunction can be reasonably expected to directly endanger the life of, or cause significant injury to, the user.
(e.g. Atomic energy; aerospace; transport; combustion and associated safety equipment thereof.)
5. Please use the products listed in this catalog within the specified ranges.
Should you wish to use the products under conditions exceeding the specifications, please consult us or our representatives.
6. We assume no responsibility for damage or loss due to abnormal use.
7. All rights reserved. No part of this catalog may be copied or reproduced without the prior permission of Torex Semiconductor Ltd.

TOREX SEMICONDUCTOR LTD.