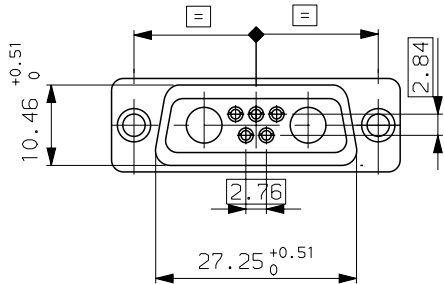
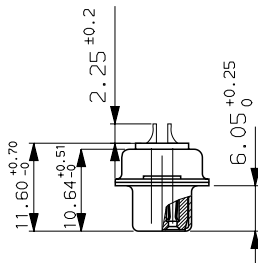
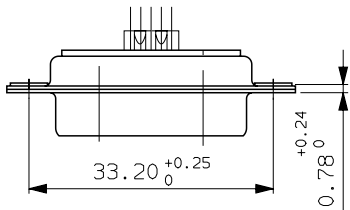
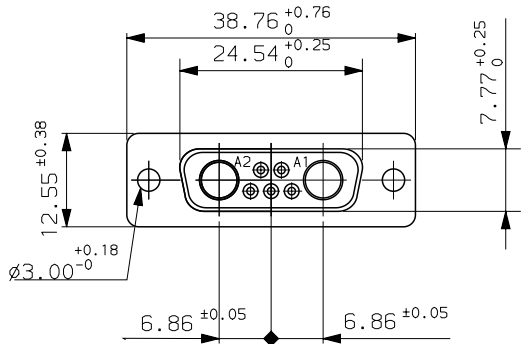


GENERAL CHARACTERISTICS : SEE DRAWING C01-8639-0000



Core range
DA7W2SA00
PART NUMBER

d	28/10/03	update		--
ISS	DATE	Lastest modification by : BART.S	MOD N°	
Designed by: JARRY date 26/01/95		Type of drawing: CLIENT		
Checked by : FONTENEAU date: --		Released by: --		
TITLE : SOCKET CONNECTOR MARK 1 FOR POWERS CONTACTS .				
SCALE	Special mfg:--	MATERIAL:--	N°: --	
1.5	item list n°: --	--		
	General Linear Tolerances: --	General machining surface texture: -- <input checked="" type="checkbox"/>	Geometrical Tolerances see NF E 04-552	SHEET 1/1
			This document is the property of FRAMATOME CONNECTORS FRANCE. It must not be reproduced or communicated without permission in writing flow the owners.	
FORMAT A3	SOURIAU DRG N° C01-8639-0572-1		PROJECT M94D001	