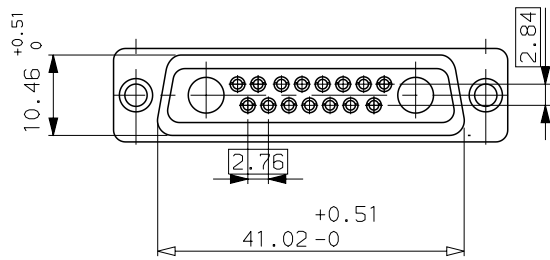
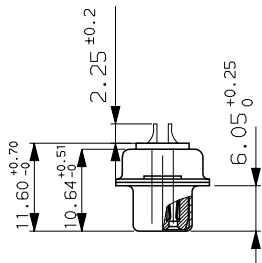
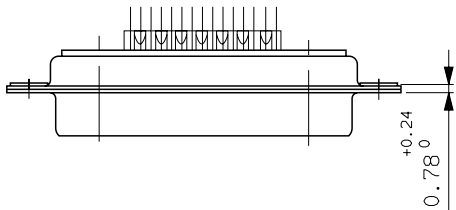
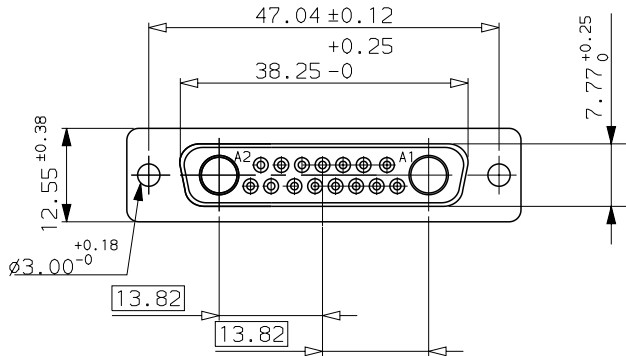


GENERAL CHARACTERISTICS : SEE DRAWING C01-8639-0000



DB17W2SA00
PART NUMBER

| | | | | |
|--|---|--|---|----------|
| b | 29/10/03 | update | | -- |
| ISS | DATE | Lastest modification by : BART.S | | MOD N° |
| Designed by: JARRY | | date: 11/05/95 | Type of drawing: CLIENT | |
| Checked by : FONTENEAU | | date: -- | Released by: -- | |
| TITLE : SOCKET CONNECTOR FOR TWO POWERS CONTACTS | | | | |
| SCALE | Special mfg: -- | MATERIAL: -- | N°: -- | |
| 1.5 | item list n°: -- | -- | | |
| | General Linear Tolerances: -- | General machining surface texture: -- <input type="checkbox"/> | Geometrical Tolerances see NF E 04-552 | SHEET 01 |
| | FRAMATOME CONNECTORS FRANCE Rue Louis Breguet - BP 05 72024 LE MANS Cedex Tel. 33 (16) 43.84.08.43 | | This document is the property of FRAMATOME CONNECTORS FRANCE It must not be reproduced or communicated without permission in writing Flow the owners | |
| FORMAT A3 | SOURIAU DRG N° C01-8639-0581 | | PROJECT M94D001 | |