

Tungsten Halogen

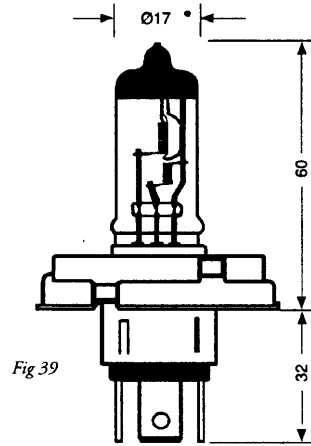
Lamps for headlights & auxiliary lighting



Reference No Volt Watt Type Dim(mm)

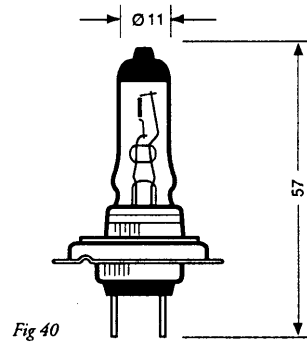
H4

HB12	12v	60/55	H4	P45t
485	12v	100/80	H4	P45t
495	12v	130/90	H4	P45t
HB24	24v	75/70	H4	P45t
497	24v	100/80	H4	P45t



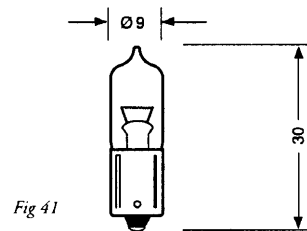
H7

499	12v	55w	H7	Px26d
498	24v	70w	H7	Px26d



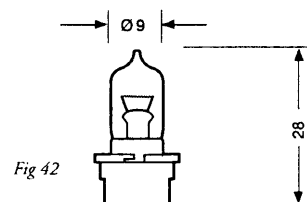
BA9

431	12v	5w	Halogen	BA9
432	12v	10w	Halogen	BA9
433	12v	20w	Halogen	BA9



PCB HALOGEN

64124	12v	5w	PCB	9
--------------	-----	----	-----	---

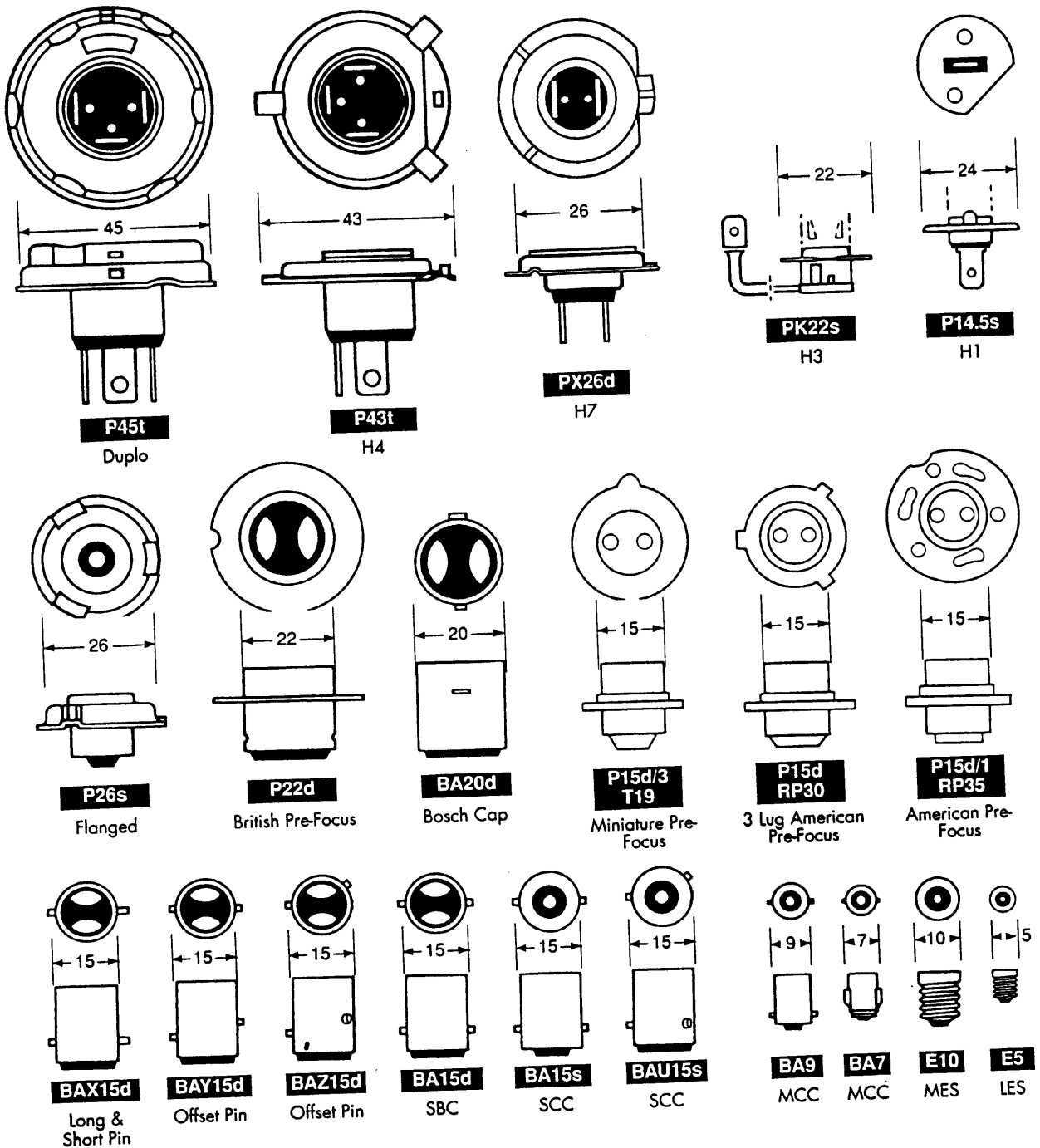


End Caps & Abbreviations

Throughout this catalogue reference is made to the dimension of each lamp either by size or abbreviation

Where an actual size is shown, eg. 8mm, this refers to the overall width of the glass envelope.

Where the dimension is shown as an abbreviation refer to the illustrations below



Other abbreviations are:

- APF - American Pre-Focus
- BC - Bayonet Cap
- BPF - British Pre-Focus
- Capless - Wedge Base
- DC - Double Contact
- ES - Edison Screw

- LES - Lilliputian Edison Screw
- L & S - Long & Short Pin
- LP - Level Pin
- MCC - Miniature Centre Contact
- MES - Miniature Edison Screw
- MPF - Miniature Pre-Focus

- OSP - Offset Pin
- PCB - Printed Circuit Board
- SBC - Standard Bayonet Cap
- SC - Single Contact
- SCC - Single Centre Contact