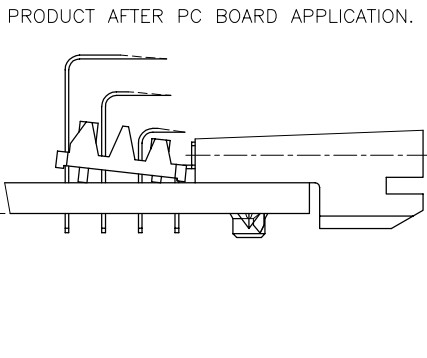
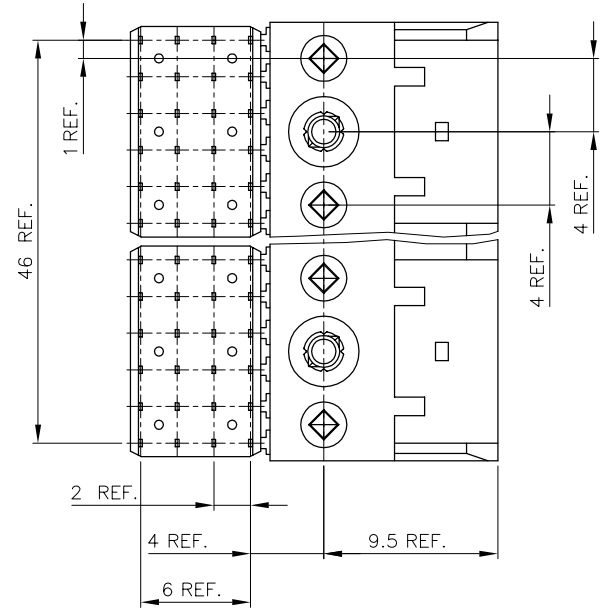
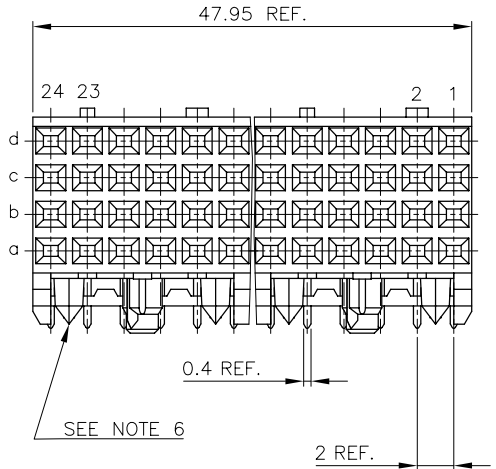
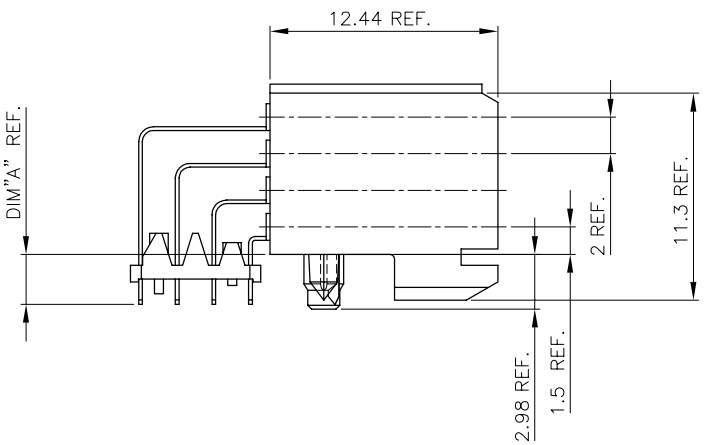
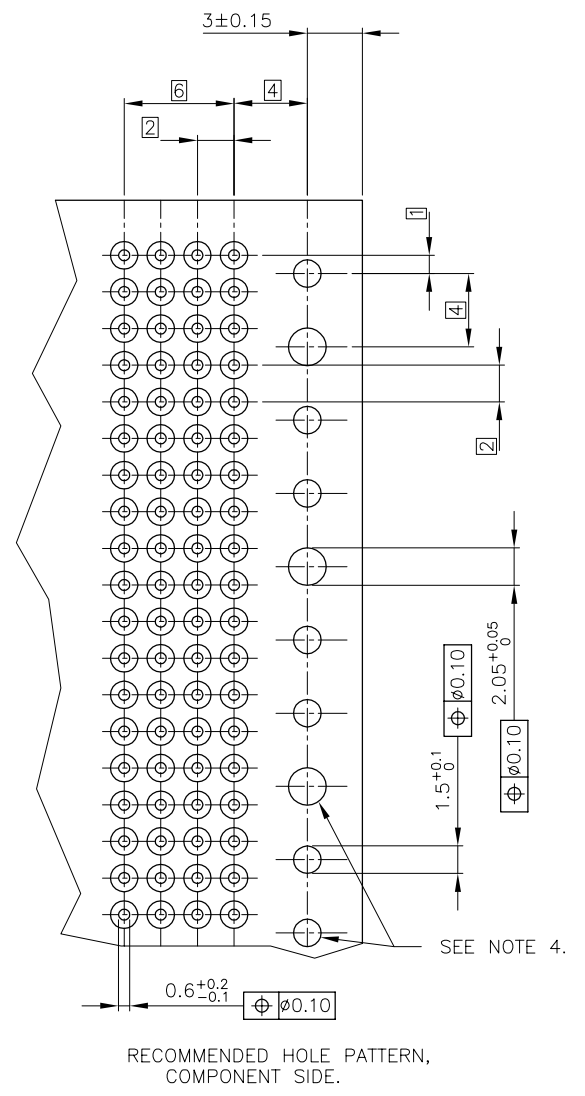


PC BOARD VERSIONS		
PRODUCTNR:	PCB THICKNESS	DIM"A"
89037-X01	1.6	2.73
89037-X11	2.4	3.53



PC BOARD THICKNESS ±0.20
SEE TABLE



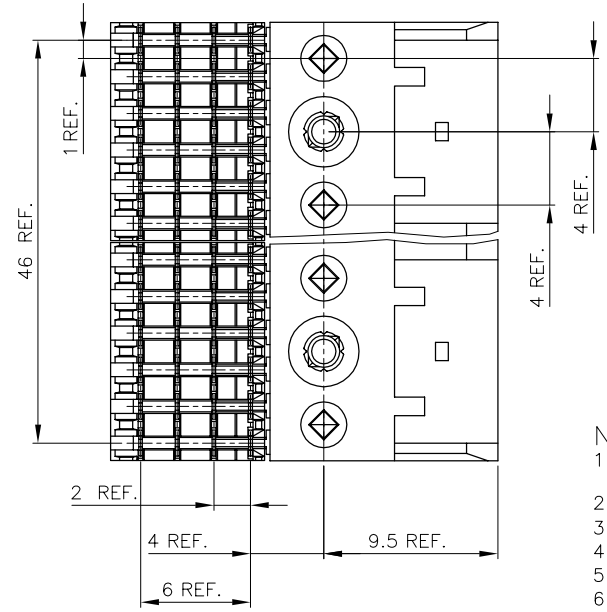
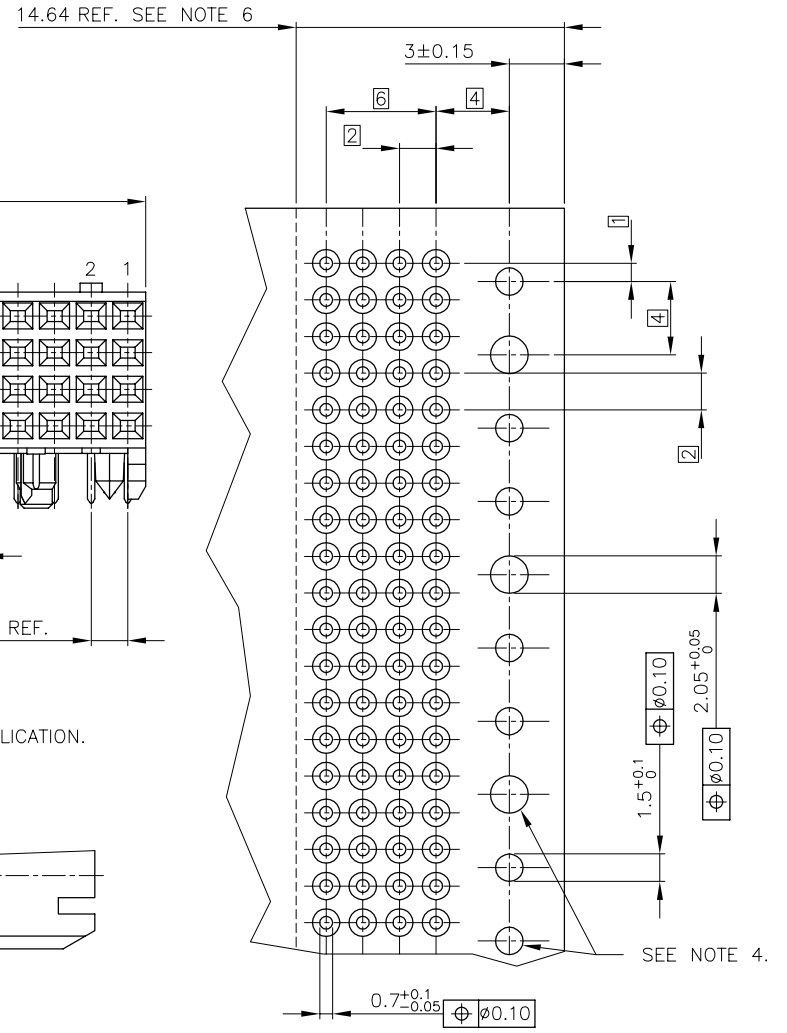
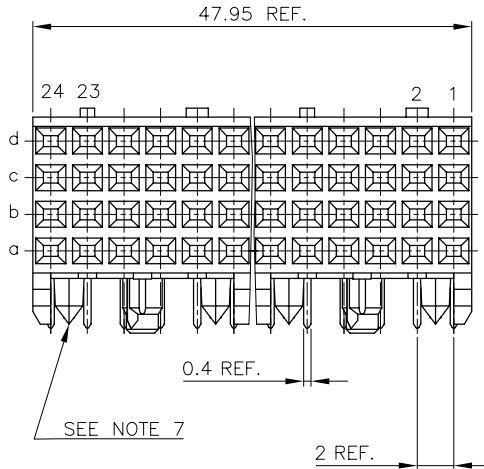
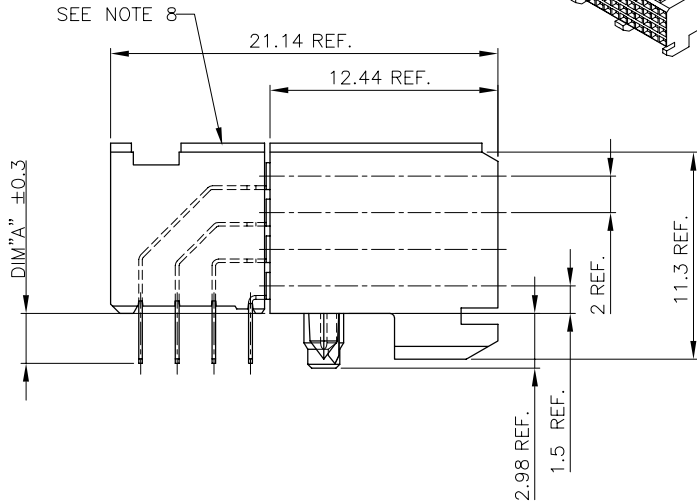
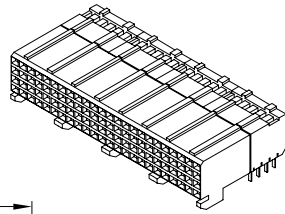
PRODUCT NR:	PLATING CONTACT AREA:	UNDERPLATING
89037-1YZ	0.8 µm GOLD	1.3 µm Ni MIN.
89037-2YZ	2 µm GOLD	1.3 µm Ni MIN.
89037-3YZ	1.3 µm GOLD	1.3 µm Ni MIN.
89037-9YZ	0.8 µm GXT	1.3 µm Ni MIN.

- NOTES:
- 1 BODY MAT'L: LIQUID CRYSTAL POLYMER 30% GLASS
FLAME RETARDANT ACC. UL 94-V0
 - 2 TERMINAL MATERIAL: PHOSPHOR BRONZE.
 - 3 PLATING SOLDER TAILS 2-8 µm SnPb 90-97.
 - 4 INDICATED HOLES ARE UNPLATED.
 - 5 PRODUCT MARKING: PARTNUMBER & BATCH ID.
 - 6 LOCATION PEG FEATURES MAY NOT BE AVAILABLE AS SHOWN.

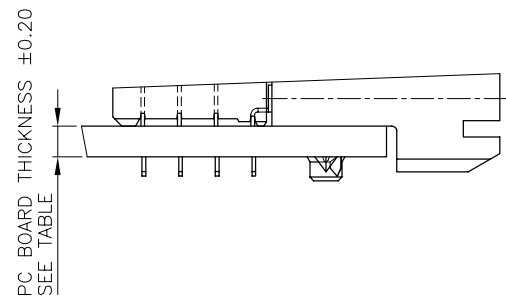
mat'l. code		tolerances unless otherwise specified		CUSTOMER COPY		FCI ELECTRONICS	
lfr	ecn no	dr	date	linear	projection	title	www.fciconnect.com
B	H30759	EFE	940118			RA FEMALE SIGNAL	
C	H40118	EFE	940211			48 mm PRESS PEG	
D	H40355	DDB	940527	angles			
E	V0769	DDB	970530	dr	H. Bouwknegt	930202	
F	V91450	DDB	990827	eng	H. Bouwknegt	940311	
G	V00578	LLA	000316	chr	S. Lee	930203	
H	V00847	LLA	000530	appd	J. Wintjies	930203	
sheet	revision	H	D				
index	sheet	1	2				

All rights strictly reserved. Reproduction or use in third parties in any form without the prior written consent of FCI is prohibited. © FCI B.V.

PC BOARD VERSIONS		
PRODUCTNR:	PCB THICKNESS	DIM"A"
89037-X02	1.6	2.73
89037-X12	2.4	3.53



PRODUCT AFTER PC BOARD APPLICATION.



- NOTES:
- 1 BODY MAT'L: LIQUID CRYSTAL POLYMER 30% GLASS
FLAME RETARDANT ACC. UL 94-V0
 - 2 TERMINAL MATERIAL: PHOSPHOR BRONZE.
 - 3 PLATING SOLDER TAILS 2-8 μm SnPb 90-97.
 - 4 INDICATED HOLES ARE UNPLATED.
 - 5 PRODUCT MARKING: PARTNUMBER & BATCH ID.
 - 6 SET BACK FOR PRESS BLOCK.
 - 7 LOCATION PEG FEATURES MAY NOT BE AVAILABLE AS SHOWN.
 - 8 TOP SURFACE OF PRESS BLOCK MAY EXTEND UP TO 0.4MM HIGHER THAN HOUSING. THIS MAY AFFECT THE TAIL LENGTH BEFORE APPLICATION TO A BOARD

PRODUCT NR:	PLATING CONTACT AREA:	UNDERPLATING
89037-1YZ	0.8 μm GOLD	1.3 μm Ni MIN.
89037-2YZ	2 μm GOLD	1.3 μm Ni MIN.
89037-3YZ	1.3 μm GOLD	1.3 μm Ni MIN.
89037-9YZ	0.8 μm GXT	1.3 μm Ni MIN.

mat'l. code		tolerances unless otherwise specified		CUSTOMER COPY		FCI ELECTRONICS	
ltr	ecr no	dr	date	linear	projection	title	www.fciconnect.com
A	V70769	DDb	970529			RA FEMALE SIGNAL	
B	V91450	DDb	990827			48 mm PRESS PEG	
C	V00578	LLA	000316	angles			
D	V00847	LLA	000530	dr	D. de Bli	970529	
				eng	P. Schalk	970529	
				chr	P. Schalk	970529	
				appd	H. Cooijmans	970529	
sheet index	revision sheet					scale	
						5:1	
						product family	METRAL(tm)
						size	A2
						dwg no	89037
						code	213
						sheet	2 of 2