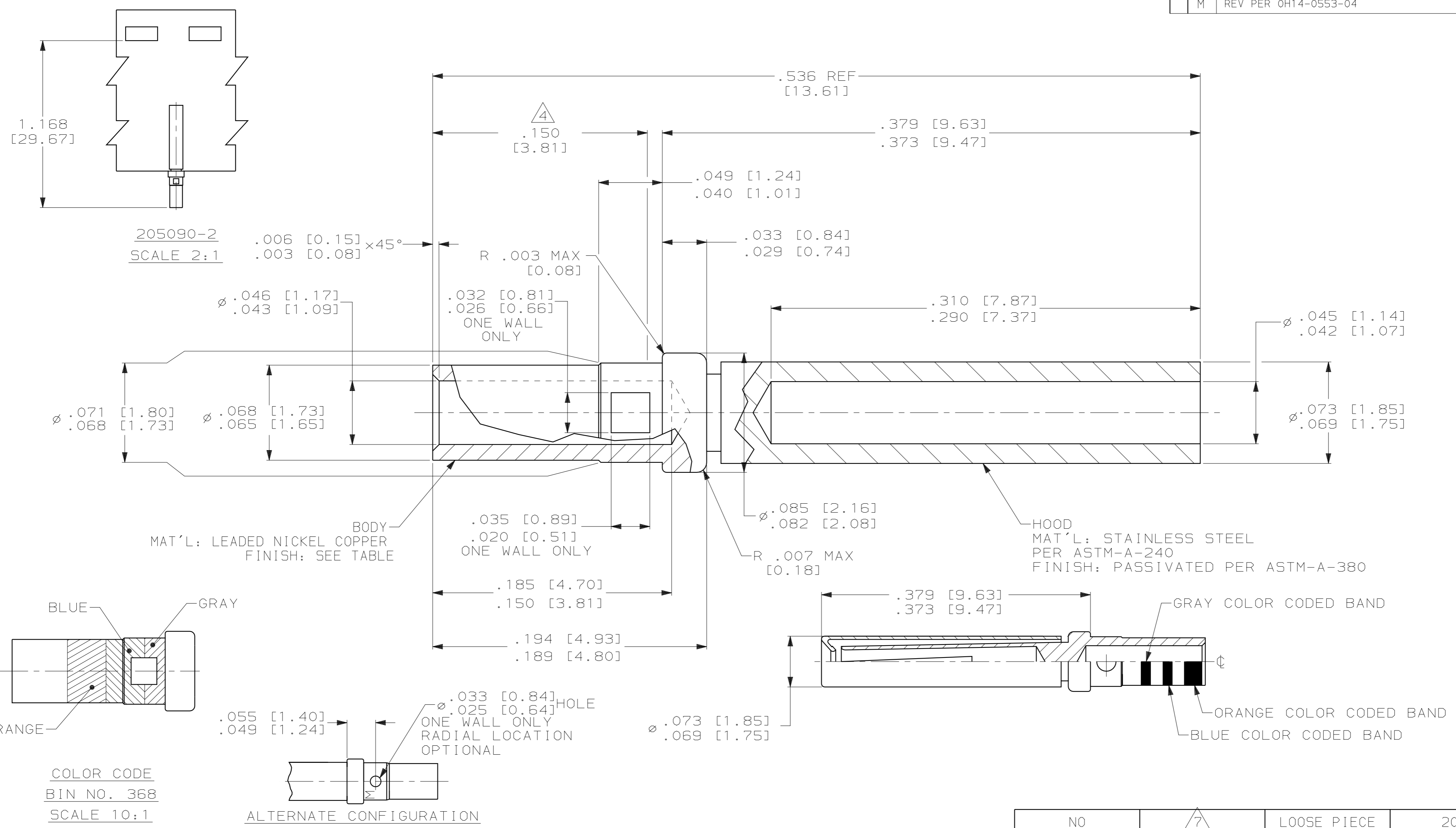


LOC	DIST	REVISIONS					
DF	DO	P	LTR	DESCRIPTION	DATE	DWN	APVD
		M		REV PER 0H14-0553-04	8-17-04	CT	DM



- ALL DIMENSIONS APPLY AFTER PLATING.
- THIS DRAWING COMPLIES WITH SPECIFICATION MIL-C-39029/63 AND M24308/10-1.
- ALL DIAMETERS CONCENTRIC WITH EACH OTHER WITHIN .004 T.I.R.
- POINT OF PLATING MEASUREMENT .150 [3.81] FROM WIRE BARREL END OF CONTACT.
- ALL SURFACES HAVE $\sqrt{63}$ OR BETTER FINISH.
- GOLD PLATED PER ASTM-B-488 TYPE 3, GRADE C, CLASS 1.25 OVER NICKEL PER QQ-N-290.
- GOLD PLATED PER ASTM-B-488 TYPE 3, GRADE C, CLASS .75 OVER NICKEL PER QQ-N-290.

THIS DRAWING IS A CONTROLLED DOCUMENT.

DIMENSIONS: INCHES [mm]	TOLERANCES UNLESS OTHERWISE SPECIFIED: 0 PLC ± 1 PLC ± 2 PLC ± 3 PLC ±.005 [0.13] 4 PLC ± ANGLES ±	DWN C.C. THOMAS 8-17-04 CHK D. MILLER 8-17-04 APVD D. MILLER 8-17-04	TYCO Electronics TYCO Electronics Harrisburg, PA 17105-3608
MATERIAL SEE CALLOUTS	FINISH SEE CALLOUTS	PRODUCT SPEC APPLICATION SPEC	NAME CONTACT ASSY, SOCKET, SIZE 20, AMPLIMITE
		WEIGHT -	RESTRICTED TO -
		CUSTOMER DRAWING	SCALE 20:1 SHEET 1 OF 1 REV M