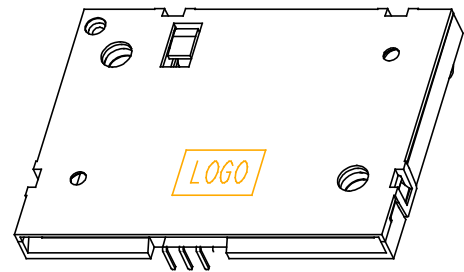
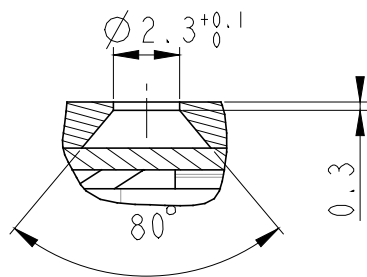


<b>PART NUMBER</b>	<b>LEAD FREE VERSION</b>
7431E0225S01	7431E0225S01LF



55.9<sup>+0.2</sup> on clips

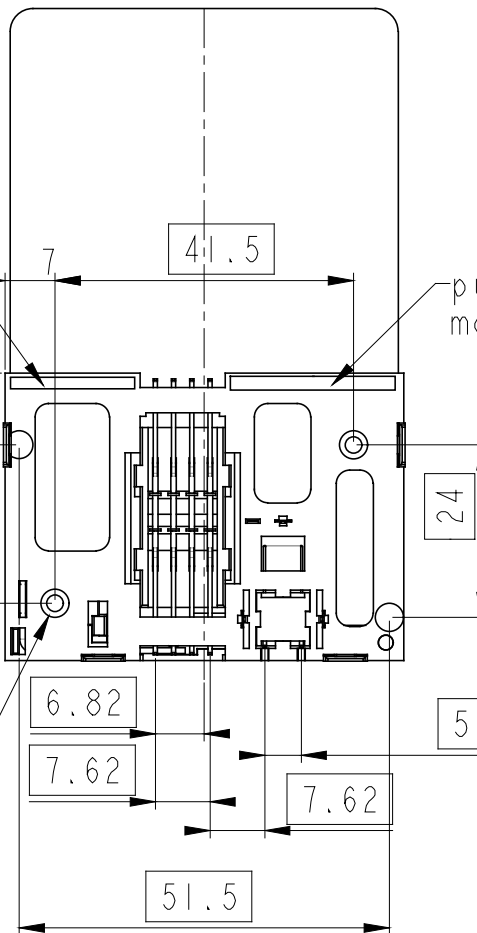
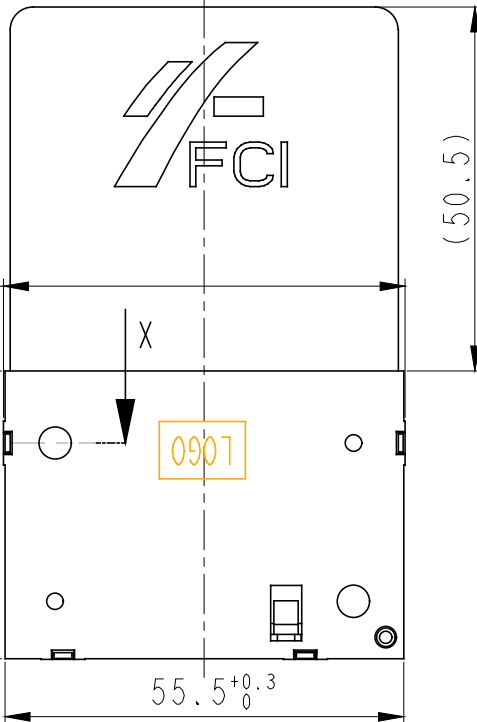
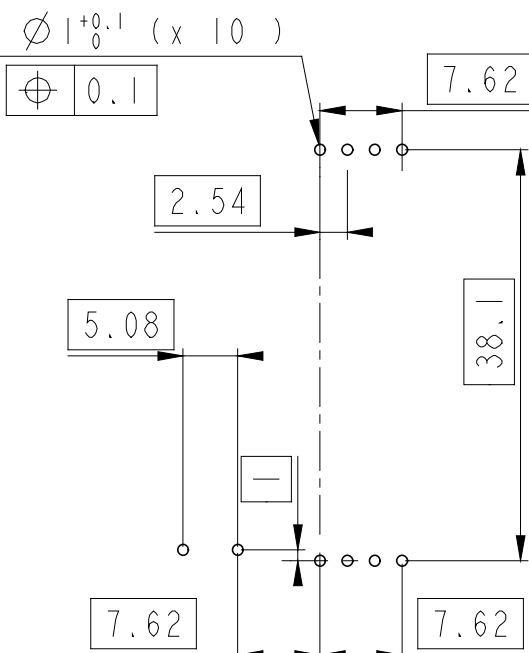


SECTION X-X  
SCALE 4:1

card insertion  
direction

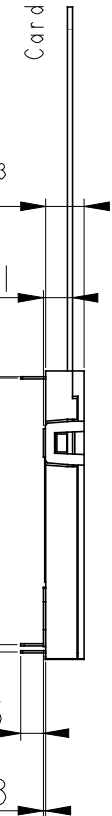
manufacturing  
date(year-week)

**Recommended PCB Layout  
(Component side)**



General Tolerances	
0 to 10mm:	±0.1mm
10 to 30mm:	±0.15mm
30 to 60mm:	±0.2mm
60 and more:	±0.3mm

lfr	ecn no	dr	date
A	F20307	DLE	02/04/29
B	F20316	DLE	02/05/16
C	LS20341	DLE	02/06/04
D	LS3077	MPE	03/09/17
E	LS3088	MPE	03/10/13
F	105-0176	NT	05/09/30
-	-	-	-



**GENERAL :**

High cycle life duration smart card connector with landing type contacts mechanism. The landing type connector also provides the feature of recessed contacts when card is not inserted which protects them against vandalism.  
Smart card for reference purposes only.

**ELECTRICAL PROPERTIES:**

Insulation resistance : > 1000MΩ  
Dielectric withstanding voltage : >750 Vrms  
Current carrying capacity : Min 10μA, Max 1A  
Contact resistance : < 100mΩ

**MECHANICAL PROPERTIES :**

Operating force : Insertion : F < 10N  
Withdrawal : 1 < F < 10N  
Contact Normal force : 0.2 < F < 0.3 for 0.6mm of deflection  
Durability : 200 000 mating cycles

**MATERIAL :**

Head reader : PA4/6, Colour Black, Rated UL94V0  
Cover : PA4/6, Colour Grey, Rated UL94V0  
Contacts : Copper alloy,  
Plating : 2.5μm Nickel min. all over  
2μm Gold min. on contact area  
3μm SnPb(60/40) min. on solder tails(FOR LEADED VERSION)  
3μm matte tin min. on solder tails(FOR LEAD FREE VERSION)

**ENVIRONMENT :**

Operating temperature : -40°C / +85°C  
Climatic conditions : UTE 93-421

**PACKAGING :**

Plastic cavity tray

**LEAD FREE VERSION:**

"This product meets European Union Directives and other country regulations as described in GS-22-008"

The housing will withstand exposure to 260°C peak temperature for 3-5seconds in a wave solder application with a 1.6mm minimum thick circuit board.

Tous droits strictement reserves. Reproduction ou communication a des tiers interdite sans autorisation écrite de propriétaire. Propriété de FCI. Droits de reproduction FCI.

All rights strictly reserved. Reproduction or issue to third parties in any form whatever is not permitted without written authority from the proprietor. Property of FCI. Copyright FCI.



		www.fciconnect.com	surface -- ✓ ISO 1302	tolerance ISO 406 ISO 1101	projection 	mm ↔
Dr	J.TARON	02-09-17	Product family	MOBILE I/O	size	Scale
Eng	LE GALLIC	02/10/11	Spec ref	--	A3	1:1
Chr	N.TWENCY	05/09/30	Material	SEE NOTES	ECN	105-0176
Appr	N.TWENCY	05/09/30				
title			E02 WITHOUT PEG		dwg no	
+			SMART CARD READER VXX27601		VJW54076	
catalog no			7431E0225S01		Rev. F	
				CUSTOMER COPY		sheet 1 of 1