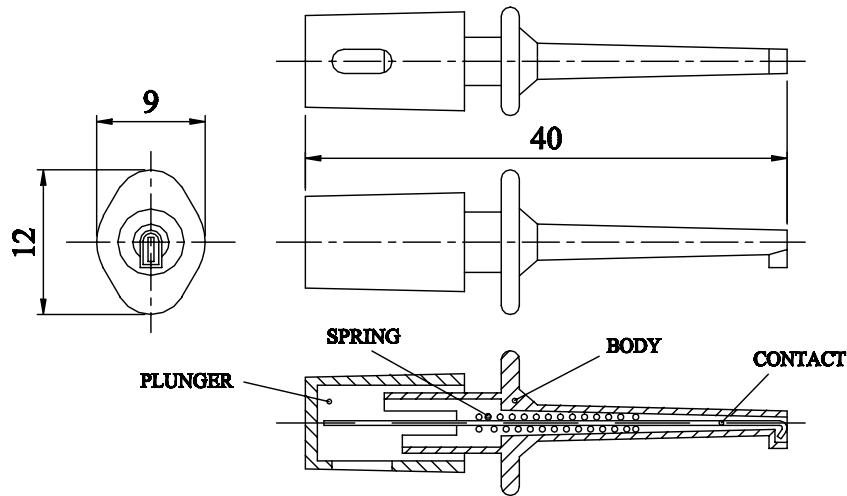


A miniature, spring loaded, plunger action probe, ideally suited for making contact to component leads on high density PCBs including integrated circuit pins etc. Gold flash contact hook and solder connections.

Available in a range of colours for identification in multiple probing applications. Suitable for miniature stranded cables.

MATERIAL  
 PLUNGER : Noryl  
           : coloured  
 BODY : Noryl  
        : coloured  
 SPRING : Spring Steel  
 CONTACT : Brass  
           : gold flash

**Dimensions**



COLOUR	ORDER CODE
BLACK	575-0101
BLUE	575-0201
GREEN	575-0401
RED	575-0501
YELLOW	575-0701

CONVERTED FROM PS0392 ISS4 (07.09.97) IN JAN 2003

DrgNo 575 SERIES TITLE MINIATURE PROBE ALL DIMENSIONS IN MM ANGLS IN DECIMAL DEGREES

<b>DELTRON</b> Components	ISSUE 4	GENERAL SPECIFICATION FOR 575 SERIES	CUSTOMER		FILTER REF	
			Aprvd Date 15/10/03	Aprvd By MC	Drwn by BS	Scale: NTS