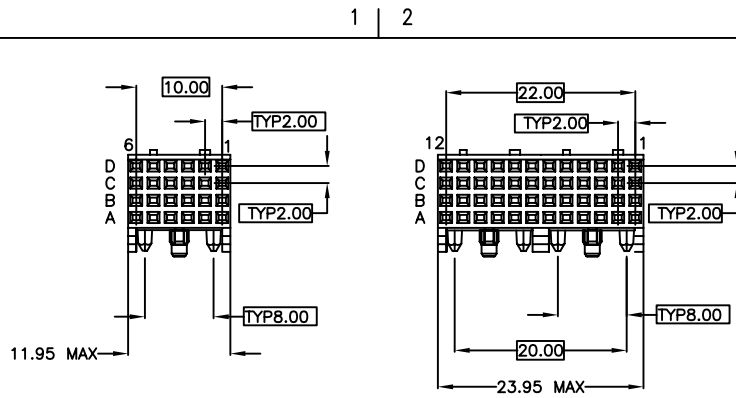


Tous droits strictement réservés. Reproduction ou communication à des tiers interdite sous quelque forme que ce soit sans autorisation écrite du propriétaire. Propriété de c FCI. Droits de reproduction FCI.

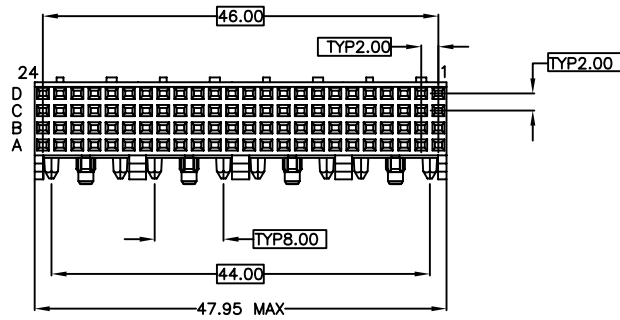


All rights strictly reserved. Reproduction or issue to third parties in any form whatever is not permitted without written authority from the proprietor. Property of FCI. Copyright FCI.

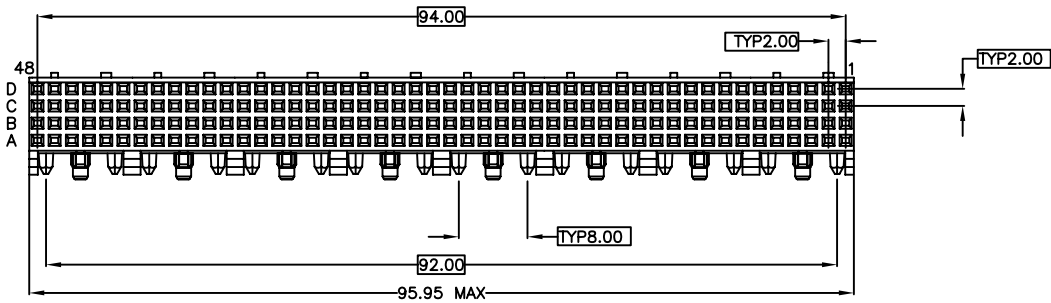


24 POSITION

48 POSITION



96 POSITION



192 POSITION

NOTES: UNLESS OTHERWISE SPECIFIED;

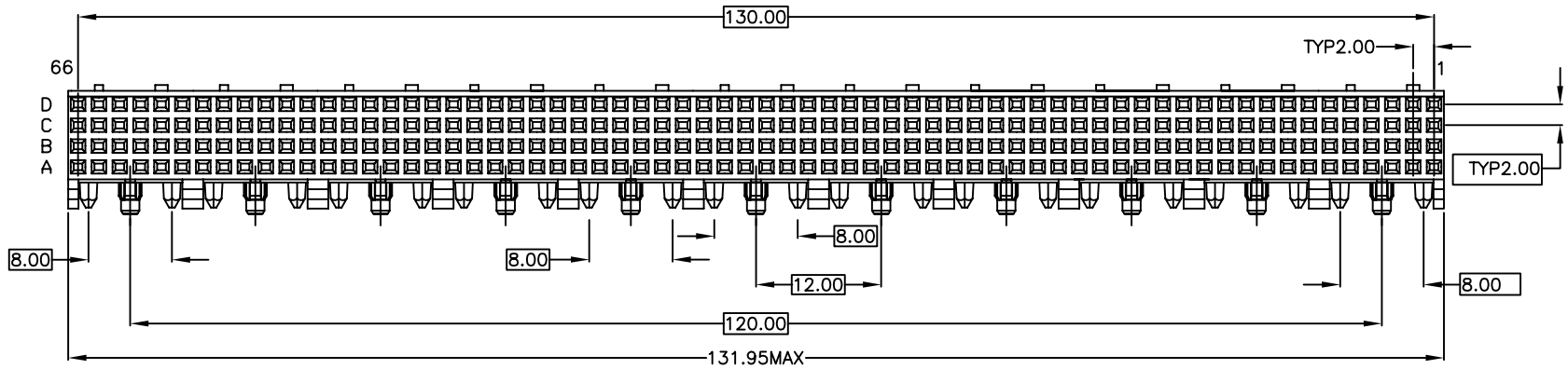
- 1 CONNECTOR MATERILAS:
HOUSING: GLASS FILLED THERMOPLASTIC,
UL94-V0 COMPLIANT
KEEPER: GLASS FILLED THERMOPLASTIC,
UL94-V0 COMPLIANT
TERMINAL: PHOSPHOR BRONZE ALLOY
- 2 CONTACT FINISH:
PERFORMANCE LEVEL 6 = TELCORDIA CO
IEC CLASS I
- 3 FEATURE MAY OR MAY NOT BE PRESENT DEPENDING UPON THE MOLD TOOL USED TO PRODUCE PRODUCT.
- 4 PRODUCT SPECIFICATION: GS-12-177.
- 5 APPLICATION SPECIFICATION: GS-20-015.
- 6 THE PRODUCTS WHERE THE PART NUMBER ENDS IN 'LF' MEET THE EUROPEAN UNION DIRECTIVES AND OTHER COUNTRY REGULATIONS AS DESCRIBED IN GS-22-008.
- 7 ALL PRODUCTS WILL WITHSTAND EXPOSURE TO 260°C FOR 60 SECONDS IN A CONVECTION, INFRA-RED OR VAPOR PHASE REFLOW OVEN.

mat'l. code				tolerances unless otherwise specified		CUSTOMER COPY	 www.fciconnect.com
ltr	ecn no	dr	date	NONE±3			
M	V04-1123	TAB	02/03/05	linear	.X±0.5	projection	
N	V05-0437	VS	07/14/05	angles	.XX±0.13		
P	V05-1026	JRV	11/7/05		0°±1°	 MM	title T SERIES R/A RECEPTACLE ASSY, 4 ROW, STB
				dr	V. SEBASTIAN 07/14/05		
				enr	J. VOLSTROF 07/14/05	scale 4:1	size dwg no A SE96846
				chr	J. VOLSTROF 07/14/05		
				appd	J. VOLSTROF 07/14/05		
sheet index	revision sheet	P 1	P 2	P 3			

Tous droits strictement reserves. Reproduction ou communication a des tiers
interdite sous quelque forme que ce soit sans autorisation ecrite du proprietaire.
Propriete de c FCI. Droits de reproduction FCI.



All rights strictly reserved. Reproduction or issue to third parties in any
form whatever is not permitted without written authority from the proprietor.
Property of FCI. Copyright FCI.



264 POSITION

mat'l. code -				tolerances unless otherwise specified			CUSTOMER COPY		 www.fciconnect.com	
ltr	ecn no	dr	date	linear	NONE±3		projection 	title		
P					.X±0.5			T SERIES R/A RECEPTACLE ASSY, 4 ROW, STB		
					.XX±0.13			product family METRAL code		
				angles	0°±1°		 MM scale 4:1	size dwg no		213
				dr	V. SEBASTIAN	07/14/05		A SE96846		sheet
				enr	J. VOLSTROF	07/14/05				2 of 3
				chr	J. VOLSTROF	07/14/05				
				appd	J. VOLSTROF	07/14/05				
sheet index	revision sheet									

1 | 2

ACAD

PDM: Rev:P

STATUS: Released

cage code
22526

Printed: Dec 20, 2005

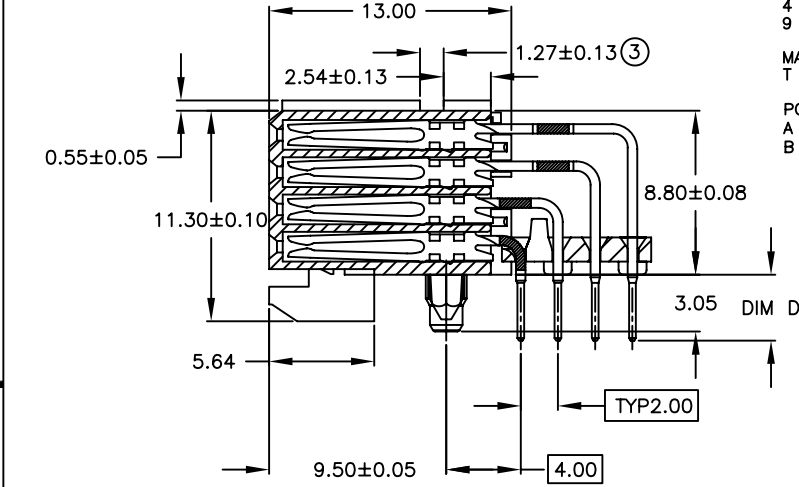
3 |

4

Tous droits strictement reserves. Reproduction ou communication a des tiers interdite sous quelque forme que ce soit sans autorisation écrite du Proprietaire de c FCI. Droits de reproduction FCI.



All rights strictly reserved. Reproduction or issue to third parties in any form whatever is not permitted without written authority from the proprietor. Property of FCI. Copyright FCI.



CATALOG NUMBER DESCRIPTION

PRODUCT FAMILY
HM1 = METRAL HM1

PRODUCT TYPE
F = FEMALE SIGNAL, RIGHT ANGLE

NUMBER OF ROWS
4 = 4 ROW

BODY LENGTH
1 = 12.00 (24 POSITION SIGNAL)
2 = 24.00 (48 POSITION SIGNAL)
3 = 48.00 (96 POSITION SIGNAL)
4 = 96.00 (192 POSITION SIGNAL)
9 = NON-STANDARD

MATING CONTACT
T = TWISTED FEMALE

PCB TERMINATION TYPE
A = SOLDER TAIL, FOR 1.60mm PCB
B = SOLDER TAIL, FOR 2.40mm PCB

LF = LEAD FREE Sn PLATING ON TAILS
_ = SnPb PLATING ON TAILS

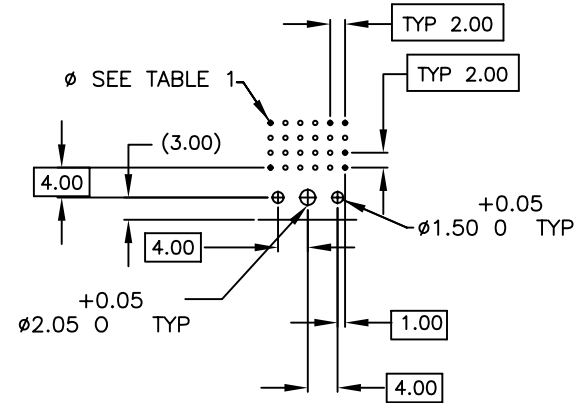
P = PACKAGED IN TRAYS
_ = PACKAGED IN TUBES

PERFORMANCE LEVEL
6 = 125 DAYS OPERATION + 10 DAYS MIXED GAS + 125 DAYS OPERATION
M = 0.38 MICRONS Au MIN OVER Ni

INSULATING MATERIAL
H = HIGH TEMPERATURE MATERIAL

VARIATIONS
000 = STANDARD
802 = 264 POSITION SIGNAL

BOARD ATTACHMENT
R = HEAT STAKE RETENTION PEG OBSOLETE
P = PRESS-FIT RETENTION PEG



RECOMMENDED PC BOARD LAYOUT, COMPONENT SIDE
SEE PRINT 58351 FOR ADDITIONAL PCB INFORMATION

	PCB THICKNESS	DIM D	RETENTION FEATURES
HM1 F 4_ T A R 000 H6	1.60	2.90±0.30	HEAT STAKE PEGS
HM1 F 4_ T B R 000 H6	2.40	3.60±0.30	
HM1 F 4_ T A P 000 H6	1.60	2.90±0.30	PRESS-FIT PEGS
HM1 F 4_ T B P 000 H6	2.40	3.60±0.30	
HM1 F 49 T A P 802 H6	1.60	2.90±0.30	

mat'l. code		tolerances unless otherwise specified		CUSTOMER COPY	www.fciconnect.com
ltr	ecn no	dr	date		
linear		NONE±3		projection	
		.X±0.5			
angles		0°±1°			title T SERIES R/A RECEPTACLE ASSY, 4 ROW, STB
dr		V. SEBASTIAN 07/14/05		product family METRAL	code 213
enr		J. VOLSTROF 07/14/05			
chr		J. VOLSTROF 07/14/05		size A	sheet 3 of 3
appd		J. VOLSTROF 07/14/05			
sheet index		revision sheet		scale 4:1	cage code 22526