

COUNT	DESCRIPTION OF REVISIONS	BY	CHKD	DATE	COUNT	DESCRIPTION OF REVISIONS	BY	CHKD	DATE

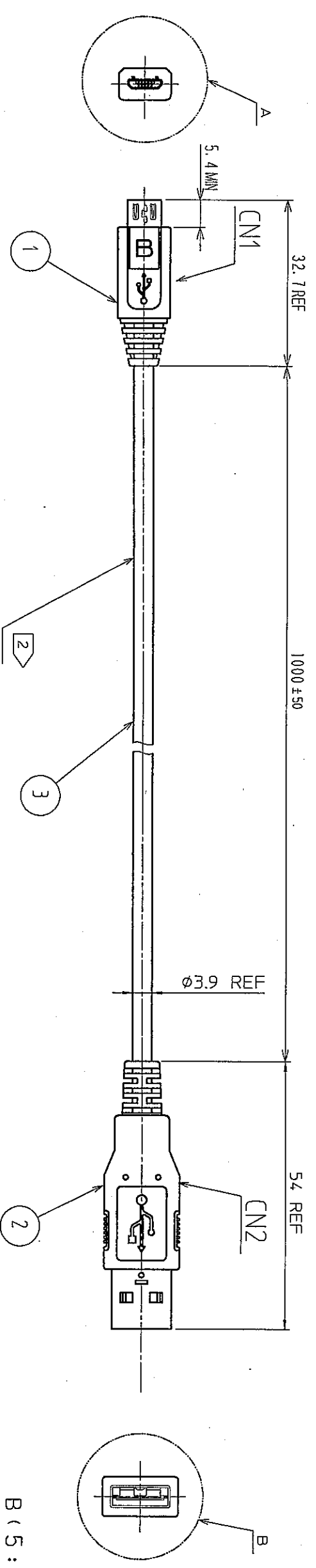
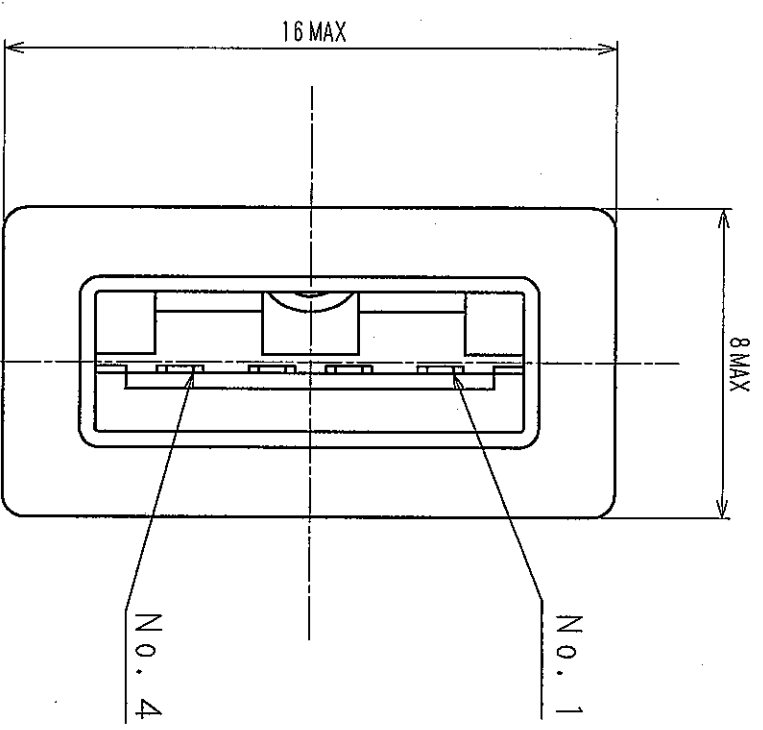
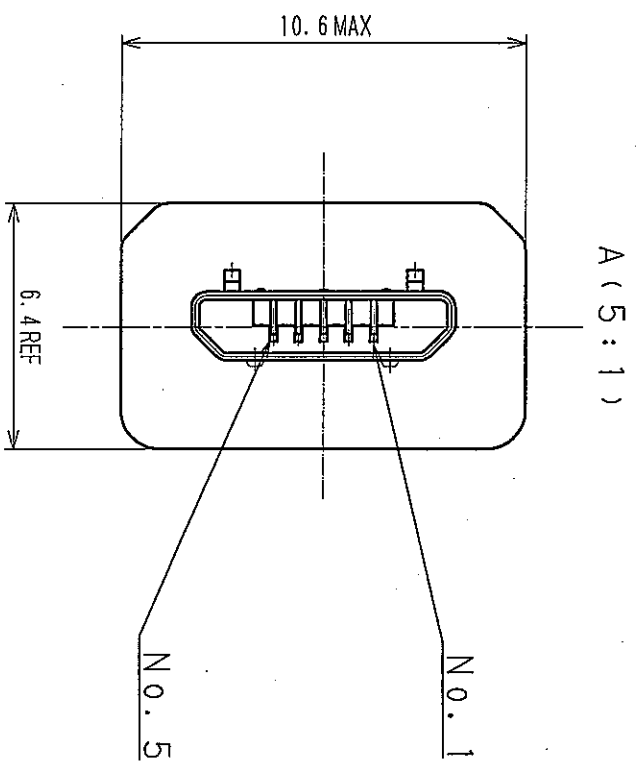


TABLE 1 WIRING DIAGRAM

CN1 CONTACT No.	1	2	3	4	5	SHELL
SIGNAL	VCC	DATA -	DATA +	NON WIRING	GND	BRAIDED WIRE + DRAIN WIRE
WIRING COLOR	RED	WHITE	GREEN		BLACK	
CN2 CONTACT No.	1	2	3	4		SHELL



NOTES  
 1 REFER TO TABLE-1 FOR WIRING OF CN1 AND CN2.  
 2 THIS PRODUCT IS USING THE USB CABLE(USB2.0 1PXAWG28 + 2CXAWG28)

1	CONNECTOR	ZX40-B-5S	FINISH, REMARKS	3	INTERFACE CABLE	2	CONNECTOR	STD A PLUG	2	BLACK
NO.	MATERIAL			NO.	MATERIAL				FINISH, REMARKS	

CODE NO.(OLD) CL

**DRAWING FOR REFERENCE**  
 This is subject to change without notice.

SCALE 1 : 1

DRAWING NO. TEDC3-123632

PART NO. ZX40-B-5S-1000-STDA

HR5 HIROSE ELECTRIC CO., LTD

CL

1/1

ENG 07.1.11 DEPT