

## PRODUCT DATASHEET

### 100VA CHASSIS MOUNTED TRANSFORMER



- DE Designed, Manufactured and tested in accordance with **BS3535, EN60742\* , EN61558\* , EN60950.**
- DE Single 230V or Dual 115V Primaries.
- DE CE Marked.
- DE Comprehensive choice of Secondary Voltages.
- DE Flame Retardant materials to **UL94-V0.**
- DE Fully shrouded double section construction.

Weight	1.55	Kg
Typical Regulation	10	%
Frequency	50/60	Hz
Max Ambient	25	°C
Bobbin Material	UL94-V0 Class "B" 130°C	

\*requires additional over-current /over-temperature protection.

Please see sheet 2 for dimensions, pin outs and connection information.

# DAGNALL ELECTRONICS LIMITED

Shuttleworth Road, Elms Industrial Estate, Bedford. MK41 0EP UK

TEL +44(0)1234 330077 FAX +44(0)1234 330088

E-mail sales@dagnall-electronics.com

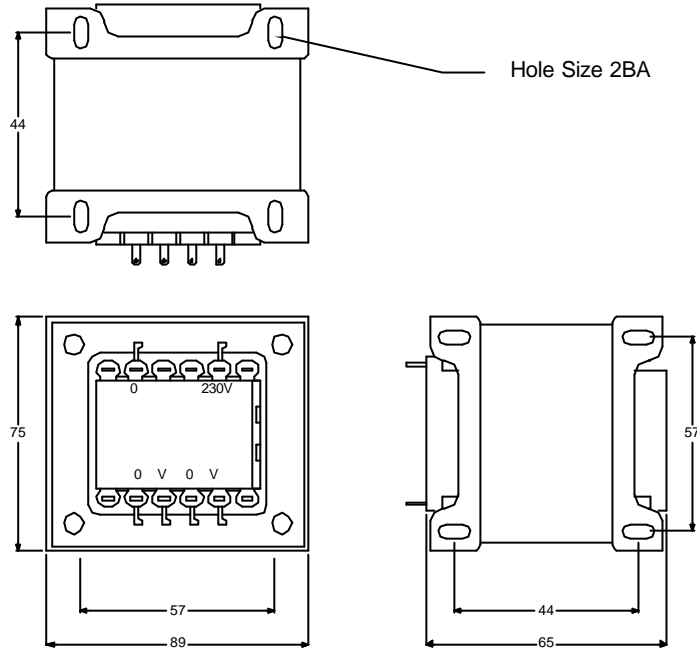
Issue 1. 09/06/03

3 of 4

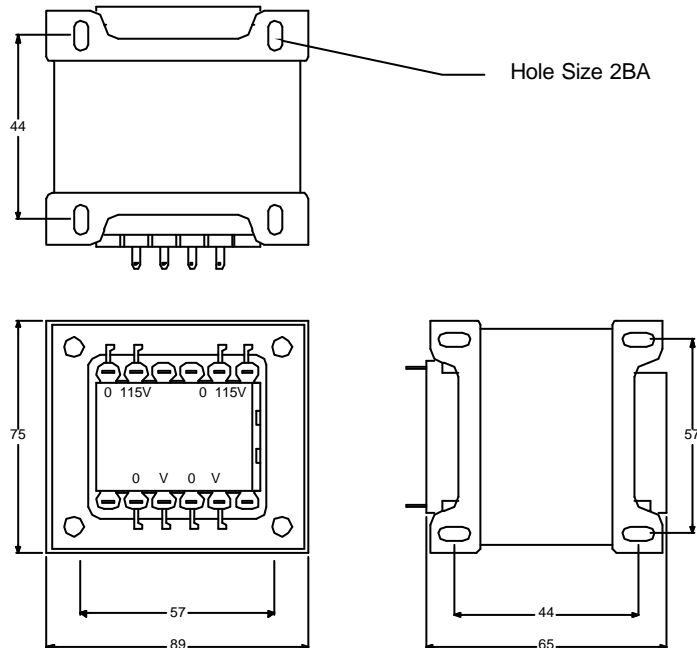
## PRODUCT DATASHEET

### 100VA CHASSIS MOUNTED TRANSFORMER

Outline Drawing 230V Version



Outline Drawing Dual 115V Version



THIS DOCUMENT IS THE PROPERTY OF DAGNALL ELECTRONICS LIMITED WHICH HOLDS THE COPYRIGHT IN THE DRAWING AND ALL THE DESIGN RIGHTS IN THE PRODUCT OR COMPONENTS DESCRIBED. ANY INFORMATION SHALL NOT BE COPIED, REPRODUCED OR DIVULGED TO A THIRD PARTY NOR SHALL THE PRODUCT OR COMPONENTS BE MADE, COPIED OR REPRODUCED OR ITS EXISTENCE DISCLOSED TO A THIRD PARTY WITHOUT THE PRIOR CONSENT IN WRITING OF DAGNALL ELECTRONICS LIMITED. IN THE INTEREST OF TECHNICAL IMPROVEMENT AND/OR CUSTOMER SERVICE DAGNALL ELECTRONICS RESERVES THE RIGHT TO INTRODUCE MODIFIED SPECIFICATIONS TO ANY OF THE PRODUCTS ILLUSTRATED OR DESCRIBED IN THIS DATASHEET. E&OE

# DAGNALL ELECTRONICS LIMITED

Shuttleworth Road, Elms Industrial Estate, Bedford. MK41 0EP UK

TEL +44(0)1234 330077 FAX +44(0)1234 330088

E-mail sales@dagnall-electronics.com

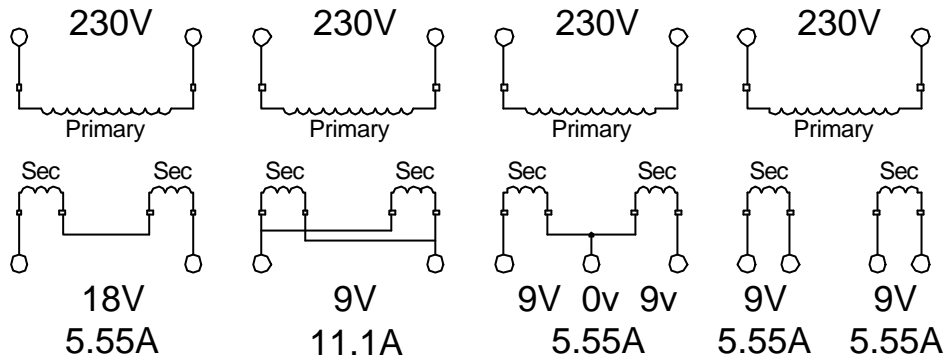
Issue 1. 09/06/03

4 of 4

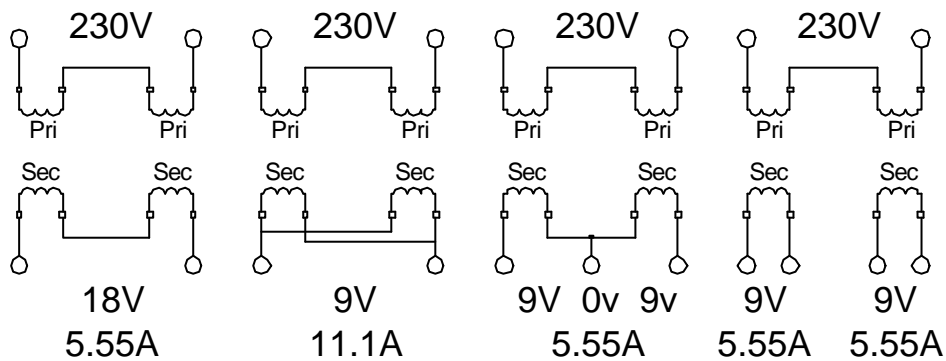
## PRODUCT DATASHEET

### 100VA CHASSIS MOUNTED TRANSFORMER

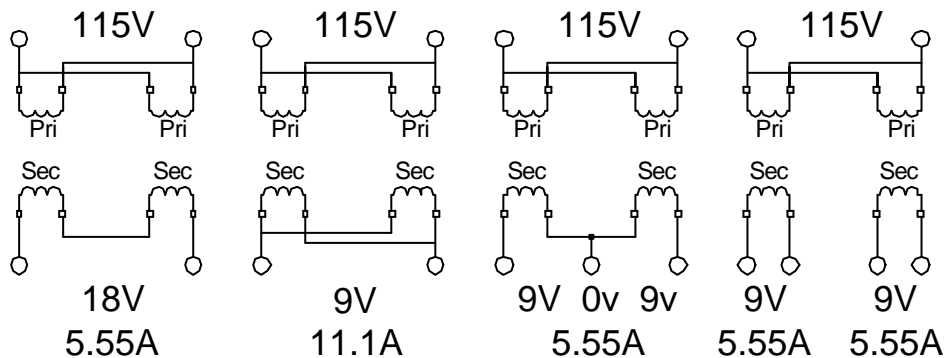
#### Connection Diagrams for D3066



#### Connection Diagrams for D3070 - 230V supply



#### Connection Diagrams for D3070 - 115V supply



## Part Numbers

Part No	Primary	Secondary	Recommended Secondary Fuse
D3066	230V	9+9V	5AT
D3067	230V	12+12V	4AT
D3068	230V	15+15V	3.15AT
D3069	230V	50+50V	1AT
D3070	115+115V	9+9V	5AT
D3071	115+115V	12+12V	4AT
D3072	115+115V	15+15V	3.15AT
D3073	115+115V	50+50V	1AT

Please see sheets 3 and 4 for dimensions, pin outs and connection information.