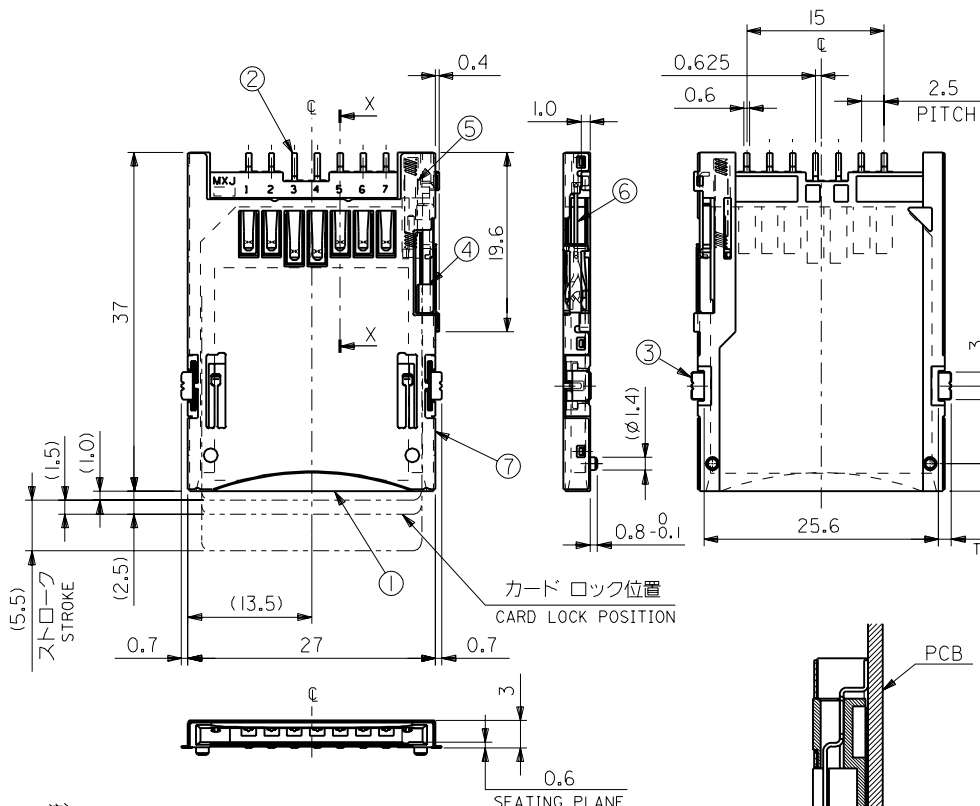
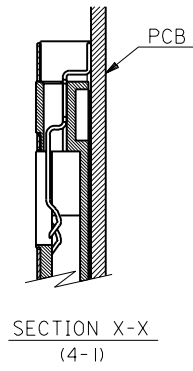
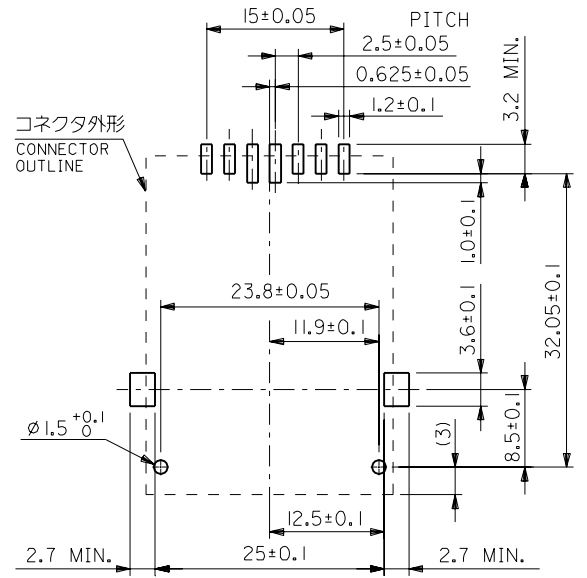


DWG. NO. SD-54674-002



NO.	NAME	QT'Y	MATERIAL
①	ハウジング HOUSING	1	耐熱樹脂、UL 94-V0、色：黒 HEAT RESISTANCE POLYMER, UL94V-0, COLOR:BLACK
②	端子 TERMINAL	7	銅合金、接点部：金めっき COPPER ALLOY /SELECTIVE Au PLATING
③	フィッティングネール FITTING NAIL	2	銅合金、半田めっき COPPER ALLOY /Sn-Pb PLATING
④	スライダー SLIDER	1	耐熱樹脂、UL 94-V0、色：黒 HEAT RESISTANCE POLYMER, UL94V-0, COLOR:BLACK
⑤	ばね SPRING	1	ピアノ線 SWP ニツゲルめっき NI PLATING
⑥	ピン PIN	1	ステンレス鋼 STAINLESS STEEL
⑦	金属カバー METAL COVER	1	ステンレス鋼 STAINLESS STEEL



- 注) NOTE.
- 端子平坦度は、0.1 MAX.
COPLANARITY TO BE 0.1 MAX.
 - エンボス梱包品の詳細は、SD-54674-004 参照
REFER TO THE SD-54674-004 FOR EMBOSSED PACKAGING.

推奨基板寸法
RECOMMENDED PCB PATTERN DIM.

54674-0718	54674-0711
エンボス梱包品 EMBOSSED PACKAGING	製品番号 MATERIAL NO.
MODEL NO. : 54674-***I	

EC NO. DRWN: CHK: APPR:	EC NO. DRWN: CHK: APPR:	EC NO. DRWN: CHK: APPR:	変更 REVISED EC NO. JD2001-0779 DRWN: M.YAGI 00/11/30 CHK: S.TCHIKAWA/Y.ITO APPR: H.IKESUGI	新規作成 RELEASED EC NO. JD2000-0807 DRWN: M.YAGI 00/02/08 CHK: S.TCHIKAWA/Y.ITO APPR: H.IKESUGI	DESCRIPTION	MATERIAL 材料	GENERAL TOLERANCES: (UNLESS SPECIFIED) 一般公差	SCALE 2-1	DESIGN UNITS mm □ INCH	THIRD ANGLE PROJECTION	TITLE:	DIMENSIONS: mm □ INCH	SHT	REV	REVISE ON CAD ONLY	
SEE TABLE	SEE TABLE	SEE TABLE	SEE TABLE	SEE TABLE	SEE TABLE	SEE TABLE	10 UNDER 未満	±0.2	DRAWN BY & DATE 99/09/17	THIRD ANGLE PROJECTION	2.5mm PITCH MMC CONN. ASS'Y	mm □ INCH	□ mm □ INCH	□ mm □ INCH	□ mm □ INCH	REVISE ON CAD ONLY
SEE TABLE	SEE TABLE	SEE TABLE	SEE TABLE	SEE TABLE	SEE TABLE	FINISH 仕上げ	10 OVER 以上	±0.25	CHECKED BY & DATE	THIRD ANGLE PROJECTION	2.5mm PITCH MMC CONN. ASS'Y	mm □ INCH	□ mm □ INCH	□ mm □ INCH	REVISE ON CAD ONLY	
SEE TABLE	SEE TABLE	SEE TABLE	SEE TABLE	SEE TABLE	SEE TABLE	WIRE RANGE 適用線径範囲	30 UNDER 未満	±0.3	APPROVED BY & DATE	THIRD ANGLE PROJECTION	2.5mm PITCH MMC CONN. ASS'Y	mm □ INCH	□ mm □ INCH	□ mm □ INCH	REVISE ON CAD ONLY	
SEE TABLE	SEE TABLE	SEE TABLE	SEE TABLE	SEE TABLE	SEE TABLE	INS. RANGE 被覆外径	30 OVER 以上	±0.3	CAD FILE NAME	THIRD ANGLE PROJECTION	2.5mm PITCH MMC CONN. ASS'Y	mm □ INCH	□ mm □ INCH	□ mm □ INCH	REVISE ON CAD ONLY	
SEE TABLE	SEE TABLE	SEE TABLE	SEE TABLE	SEE TABLE	SEE TABLE	ANGLE 角度	ANGLE 角度	±3°	MATERIAL NO.	THIRD ANGLE PROJECTION	2.5mm PITCH MMC CONN. ASS'Y	mm □ INCH	□ mm □ INCH	□ mm □ INCH	REVISE ON CAD ONLY	
THIS DRAWING CONTAINS INFORMATION THAT IS PROPRIETARY TO MOLEX INCORPORATED AND SHOULD NOT BE USED WITHOUT WRITTEN PERMISSION.											SIZE B					

DWG. NO.
SD-54674-004

8

7

6

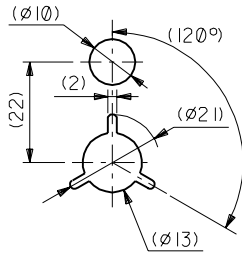
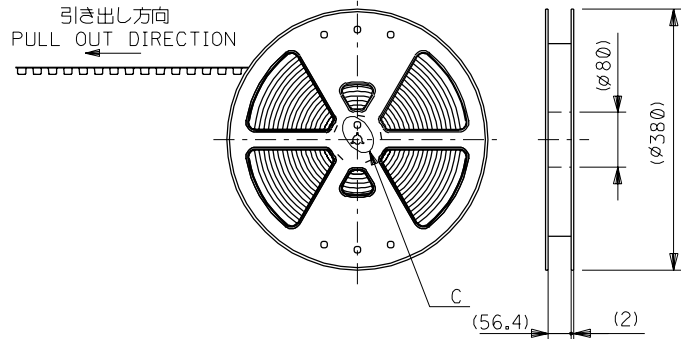
5

4

3

2

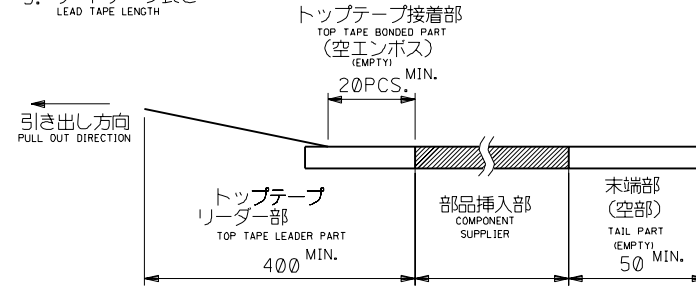
1



DETAIL C

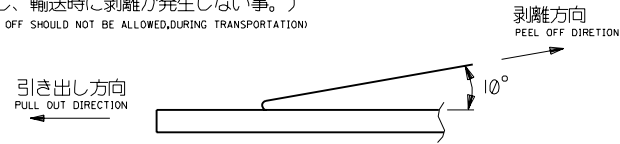
注)
NOTES

- 製品番号 54674-0711の詳細寸法については、SD-54674-002 を参照下さい。
IN THE PACKAGE, PART NO.54674-0711 DETAILED DIMENSIONS, SEE SD-54674-002
- 梱包数量 : 400 個/リール
NUMBER OF CONNECTORS : 400 PCS/REEL
- リードテープ長さ
LEAD TAPE LENGTH



- トップテープの剥離強度 : (剥離方向は下図参照)
PEELING OFF FORCE OF TOP TAPE (PEELING DIRECTION AS SHOWN IN FOLLOWING FIG.)
0.1~1.3N (10.2~130gf) : キャリアテープ幅 56mm
CARRIER TAPE WIDTH 56mm

尚、本規格値は、出荷時に適用。
THIS REQUIREMENT SHOULD BE APPLIED AT SHIPMENT
(但し、輸送時に剥離が発生しない事。)
(PEEL OFF SHOULD NOT BE ALLOWED, DURING TRANSPORTATION)



- 材料
MATERIAL
キャリアテープ : ポリプロピレン (PP)
CARRIER TAPE : POLYPROPYLENE (PP)
トップテープ : PET, PE, PEF
TOP TAPE : PET, PE, PEF
リール : ポリスチレン
REEL : POLYSTYLENE

54674-0718	54674-***18
MATERIAL No.	MODEL No.
DIMENSIONS:	
<input type="checkbox"/> mm <input type="checkbox"/> INCH	<input checked="" type="checkbox"/> mm ONLY
SHT	REV
REVISE ON CAD ONLY	

DO NOT SCALE DRAWING

EC NO. DRWN: CHK: APPR:	EC NO. DRWN: CHK: APPR:	EC NO. DRWN: CHK: APPR:	変更 REVISED EC NO. JD2001-1072 DRWN: A.IDA '01/02/05 CHK: M.YAGI/Y.ITO APPR:HIKESUGI	新規作成 RELEASED EC NO. JD2000-0807 DRWN: M.YAGI '99/09/27 CHK: S.TCHIKAWA/Y.ITO APPR:HIKESUGI	DESCRIPTION
FINISH 仕上げ	—	WIRE RANGE 適用線幅範囲	—	INS. RANGE 被覆外径	—

MATERIAL 材料	注参照 SEE NOTES
----------------	------------------

GENERAL TOLERANCES: (UNLESS SPECIFIED) 一般公差	SCALE	DESIGN UNITS	THIRD ANGLE PROJECTION
10 UNDER 未満	±0.2	<input checked="" type="checkbox"/> mm <input type="checkbox"/> INCH	<input type="checkbox"/> mm <input type="checkbox"/> INCH <input checked="" type="checkbox"/> mm ONLY
10 OVER 以上	±0.25		
30 OVER 以上	±0.3		
ANGLE 角度	±3°		

DRAWN BY & DATE G. Arai '99/09/27	TITLE: 54674-0711 TAPING PACKAGE
CHECKED BY & DATE S. Ichikawa / Y.Ito	
APPROVED BY & DATE Y. Hasegawa	
CAD FILE NAME 54674004.S01	

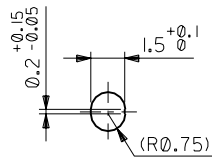
molex MOLEX INCORPORATED	
MATERIAL NO. 54674-0718	DRAWING NO. SD-54674-004
SHEET NO. 1 OF 2	SIZE B

THIS DRAWING CONTAINS INFORMATION THAT IS PROPRIETARY TO MOLEX INCORPORATED AND SHOULD NOT BE USED WITHOUT WRITTEN PERMISSION.

EN-02J(097) MXJ-54

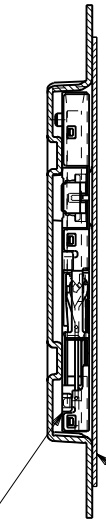
54674004.S01

DWG. NO. SD-54674-004

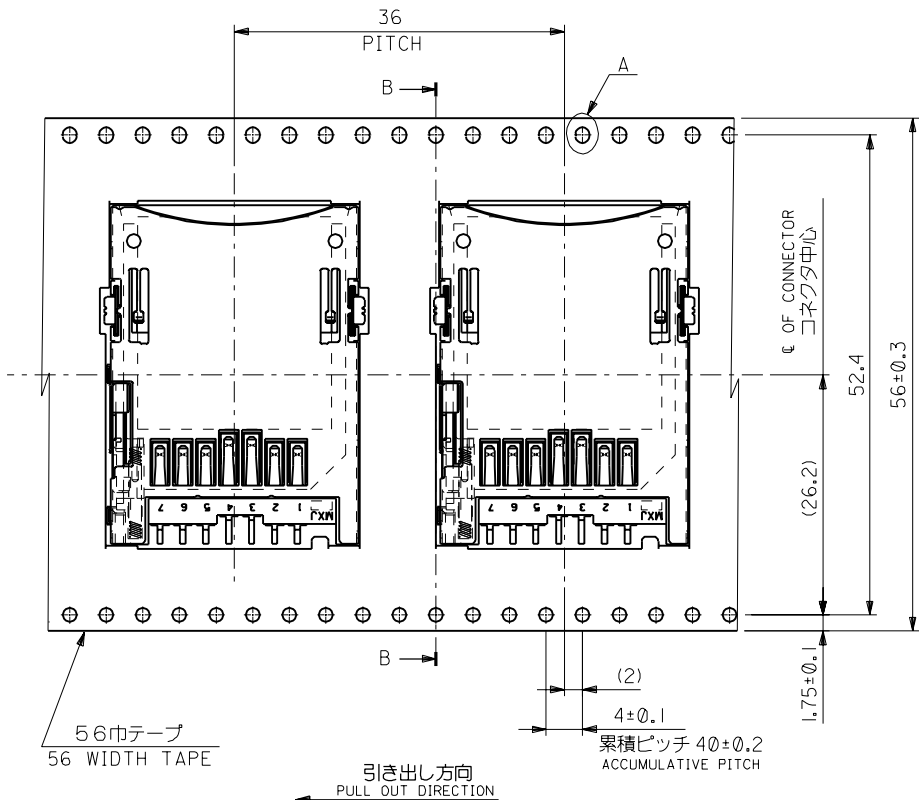


DETAIL A
(5-1)

54674-0711
CONN. ASS'Y



SECTION B-B



DO NOT SCALE DRAWING

EC NO. DRAWN: CH/K APPR:		EC NO. DRAWN: CH/K APPR:		EC NO. DRAWN: CH/K APPR:		EC NO. DRAWN: CH/K APPR:		EC NO. DRAWN: CH/K APPR:		DESCRIPTION		MATERIAL 材料		GENERAL TOLERANCES: (UNLESS SPECIFIED) 一般公差		SCALE		DESIGN UNITS <input checked="" type="checkbox"/> mm <input type="checkbox"/> INCH		THIRD ANGLE PROJECTION		DIMENSIONS: <input type="checkbox"/> mm <input type="checkbox"/> INCH <input checked="" type="checkbox"/> mm ONLY		SHT REV	
SEE SHEET 1 OF 2		SEE SHEET 1 OF 2		SEE SHEET 1 OF 2		SEE SHEET 1 OF 2		SEE SHEET 1 OF 2		DESCRIPTION		SEE SHEET 1 OF 2		10 UNDER 未満		DRAWN BY & DATE G. Appi '99/09/27		TITLE: 54674-0711 TAPING PACKAGE		REVISE ON CAD ONLY		REV			
FINISH 仕上げ		#		10 OVER 以上		30 UNDER 未満		+0.2		CHECKED BY & DATE S. Ichikawa / Y.Ota		APPROVED BY & DATE S. Ichikawa		30 OVER 以上		+0.25		MOLEX INCORPORATED		MATERIAL NO. SEE 1 OF 2		DRAWING NO. SD-54674-004		SHEET NO. 2	
WIRE RANGE 適用導線範囲		#		ANGLE 角度		±3°		CAD FILE NAME 54674004.S02		MATERIAL NO. SEE 1 OF 2		DRAWING NO. SD-54674-004		SHEET NO. 2		THIS DRAWING CONTAINS INFORMATION THAT IS PROPRIETARY TO MOLEX INCORPORATED AND SHOULD NOT BE USED WITHOUT WRITTEN PERMISSION.		SIZE B		EN-02J(097) MXJ-54		54674004.S02			

8

7

6

5

4

3

2

EN-02J(097) MXJ-54

A