

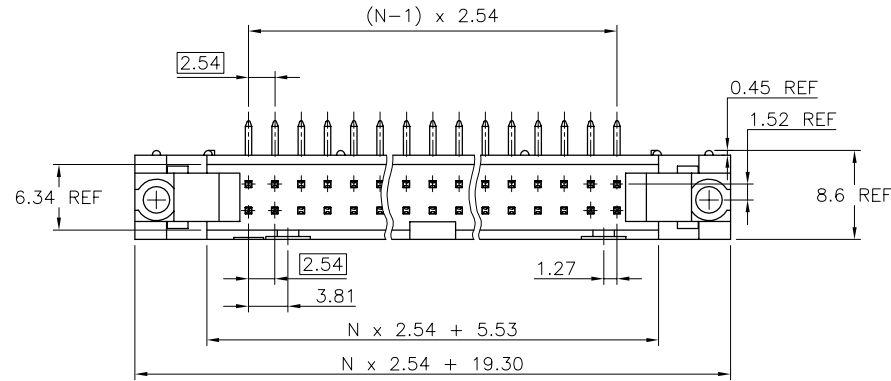
PRODUCT NUMBER

71922 - Y X X

LATCHING

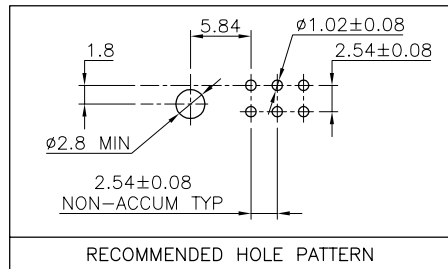
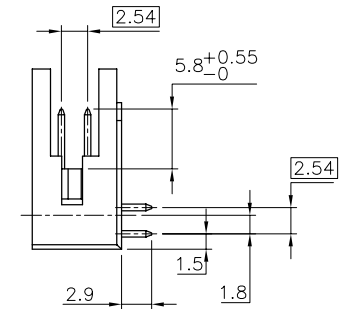
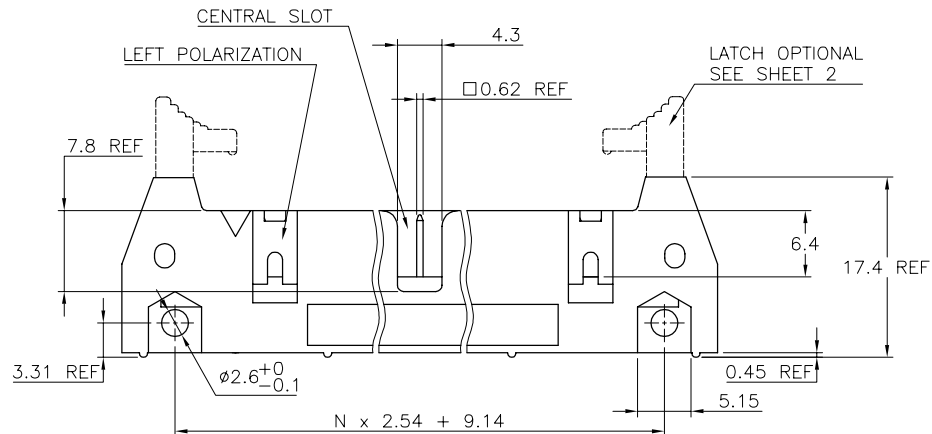
- 0 = WITHOUT LATCH
- 1 = STANDARD LATCH
- 2 = LOW PROFILE LATCH

TOTAL NB OF POSITIONS
6 TO 64



NOTES:

- 1 - HOUSING MAT'L : GLASS FILLED THERMOPLASTIC. UL94V-0 COLOR: GREY
- 2 - PIN MATERIAL : PHOSPHOR BRONZE
- 3 - PRODUCTS PACKED IN TUBES
- 4 - 40N MIN LATCH RETENTION FORCE AT FIRST EXTRACTION
- 5 - TO DETERMINE DIMENSIONS :
N = NUMBER OF POSITIONS PER ROW
EXAMPLE : 8 POS N x 2.54 = 20.32mm
- 6 - NO CENTRAL SLOT ON POSITIONS 6 & 8
- 7 - NO LEFT POLARIZATION ON POSITIONS 06, 08, 10, 14.
- 8 - 4.5mm SOLDER TAIL
ORDER 71922-4XX (WITH STANDARD LATCH ONLY)



mat'l. code		tolerances unless otherwise specified		CUSTOMER COPY		ELECTRONICS www.fciconnect.com	
SEE NOTES				projection		title	
ltr	ecn no dr date	linear				SHR.EL.HEADER	
M	F04-0121 LMU 04.01.27	.xx ±0.3		mm		RA DR TMT	
N	F04-0176 LMU 04.04.22	.xx ±0.15		scale		product family QUICKIE	
P	F04-0325 JCO 04.08.16	.xxx ±0.05		2:1		size dwg no	
		angles				code	
		dr		D.LE		213	
J	F10309 DLE 01.05.10	engr		JM.C		sheet	
K	F03042 JCO 03.02.25	chr		JF.N		1 of 2	
L	F03-0257 LMU 03.08.31	appd		JM.C			
sheet index	revision	P	K				
	sheet	1	2				

