

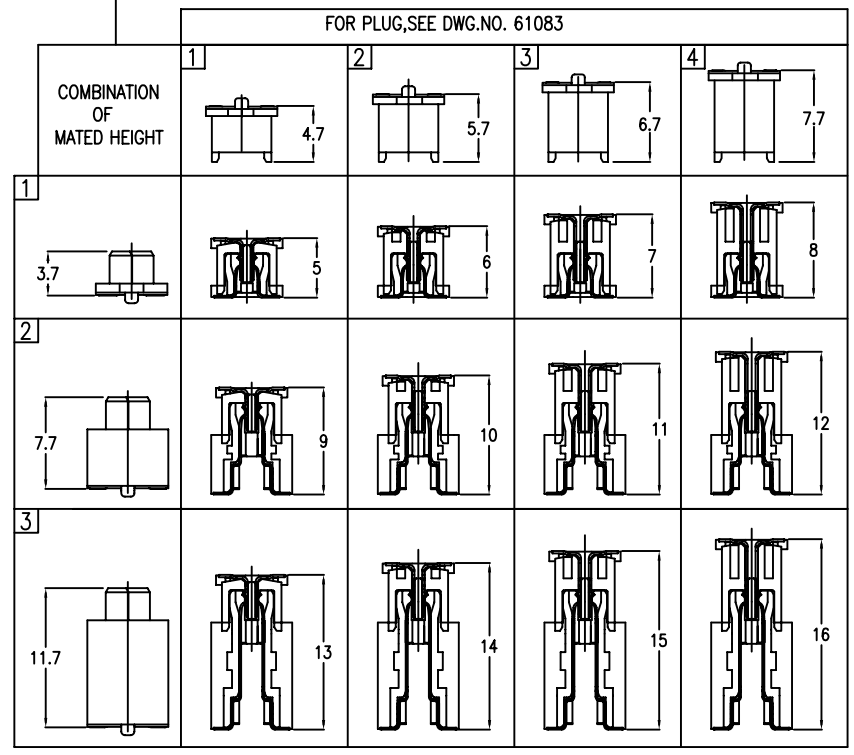
Tous droits strictement réservés. Reproduction ou communication a des tiers interdite sous quelque forme que ce soit sans autorisation écrite du propriétaire. Propriété de c FCI. Droits de reproduction FCI.



All rights strictly reserved. Reproduction or issue to third parties in any form whatever is not permitted without written authority from the proprietor. Property of FCI. Copyright FCI.

61082-□□□□□□

NUMBER OF POSITIONS	
04	2 X20
06	2 X30
08	2 X40
10	2 X50
12	2 X60
14	2 X70
16	2 X80
18	2 X90
20	2 X100



PACKAGING	
0	TUBE WITHOUT CAP
2	TAPE & REEL WITH CAP
9	TUBE WITH CAP
3	TRAY WITH CAP

POLARIZATION PEG		HOLD DOWN	
0	YES	NO	NO
2	NO	NO	NO

PLATING ON CONTACT AREA		
0	GOLD 0.2 um MIN. / TIN LEAD SOLDER	(EMPTY)
1	PALLADIUM-NICKEL 0.76 umMIN. WITH GOLD FLASH (0.1 um MIN.) / TIN LEAD SOLDER	(EMPTY)
4	GOLD 0.2um MIN. / MATT PURE TIN ON SOLDER TAIL (LEAD FREE PLATING)	LF (note 7&8.)
5	GOLD 0.38um MIN. / MATT PURE TIN ON SOLDER TAIL (LEAD FREE PLATING)	LF (note 7.)
6	PALLADIUM-NICKEL 0.76 umMIN. WITH GOLD FLASH (0.1 um MIN.) / MATT PURE TIN SOLDER (LEAD FREE PLATING)	LF (note 7&8.)

NOTES:

1. MATERIAL
HOUSING: G.F.LCP UL94V-0
TERMINAL: BERYLLIUM COPPER.
2. PLATING
AS TABLE SHOW.
3. SEE GS-12-148 FOR PRODUCT SPECIFICATION.
4. SEE GS-14-551 AND GS-14-816 FOR PACKAGING SPECIFICATION.
5. PACKING OPTION 3: "CUSTOMER-SPECIFIC PACKAGING; LIMITED TO CERTAIN SIZES."
PACKING OPTION 2: "NOT ALL SIZES ARE AVAILABLE; CHECK WITH FACTORY"
6. THE HOUSING WILL WITHSTAND EXPOSURE TO 260°C PEAK TEMPERATURE FOR 10 SECONDS IN A CONVECTION, INFRA-RED OR VAPOR PHASE REFLOW OVEN
- ⑦ THIS PRODUCT MEETS EUROPEAN UNION DIRECTIVES AND OTHER COUNTRY REGULATIONS AS DESCRIBED IN GS-22-008

⑧ PLATING OPTION '4' IS LEADFREE ALTERNATIVE FOR OPTION '0', AND OPTION '6' IS LEADFREE ALTERNATIVE FOR OPTION '1'.

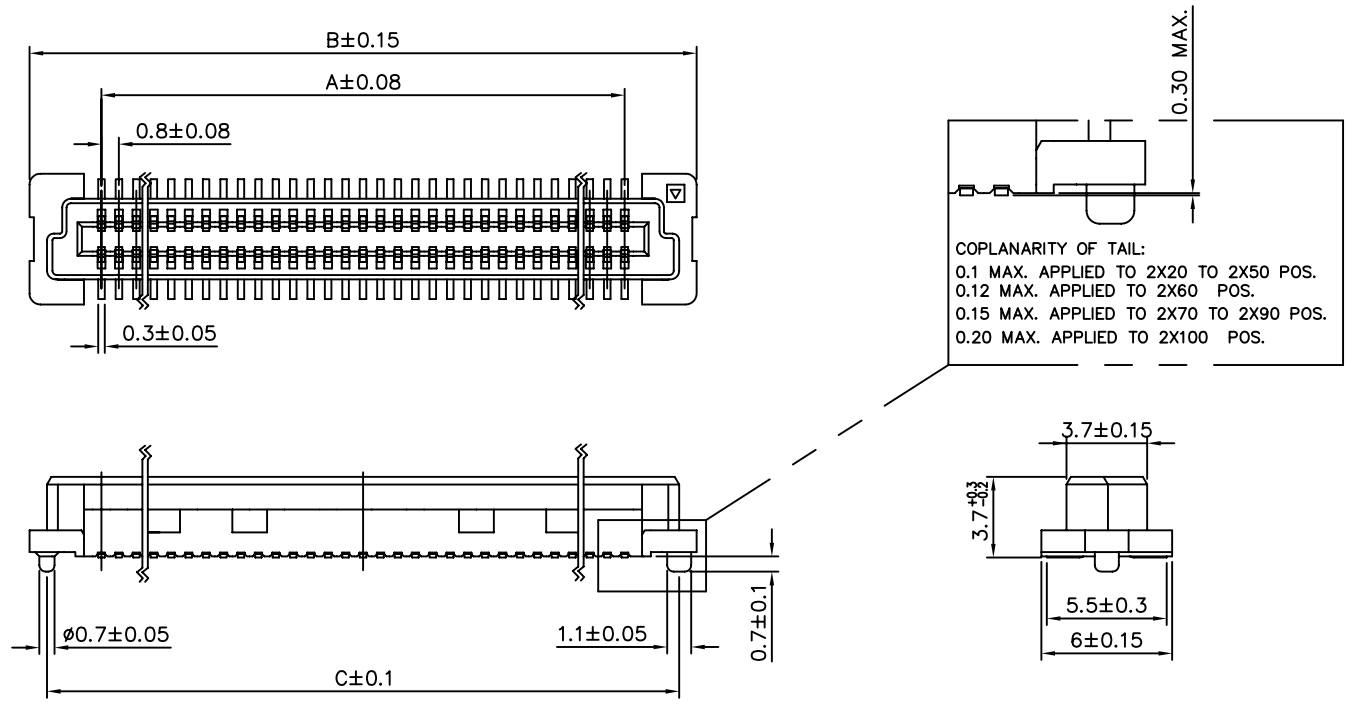
mat'l. code				tolerances unless otherwise specified				CUSTOMER COPY		 www.fciconnect.com	
ltr	ecn no	dr	date	linear	.X ± 0.20				projection	title	
N	T03-0422	M W	09/24/03		.XX ± 0.15					0.8mm BOARD TO BOARD RECEPTACLE ASS'Y	
P	T03-0458	M W	10/17/03		.XXX ± 0.10					product family BERGSTAK code	
R	S03-170	M W	01/30/04		angles	0° ±2°				size dwg no	
S	T04-0094	M W	03/05/04	dr	MAGGIE WU	03/26/99		 MM	A4		
T	S04-0133	M W	06/23/04	enr	YU WEN CHU	03/26/99			61082		
U	S04-0167	C H	07/30/04	chr	CHEN HONG	03/31/05			sheet		
V	S05-0098	C H	03/31/05	appd	NG JOEY	03/31/05			1 of 6		
sheet index	revision sheet	V	R	P	R	R	P				
		1	2	3	4	5	6				

1 | 2

3 |

4

PRODUCT NO.	NUMBER OF POSITIONS	DIMENSION		
		A	B	C
61082-041***	2 X20	15.2	21.8	20.2
61082-061***	2 X30	23.2	29.8	28.2
61082-081***	2 X40	31.2	37.8	36.2
61082-101***	2 X50	39.2	45.8	44.2
61082-121***	2 X60	47.2	53.8	52.2
61082-141***	2 X70	55.2	61.8	60.2
61082-161***	2 X80	63.2	69.8	68.2
61082-181***	2 X90	71.2	77.8	76.2
61082-201***	2 X100	79.2	85.8	84.2



RECEPTACLE 1

Tous droits strictement reserves. Reproduction ou communication a des tiers interdite sous quelque forme que ce soit sans autorisation ecrite du proprietaire. Propriete de c FCI. Droits de reproduction FCI.

FCI

All rights strictly reserved. Reproduction or issue to third parties in any form whatever is not permitted without written authority from the proprietor. Property of FCI. Copyright FCI.

mat'l. code				tolerances unless otherwise specified		CUSTOMER COPY		FCI www.fciconnect.com		
ltr	ecn no	dr	date	linear	.X ± 0.20	projection		title		
R					.XX ± 0.15			0.8mm BOARD TO BOARD RECEPTACLE ASS'Y		
					.XXX ± 0.10			product family BERGSTAK code		
				angles	0° ±2°			size/dwg no		
				dr	MAGGIE WU 03/26/99			A4 61082		sheet
				engr	YU WEN CHU 03/26/99			2 of		
				chr	YU WEN CHU 03/26/99			scale 3:1		
				appd	JOSEPH HSIA 03/26/99			cage code		
sheet index	revision sheet						22526		4	

1 | 2

3 |

4

ACAD

PDM: Rev:V

STATUS: Released

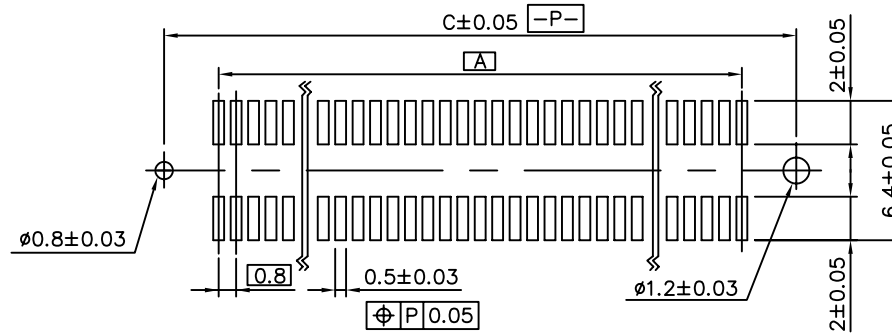
Printed: May 18, 2005

Tous droits strictement reserves. Reproduction ou communication a des tiers interdite sous quelque forme que ce soit sans autorisation écrite du propriétaire. Propriete de c FCI. Droits de reproduction FCI.

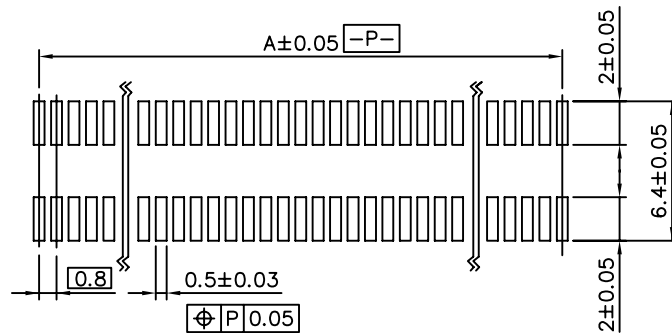


All rights strictly reserved. Reproduction or issue to third parties in any form whatever is not permitted without written authority from the proprietor. Property of FCI. Copyright FCI.

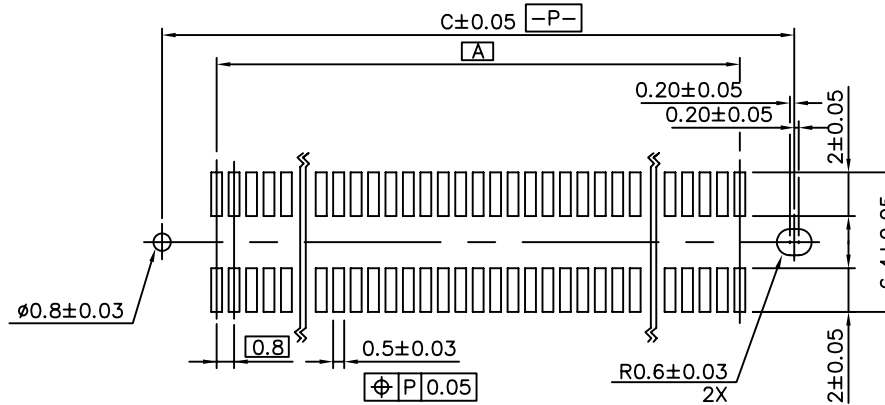
FOR RECEPTACLE 1



RECOMMENDED PCB LAYOUT WITH PEG
FOR NO. OF POSITION 2X20, 2X30, 2X40, 2X50, 2X60



RECOMMENDED PCB LAYOUT WITHOUT PEG AND HOLDDOWN



RECOMMENDED PCB LAYOUT WITH PEG
FOR NO. OF POS. 2X70, 2X80, 2X90, 2X100

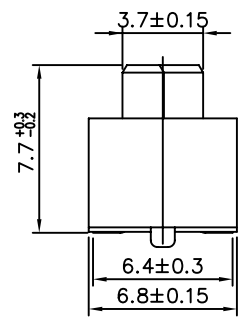
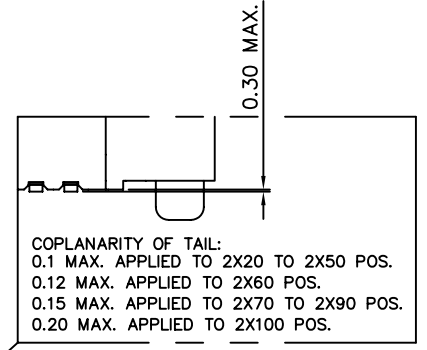
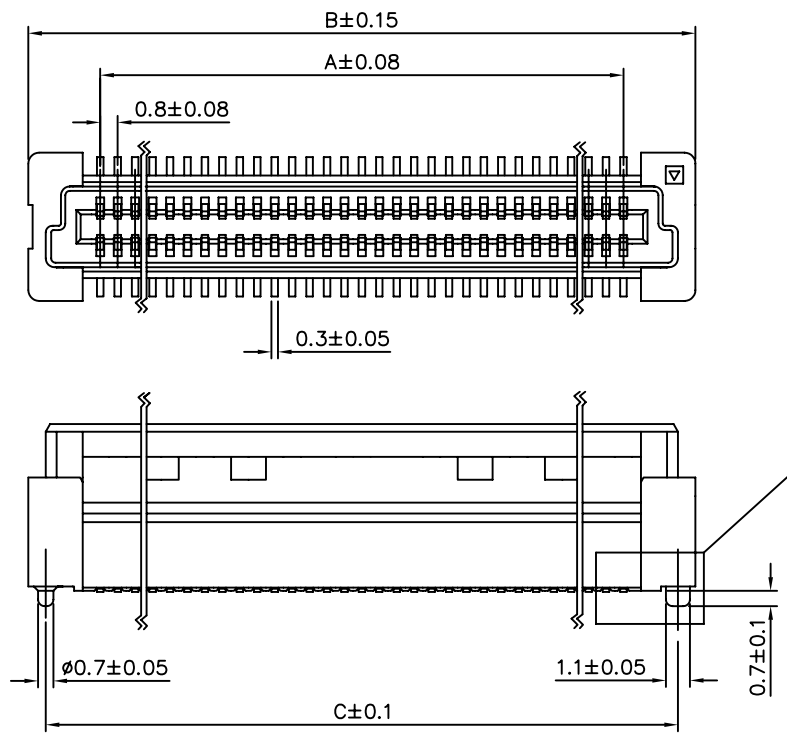
mat'l. code				tolerances unless otherwise specified		CUSTOMER COPY	www.fciconnect.com	
ltr	ecn no	dr	date	linear	.X ± 0.20		projection	title
P					.XX ± 0.15			0.8mm BOARD TO BOARD RECEPTACLE ASS'Y
				angles	.XXX ± 0.10		MM	product family
				dr	0° ±2°	scale		BERGSTAK
				engr			3:1	size
				chr	MAGGIE WU 03/26/99	A4		61082
				enr	YU WEN CHU 03/26/99		sheet	
				chr	YU WEN CHU 03/26/99	3 of		
				appd	JOSEPH HSIA 03/26/99			
sheet index	revision sheet							

1 | 2

3 |

4

PRODUCT NO.	NUMBER OF POSITIONS	DIMENSION		
		A	B	C
61082-042***	2 X20	15.2	21.8	20.2
61082-062***	2 X30	23.2	29.8	28.2
61082-082***	2 X40	31.2	37.8	36.2
61082-102***	2 X50	39.2	45.8	44.2
61082-122***	2 X60	47.2	53.8	52.2
61082-142***	2 X70	55.2	61.8	60.2
61082-162***	2 X80	63.2	69.8	68.2
61082-182***	2 X90	71.2	77.8	76.2
61082-202***	2 X100	79.2	85.8	84.2



RECEPTACLE 2

Tous droits strictement reserves. Reproduction ou communication a des tiers interdite sous quelque forme que ce soit sans autorisation ecrite du proprietaire. Propriete de c FCI. Droits de reproduction FCI.



All rights strictly reserved. Reproduction or issue to third parties in any form whatever is not permitted without written authority from the proprietor. Property of FCI. Copyright FCI.

mat'l. code				tolerances unless otherwise specified		CUSTOMER COPY		 www.fciconnect.com		
ltr	ecn no	dr	date	linear	.X ± 0.20		projection	title		
R					.XX ± 0.15				0.8mm BOARD TO BOARD RECEPTACLE ASS'Y	
					.XXX ± 0.10				product family BERGSTAK code	
				angles	0° ±2°		 MM	size/dwg no		
				dr	MAGGIE WU	03/26/99		scale 3:1	A4 61082 sheet 4 of	
				enr	YU WEN CHU	03/26/99	code			
				chr	YU WEN CHU	03/26/99	sheet 4 of			
				appd	JOSEPH HSIA	03/26/99				
sheet index	revision sheet									

1 | 2

3 |

4

ACAD

PDM: Rev:V

STATUS: Released

cage code 22526

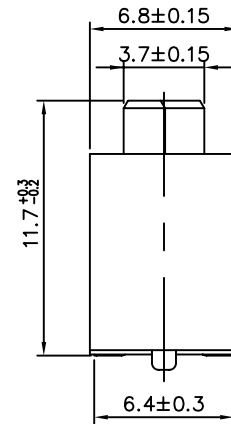
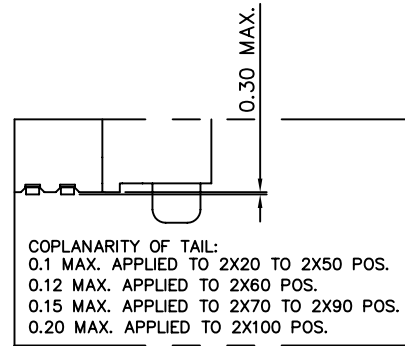
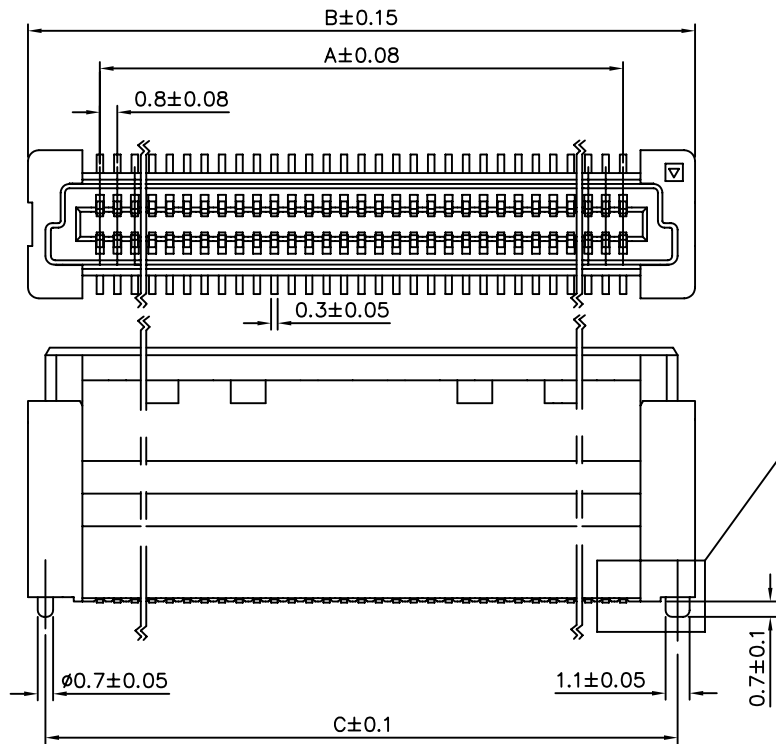
Printed: May 18, 2005

Tous droits strictement réservés. Reproduction ou communication à des tiers interdite sous quelque forme que ce soit sans autorisation écrite du propriétaire. Propriété de c FCI. Droits de reproduction FCI.

FCI

All rights strictly reserved. Reproduction or issue to third parties in any form whatever is not permitted without written authority from the proprietor. Property of FCI. Copyright FCI.

PRODUCT NO.	NUMBER OF POSITIONS	DIMENSION		
		A	B	C
61082-043***	2 X20	15.2	21.8	20.2
61082-063***	2 X30	23.2	29.8	28.2
61082-083***	2 X40	31.2	37.8	36.2
61082-103***	2 X50	39.2	45.8	44.2
61082-123***	2 X60	47.2	53.8	52.2
61082-143***	2 X70	55.2	61.8	60.2
61082-163***	2 X80	63.2	69.8	68.2
61082-183***	2 X90	71.2	77.8	76.2
61082-203***	2 X100	79.2	85.8	84.2



RECEPTACLE 3

mat'l. code				tolerances unless otherwise specified		CUSTOMER COPY		FCI www.fciconnect.com		
ltr	ecn no	dr	date	linear	.X ± 0.20	projection		title		
R					.XX ± 0.15			0.8mm BOARD TO BOARD RECEPTACLE ASS'Y		
					.XXX ± 0.10					
				angles	0° ±2°			product family		
				dr	MAGGIE WU 03/26/99			BERGSTAK		code
				engr	YU WEN CHU 03/26/99			size		sheet
				chr	YU WEN CHU 03/26/99			61082		5 of
				appd	JOSEPH HSIA 03/26/99	scale				
sheet index		revision sheet				A4				

cage code 22526

ACAD

PDM: Rev:V

STATUS: Released

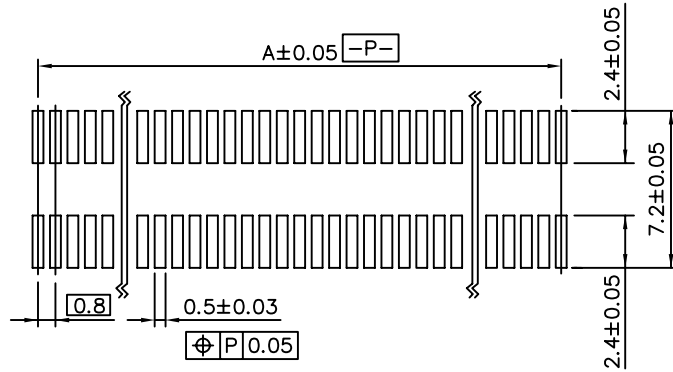
Printed: May 18, 2005

Tous droits strictement reserves. Reproduction ou communication a des tiers interdite sous quelque forme que ce soit sans autorisation ecrite du proprietaire. Propriete de c FCI. Droits de reproduction FCI.

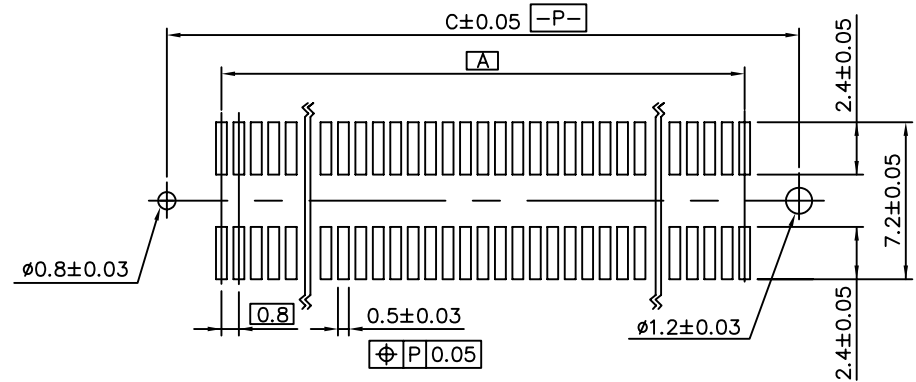


All rights strictly reserved. Reproduction or issue to third parties in any form whatever is not permitted without written authority from the proprietor. Property of FCI. Copyright FCI.

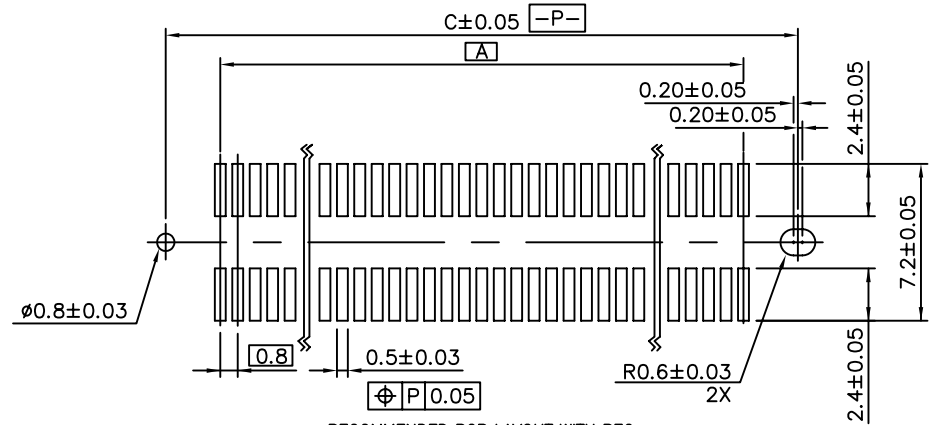
FOR RECEPTACLE 2/3



RECOMMENDED PCB LAYOUT WITHOUT PEG AND HOLDDOWN



RECOMMENDED PCB LAYOUT WITH PEG
FOR NO. OF POSITION 2X20, 2X30, 2X40, 2X50, 2X60



RECOMMENDED PCB LAYOUT WITH PEG
FOR NO. OF POS. 2X70, 2X80, 2X90, 2X100

mat'l. code				tolerances unless otherwise specified		CUSTOMER COPY	 www.fciconnect.com	
ltr	ecn no	dr	date	linear	.X ± 0.20		projection	title
P					.XX ± 0.15	 MM		0.8mm BOARD TO BOARD RECEPTACLE ASS'Y
				angles	.XXX ± 0.10			product family
				dr	0° ±2°		size	BERGSTAK
				enr			dwg no	61082
				chr	MAGGIE WU 03/26/99	scale	A4	sheet
				appd	YU WEN CHU 03/26/99	3:1		6 of
					JOSEPH HSIA 03/26/99			
sheet index	revision sheet							