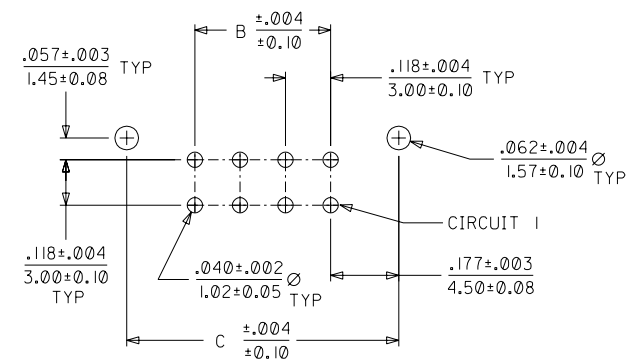
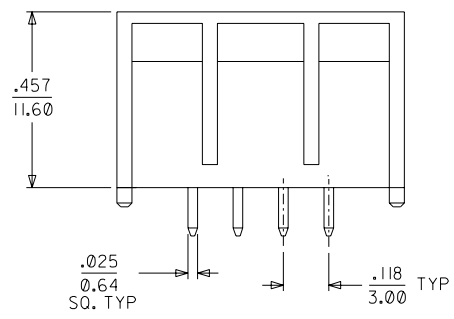
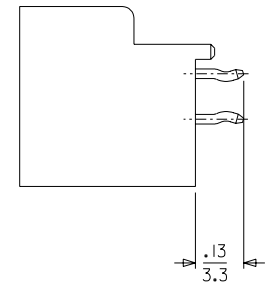
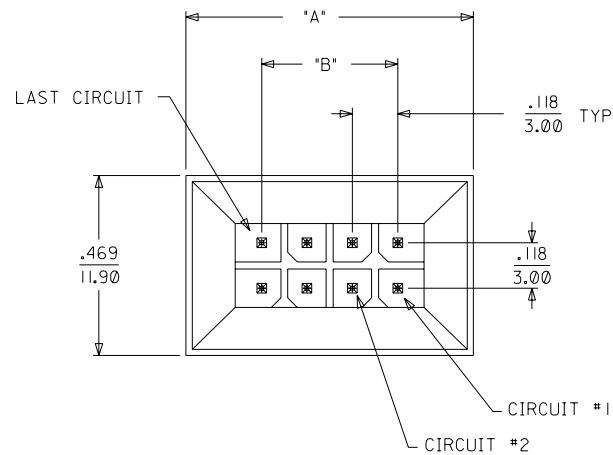


CIRCUIT SIZE	"A"	"B"	C
04	$\frac{.512}{13.00}$	$\frac{.118}{3.00}$	$\frac{.472}{12.00}$
06	$\frac{.630}{16.00}$	$\frac{.236}{6.00}$	$\frac{.590}{15.00}$
08	$\frac{.748}{19.00}$	$\frac{.354}{9.00}$	$\frac{.709}{18.00}$
10	$\frac{.866}{22.00}$	$\frac{.472}{12.00}$	$\frac{.827}{21.00}$
12	$\frac{.984}{25.00}$	$\frac{.590}{15.00}$	$\frac{.945}{24.00}$
14	$\frac{28.00}{1.102}$	$\frac{18.00}{.709}$	$\frac{27.00}{1.063}$
16	$\frac{1.220}{31.00}$	$\frac{.827}{21.00}$	$\frac{1.181}{30.00}$
18	$\frac{1.338}{34.00}$	$\frac{.945}{24.00}$	$\frac{1.299}{33.00}$
20	$\frac{1.457}{37.00}$	$\frac{1.063}{27.00}$	$\frac{1.417}{36.00}$
22	$\frac{1.575}{40.00}$	$\frac{1.181}{30.00}$	$\frac{1.535}{39.00}$
24	$\frac{1.693}{43.00}$	$\frac{1.299}{33.00}$	$\frac{1.653}{42.00}$



PCB LAYOUT: COMPONENT SIDE
RECOMMENDED PCB THICKNESS .062/1.57

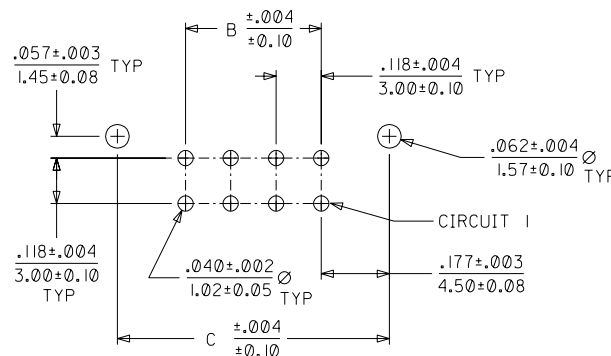
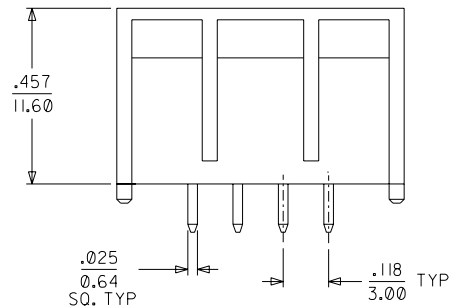
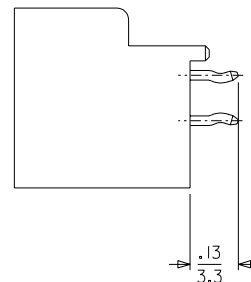
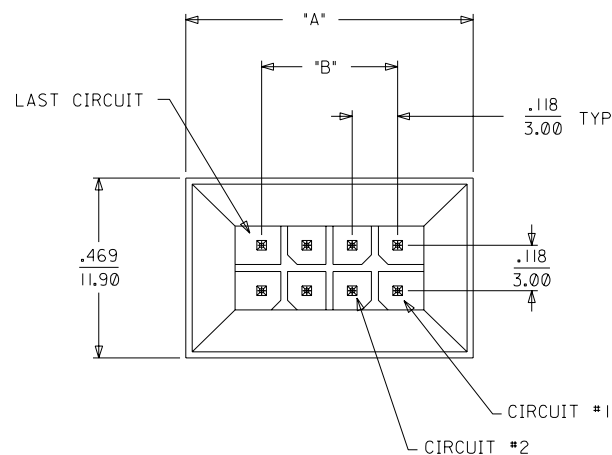
NOTES :

- MATERIALS -
HOUSING : NYLON , GLASS-FILLED, UL94V-0 COLOR - BLACK
TERMINAL : BRASS ALLOY
- FINISH:
A= .000200/(0.0051) TIN OVER .000050/(0.0013) NICKEL.
B= .000015/(0.00038) MIN GOLD IN SELECTIVE AREA;
.000050/(0.0013) MIN TIN-LEAD (90/10) ON SOLDER TAILS
BOTH OVER .000050/(0.0013) NICKEL.
C= .000030/(0.00076) MIN GOLD IN SELECTIVE AREA;
.000050/(0.0013) MIN TIN-LEAD (90/10) ON SOLDER TAILS
BOTH OVER .000050/(0.0013) NICKEL.
- PRODUCT SPECIFICATION : PS-44300
- PACKAGING SPECIFICATION : PK-44432-001
- THIS ASSEMBLY MATES WITH MOLEX BMI PANEL MOUNT RECEPTACLE
(SEE DRAWING SD-44133-001) & FEMALE CRIMP TERMINAL (SEE DRAWING SD-43030-****)

2	B
1	BI
SHT	REV
REVISE ON CAD ONLY	

REV TIN PLATE EC NO. UCR2002-1129 DRAWN: MUELLER 02/06/21 CHK: MUELLER 02/06/21 APPR: MARGULIS 02/06/21	QUALITY SYMBOLS	GENERAL TOLERANCES: (UNLESS SPECIFIED)	SCALE 4 : 1	DESIGN UNITS <input checked="" type="checkbox"/> mm <input type="checkbox"/> INCH	DIMENSIONS: <input type="checkbox"/> mm <input checked="" type="checkbox"/> INCH <input type="checkbox"/> mm ONLY	
	MAJOR $\nabla=0$	mm INCH	DRAWN BY & DATE MUELLER 99/11/29	THIRD ANGLE PROJECTION		
	CRITICAL $\nabla=0$	4 PLACES ±0. ±.	CHECKED BY & DATE MUELLER 99/11/29	TITLE: MICRO-FIT (3.0) DUAL ROW VERTICAL BMI HEADER - ASS'Y		
	REV	3 PLACES ±0. ±.010	APPROVED BY & DATE R EDGLEY 99/11/30	MATERIAL NO. SEE CHART DRAWING NO. SD-44432-001 SHEET NO. 1 OF 2		
DRAFT WHERE APPLICABLE MUST REMAIN WITHIN DIMENSIONS		ANGULAR: ±1 °	THIS DRAWING CONTAINS INFORMATION THAT IS PROPRIETARY TO MOLEX INCORPORATED AND SHOULD NOT BE USED WITHOUT WRITTEN PERMISSION.			

CIRCUIT SIZE	44432		
	"A"	"B"	C
04	.512 13.00	.118 3.00	.472 12.00
06	.630 16.00	.236 6.00	.590 15.00
08	.748 19.00	.354 9.00	.709 18.00
10	.866 22.00	.472 12.00	.827 21.00
12	.984 25.00	.590 15.00	.945 24.00
14	1.102 28.00	.709 18.00	1.063 27.00
16	1.220 31.00	.827 21.00	1.181 30.00
18	1.338 34.00	.945 24.00	1.299 33.00
20	1.457 37.00	1.063 27.00	1.417 36.00
22	1.575 40.00	1.181 30.00	1.535 39.00
24	1.693 43.00	1.299 33.00	1.653 42.00



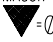
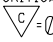
PCB LAYOUT: COMPONENT SIDE
RECOMMENDED PCB THICKNESS .062/1.57

NOTES :

- MATERIALS -
HOUSING : NYLON , GLASS-FILLED, UL94V-0 COLOR - BLACK
TERMINAL : BRASS ALLOY
- FINISH:
A= .000200/(0.0051) TIN OVER .000050/(0.0013) NICKEL.
B= .000015/(0.00038) MIN GOLD IN SELECTIVE AREA;
.000050/(0.0013) MIN TIN-LEAD (90/10) ON SOLDER TAILS
BOTH OVER .000050/(0.0013) NICKEL.
C= .000030/(0.00076) MIN GOLD IN SELECTIVE AREA;
.000050/(0.0013) MIN TIN-LEAD (90/10) ON SOLDER TAILS
BOTH OVER .000050/(0.0013) NICKEL.
- PRODUCT SPECIFICATION : PS-44300
- PACKAGING SPECIFICATION : PK-44432-001
- THIS ASSEMBLY MATES WITH MOLEX BMI PANEL MOUNT RECEPTACLE
(SEE DRAWING SD-44133-001) & FEMALE CRIMP TERMINAL (SEE DRAWING SD-43030-****)

REV TIN PLATE	REV	DESCRIPTION	QUALITY SYMBOLS	GENERAL TOLERANCES: (UNLESS SPECIFIED)		SCALE 4 : 1	DESIGN UNITS <input checked="" type="checkbox"/> mm <input type="checkbox"/> INCH	THIRD ANGLE PROJECTION	DIMENSIONS:		2	B
				mm	INCH				mm	INCH	mm ONLY	INCH ONLY
BI			MAJOR 0 CRITICAL 0	4 PLACES ±0. ±.	3 PLACES ±0. ±0.10	2 PLACES ±0.25 ±0.15	1 PLACE ±0.38 ±.	ANGULAR: ±1 °	DRAWN BY & DATE MUELLER 99/11/29		TITLE: MICRO-FIT (3.0) DUAL ROW VERTICAL BMI HEADER - ASS'Y	
									CHECKED BY & DATE MUELLER 99/11/29		MATERIAL NO. SEE CHART	
									APPROVED BY & DATE R EDGLEY 99/11/30		DRAWING NO. SD-44432-001	
									CAD FILENAME		SHEET NO. 1 OF 2	
									THIS DRAWING CONTAINS INFORMATION THAT IS PROPRIETARY TO MOLEX INCORPORATED AND SHOULD NOT BE USED WITHOUT WRITTEN PERMISSION.		SIZE C	

	13	12	11
J	MATERIAL NUMBER	NUMBER OF POSITIONS	PLATING OPTION
	44432-0401	04	A
	44432-0402	04	B
	44432-0403	04	C
I	44432-0601	06	A
	44432-0602	06	B
	44432-0603	06	C
	44432-0801	08	A
	44432-0802	08	B
	44432-0803	08	C
H	44432-1001	10	A
	44432-1002	10	B
	44432-1003	10	C
	44432-1201	12	A
	44432-1202	12	B
G	44432-1203	12	C
	44432-1401	14	A
	44432-1402	14	B
	44432-1403	14	C
F	44432-1601	16	A
	44432-1602	16	B
	44432-1603	16	C
	44432-1801	18	A
	44432-1802	18	B
	44432-1803	18	C
E	44432-2001	20	A
	44432-2002	20	B
	44432-2003	20	C
	44432-2201	22	A
D	44432-2202	22	B
	44432-2203	22	C
	44432-2401	24	A
	44432-2402	24	B
	44432-2403	24	C

SEE SHEET 1	EC NO. / / / / DRWN: / / / / CHK: / / / / APPR: / / / /	DESCRIPTION	QUALITY SYMBOLS	GENERAL TOLERANCES: (UNLESS SPECIFIED)	SCALE 4 : 1	DESIGN UNITS <input checked="" type="checkbox"/> mm <input type="checkbox"/> INCH	DIMENSIONS: <input type="checkbox"/> mm <input checked="" type="checkbox"/> INCH <input type="checkbox"/> mm ONLY		SHT	REV
			MAJOR 	4 PLACES ±0. ±.	DRAWN BY & DATE MUELLER 99/11/29	THIRD ANGLE PROJECTION <input type="checkbox"/> mm <input checked="" type="checkbox"/> INCH <input type="checkbox"/> mm ONLY		REVISE ON CAD ONLY		
			CRITICAL 	3 PLACES ±0. ±.010	CHECKED BY & DATE MUELLER 99/11/29					
				2 PLACES ±0.25 ±.015	APPROVED BY & DATE R EDGLEY 99/11/30	TITLE: MICRO-FIT (3.0) DUAL ROW VERTICAL BMI HEADER - ASS'Y				
	1 PLACE ±0.36 ±.		MOLEX INCORPORATED							
			ANGULAR: ±1 °		CAD FILENAME	MATERIAL NO.	DRAWING NO.	SHEET NO.		
			DRAFT WHERE APPLICABLE MUST REMAIN WITHIN DIMENSIONS		SEE CHART		SD-44432-001	2		
			THIS DRAWING CONTAINS INFORMATION THAT IS PROPRIETARY TO MOLEX INCORPORATED AND SHOULD NOT BE USED WITHOUT WRITTEN PERMISSION.						SIZE C	