

TECHNICAL SPECIFICATION

ER14250/W

OmniCel



MODEL ER14250/W
Lithium Thionyl Chloride
(Li-SOCl₂) Battery
(International size reference: 1/2AA)

ELECTRICAL CHARACTERISTICS


(typical values for cells stored for one year or less)

■ Nominal capacity	1.20Ah
(at 1.0 mA, +25°C, 2.0V cut off. The capacity restored by the cell varies according to current drain, temperature and cut off voltage.)	
■ Rated voltage	3.6 V
■ Maximum recommended continuous current	40 mA
(to get 50% of the nominal capacity at +25°C with 2.0V cut off. Higher currents possible. Consult Omnicel.)	
■ Pulse capability: varies according to pulse characteristics (frequency, duration), temperature, cell history (storage conditions prior to usage) and the application's acceptable minimum voltage. Consult Omnicel.	
■ Maximum pulse current capability	200 mA
■ Rated 1 sec. pulse capability (to 3V)	20 mA
■ Storage (recommended) (possible without leakage)	30°C max -55° / +120°C
■ Operating temperature range	-55° / +85°C
(Operation at temperature different from ambient may lead to reduced capacity and lower voltage plateau readings.)	

WARNING:

Fire, explosion and severe burn hazard. Do not recharge, crush, disassemble, heat above 212°F (100°C), incinerate, or expose contents to water.

KEY FEATURES

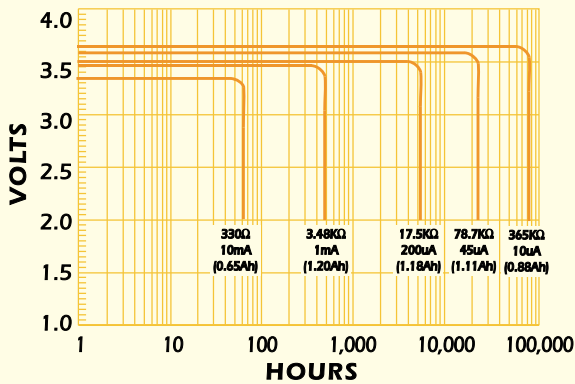
- ✓ High and stable operating voltage
- ✓ High minimum voltage during pulsing
- ✓ Low self discharge rate (less than 1% after 1 year of storage at +25°C)
- ✓ Stainless steel container
- ✓ Hermetic glass-to-metal sealing
- ✓ Non-flammable electrolyte
- ✓ Compliant with IEC 86-4 safety standard and EN 50020 intrinsic safety
- ✓ Non restricted for transport
- ✓  Underwriters Laboratories (UL) Component Recognition (File Number MH 28717)

MAIN APPLICATIONS

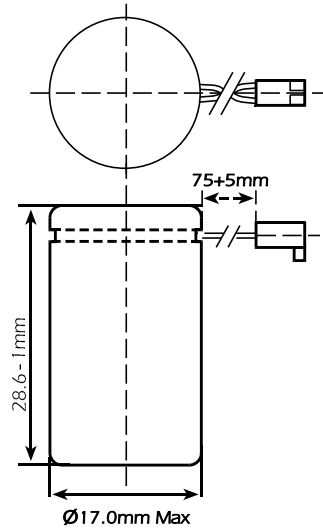
- ✓ Utility metering
- ✓ Alarms and security devices
- ✓ Memory back-up
- ✓ Tracking systems
- ✓ Automotive electronics
- ✓ Professional electronics
... etc.

Note: Any presentations in this data sheet concerning performance are for informational purpose only and are not construed as warranties, either expressed or implied, of future performance.

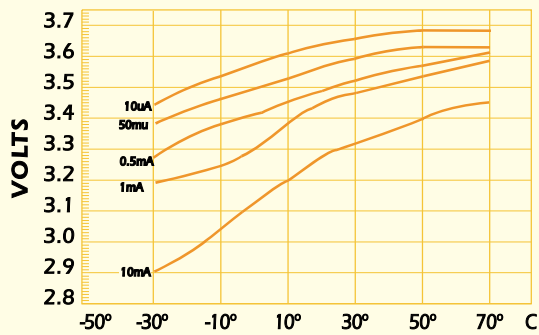
DISCHARGE CHARACTERISTICS @ +25°C



ER14250/W



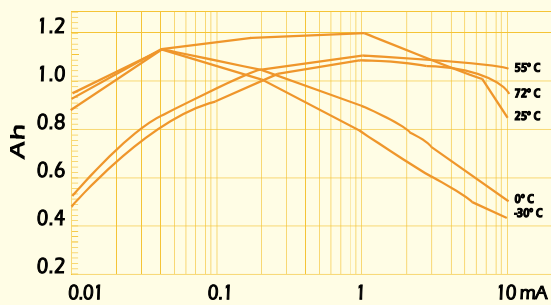
VOLTAGE VS. TEMPERATURE



PHYSICAL CHARACTERISTICS

■ Diameter (max)	17.0 mm (0.571")
■ Height (max)	28.6 mm (1.126")
■ Weight	13 g (0.458oz)
■ Wire Length	75mm (2.952")

CAPACITY VS. CURRENT



PULSE DISCHARGE CHARACTERISTICS

