



第 01 版

CUSTOMER Y02

Approval Sheet

DESIGNED NO.: SWITCHING POWER SUPPLIES

MODEL NO.: @EPA-121DA-12

ENG NO.: @3A-121DA12-079

13712ST

APPROVAL		

Remark: 1).Please approve and sign back to ENG ELEC.
 2).If there is no signing back,this Approval sheet will be regarded as being approved automaticly once the first P.O. of the model specified in the sheet is issued.

SUPPLIER		
DESIGN	CHECKED	APPROVED



英格爾

英格爾科技股份有限公司
 ENG ELECTRIC CO., LTD.
 台灣省桃園縣龜山鄉民生北路1段536號5樓
 5F,NO.536,Sec.1.Min Sheng N.Rd;Kweishan Hsiang,Taoyuan Hsien,Taiwan,R.O.C.
 TEL: 886-3-2121133, 886-3-212199
 FAX: 886-3-2121561

深圳英格爾電子有限公司
 SHENZHEN ENG ELECTRONICS CO., LTD.
 深圳市寶安區福永鎮白石廈中核集團B棟
 Block B, Nuclear Group Industrial District, Baishixia, Fuyong Town, Bao'an, Shen Zhen China
 TEL: 86-755-27307512,27307515,27308750,27308755,27307208,27308202
 FAX: 86-755-27308049

SHENZHEN ENG ELECTRONICS CO., LTD.



FILE NO.: EN-RDS-H299

FILE: @3A-121DA12-079

產品承認書 SHEET: 01

1 Product Characteristics:

1.1 General Description

Model @EPA-121DA-12 is a universal switching-mode power supply, operating at input voltage 90VAC to 255VAC and output voltage of 12VDC with 1A DC load

1.2 Electric Characteristics

1.2.1 Input

No	ITEM	SPECIFICATION
1.	Rated input Voltage	AC100V-240V
	Vibration Input Voltage Range	AC90V-255V
2.	Frequency Rated	50-60Hz
	Frequency Vibration	47-63Hz
3.	Input Rated Current	300mA RMS Max
	Inrush Current	30A Max .at 115vac cool start
		50A Max. at 230vac cool start
4.	Leakage current	0.25mA
5.	Efficiency	60% Min.

SHENZHEN ENG ELECTRONICS CO., LTD.

X

FILE NO.: EN-RDS-H299

FILE: @3A-121DA12-079

產品承認書 SHEET: 02

1.2.2 Output:

No	ITEM	V1
1.	output Voltage	12VDC
2.	output max. current	1A
3.	output min. Current	0A
4.	Line regulation	± 1%
5.	Load regulation	± 5%
6.	Over voltage protection	15V to 18V DC (output shut down)
7.	Short circuit protection	Output shut down and auto restart
8.	Ripple Voltage (L.F.)	150mV (p-p) (100V-240VAC Input)

1.2.3 HI-POT SPECIFICATION

Input to output : 3000VAC or 4242VDC 10mA 1 minute.

1.2.4 Insulation resistance:

Input to output: 500vdc to test the input to output resistance not be less 100M ohm








1.2.5 Safety approved: UL, CUL,S/GS, CE ,

1.2.6 EMI standard : meet FCC class B , CE ,VCCI - II

1.2.7 PB-free standard : {ENG-HSM-001}

Att.1

$27.5+0/-0.2$

STONTRONICS L I M I T E D SWITCH-MODE POWER SUPPLY	$47.5+0/-0.2$
MODEL No:EPA-121DA-12 P/N:T3712ST INPUT: 100V - 240V ~, 50Hz-60Hz, 0.3A OUTPUT:DC 12V \Rightarrow 1A FOR I.T.E. USE ONLY	
      	
YYWW S MADE IN CHINA	

UNIT: mm

YYWW S YY:YEAR WW:WEEK S:FU YONG

ALUMINUM NAMEPLATE: ○ BLACK WORD ON SILVER BASE

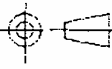
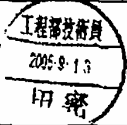

○ SILVER WORD ON BLACK BASE

METALIZED POLYESTER: ● BLACK WORD ON SILVER BASE

(SILVER MATTE) ○ SILVER WORD ON BLACK BASE

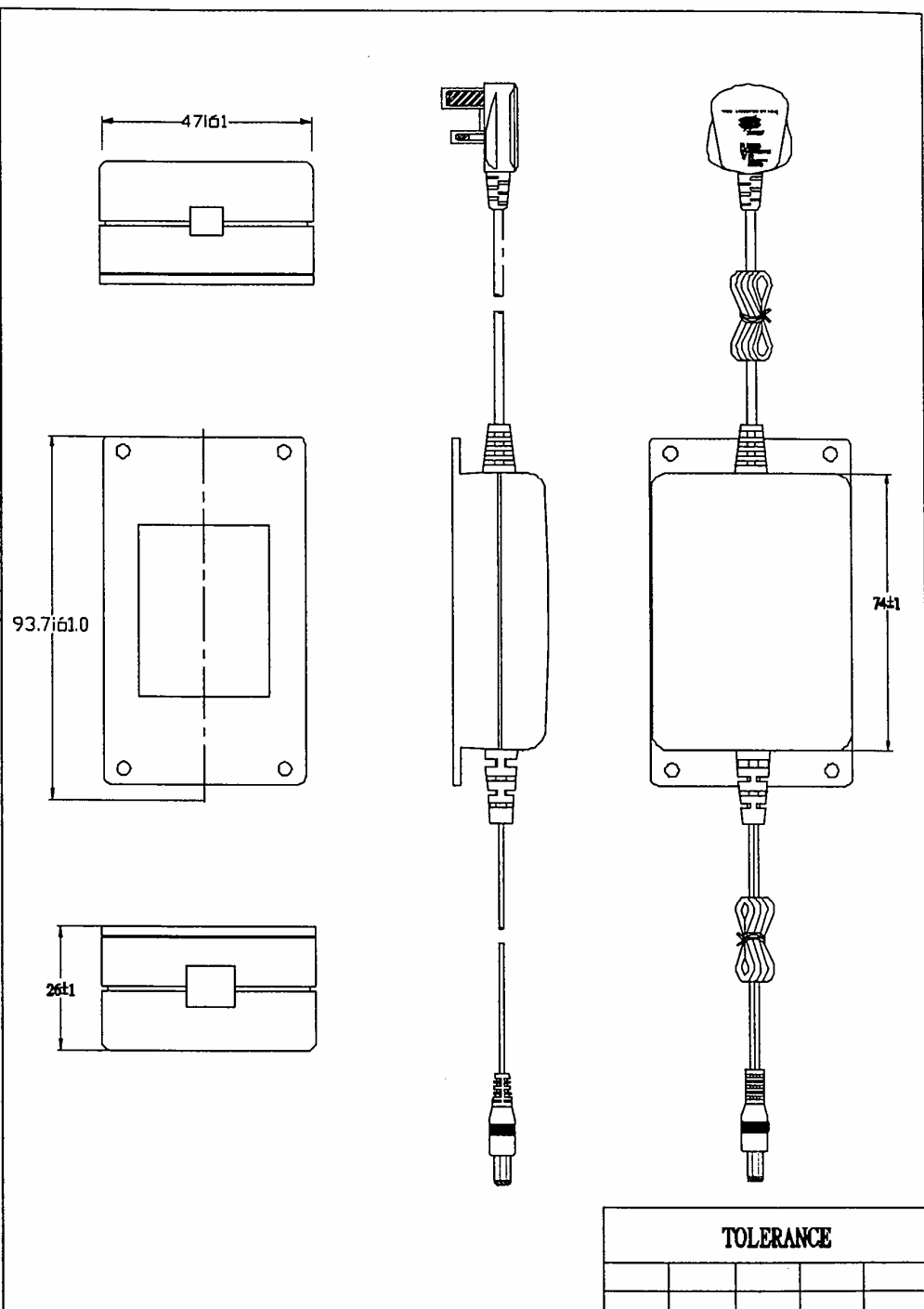
*@3A-121DA12-079

TOLERANCE				

DESIGNED	CHECKED	APPROVED		TITLE	DATE
<i>Hump</i>	 工程師技術員 2005-9-13 田密	 工程部長 2005-9-14 劉雄	UNITS mm	DRAWING NO	05/09/13
				SCALE 2:1	DRAWING NAME
ENG ELECTRICS CO., LTD.				1201	REVISION 01

Att.2

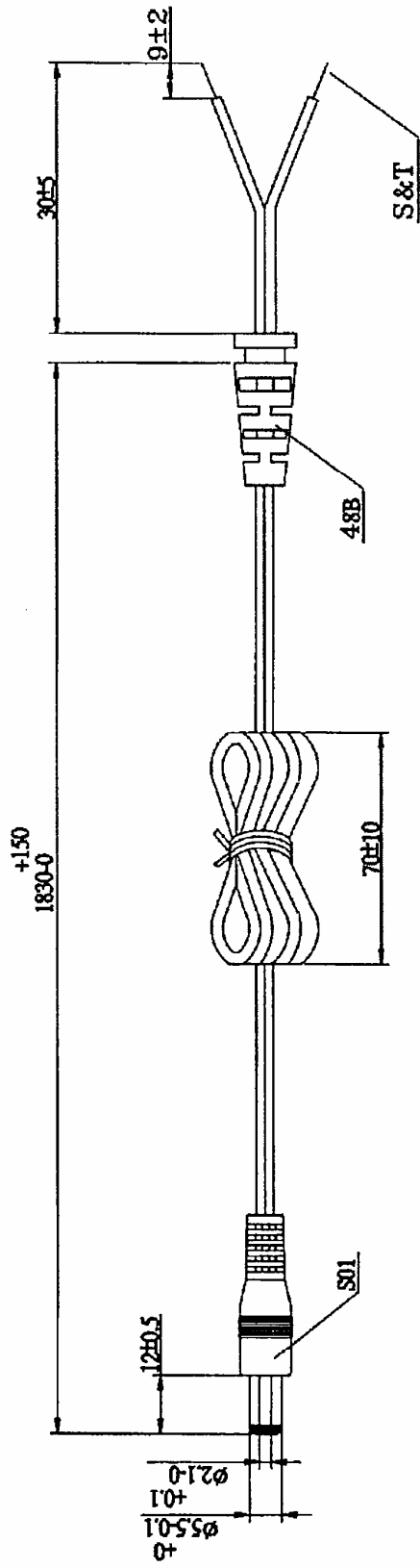
X



TOLERANCE				

DESIGNED	CHECKED	APPROVED		TITLE	DATE				
Lipp				<table border="1"> <tr> <td>UNITS</td> <td>mm</td> </tr> <tr> <td>SCALE</td> <td></td> </tr> </table>	UNITS	mm	SCALE		OUTDRAWING
UNITS	mm								
SCALE									
ENG ELECTRIC CO; LTD				DRAWING No.	05/09/14				
				03A-121DA12-079					
				DRAWING NAME	REVISION				
				120311-01	01				

tt.4



#20AWG X2C UL2468

OD: $\phi 1.9 \times 3.8$

HAVE ON WORD WIRE IN OUTER, NO WORD WIRE IN INNER



TOLERANCE	

DESIGNED	CHECKED	APPROVED	TITLE	DATE
<i>Handwritten</i>	工程師 劉進 2005-9-14	工程師 劉進 2005-9-14	DC CORD	05/09/12
UNITS			DRAWING No.	REVISION
SCALE			@3A-121DA12-079	01
DRAWING NAME			31-48BS01-03B-00	
ENG ELECTRIC CO; LTD				

搖擺測試 VIBRATION TEST	<p>a. 吊重 200g b. WEIGHT 200g c. 40回分 40 ROUND/MINUTE d. 1000次最少 OVER 1000 COUNT MIN</p>
---------------------------	---