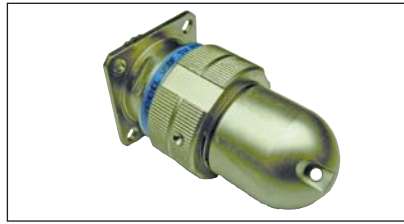
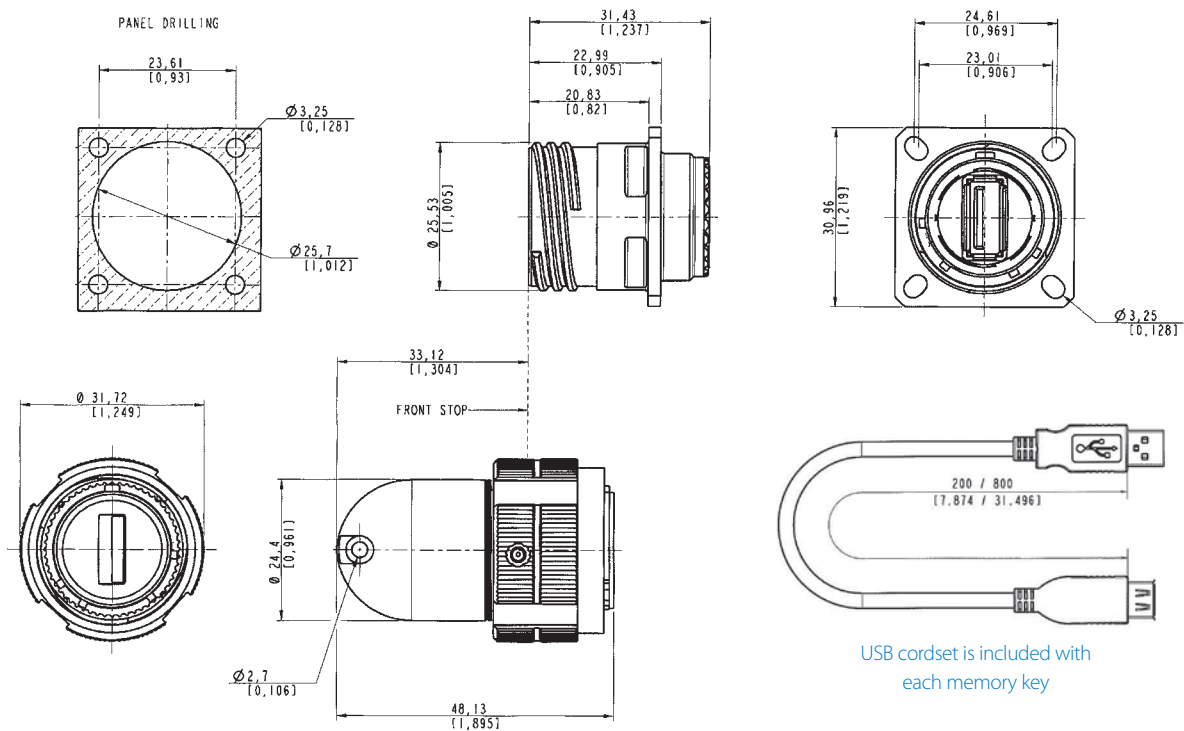


REINFORCED USBFTV MEMORY KEYS



We provide reinforced USB memory keys available in different capacities. They can be used ONLY with our USBFTV series receptacles. When mated on the receptacle, the system is IP67.

Dimensions of rugged USBFTV Key shown with receptacle USBFTV21x



USB cordset is included with each memory key

ROHS COMPLIANT

"N": nickel plating
"B": black coating

DEFINITION OF PART NUMBER

USBFTV KEY 6 A 0256 N CAP

Beginning of every USBFTV Key part number. Remains unchanged.

Coding position:
A: coding A
B: coding B
NB: please check the coding of your USBFTV receptacle*

Capacity of your USBFTV Key:
0256
0512
1024
Other capacity, please consult us at contact@rjfield.com

Plating:
"N": nickel plating
"G": olive drab cadmium
NB: please check the plating of your USBFTV receptacle

Cap: With cap
Blank: Without cap

* The coding can be changed on the receptacle using our tool USBFODE

EXAMPLE: **USBFTVKEY6A0256N**: USBFTV KEY – CODING A – CAPACITY OF 256MO – NICKEL PLATING

EXAMPLE: **USBFTVKEY6A1024GCAP**: USBFTV KEY – CODING A – CAPACITY OF 1024MO – OLIVE DRAB CADMIUM PLATING - PROTECTIVE CAP