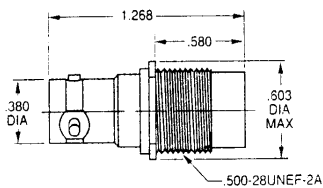
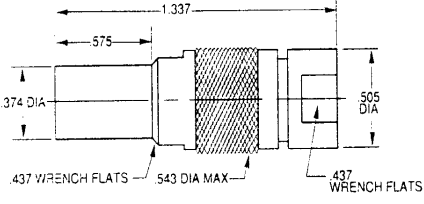
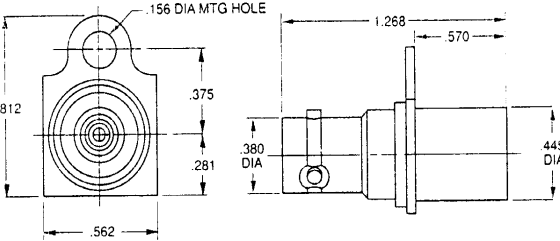
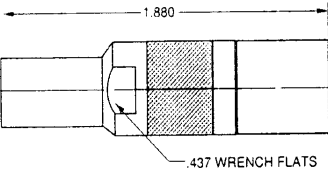
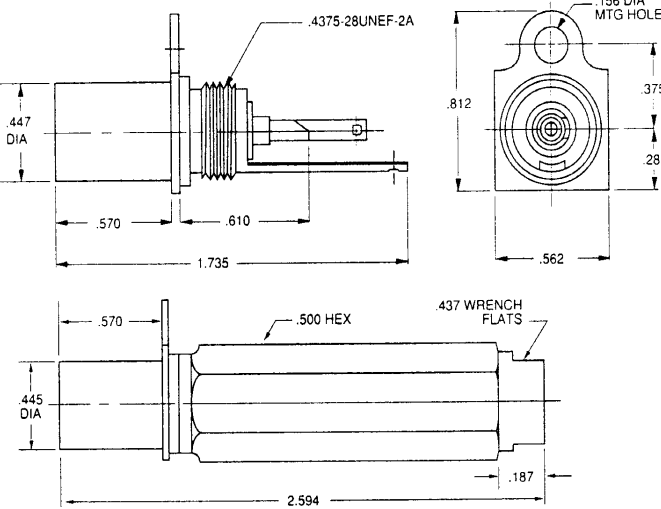

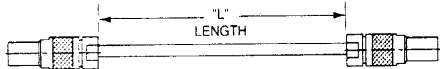
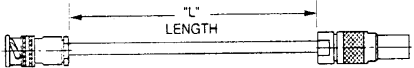
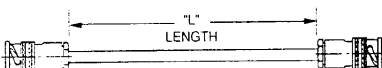
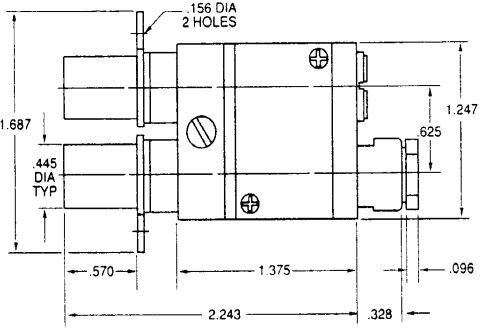
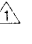
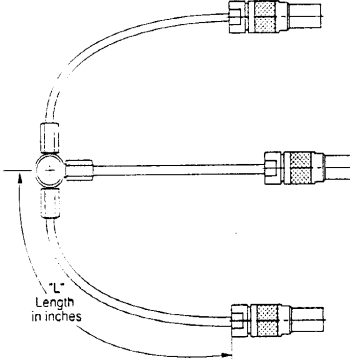



STANDARD TWINAX/TRIAX PATCHING & CABLE ASSEMBLIES

 <p>PATCH JACK J70</p>	 <p><i>PL71-7 Shown</i></p> <p>PATCH PLUG PL71-7</p>
 <p>PATCH JACK TRB 3-LUG J72</p>	 <p>TERMINATION RFI CAP TPT-1-R RFI 70-1</p> <p>For patch jack, No chain For other chain options see page 36.</p>
 <p>PATCH JACK SHIELDED J72D Without hood J72S  With hood</p>	 <p>PATCH CORD PTW-L-Z PATCH PLUG TO PATCH PLUG Twinax Triax PTR-L-Z</p>
 <p>CABLE ASSEMBLY PTWX-L-Z TRB 3-LUG PLUG TO PATCH PLUG Twinax Triax PTRX-L-Z</p>	 <p>CABLE ASSEMBLY PTWY-L-Z TRB 3-LUG PLUGS Twinax Triax PTRY-L-Z Bend relief available, call factory.</p>
 <p>PATCH JACK SINGLE ENTRY WITH 20 DB ISOLATED MONITORING JACK ENTRY J72SM - 1 TRB 3-LUG (SHOWN) J72SM - 2 TRT THREADED J72SM - 3 CABLE </p>	 <p>PARALLEL PATCH CORD PTWS-L-Z Twinax PTRS-L-R Triax</p>

 - Refers to Cable Group Table, see pages 68-88. Panels are on page 42-45.