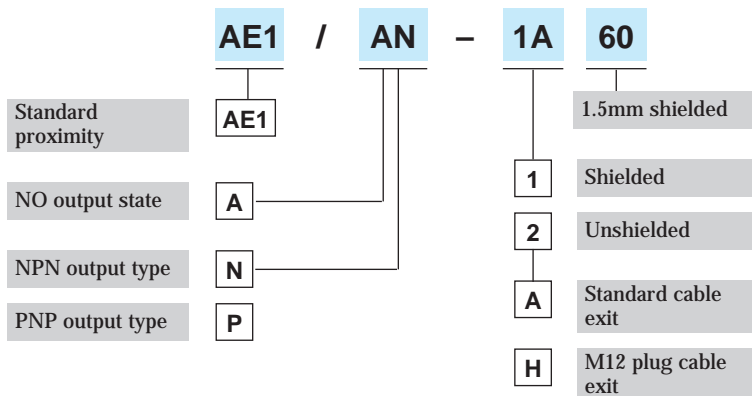


Compact inductive proximity switches for DC operation

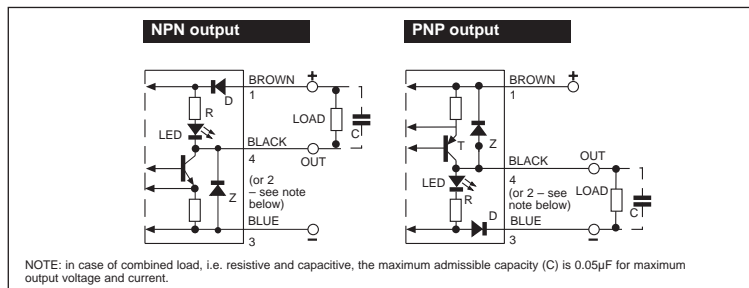
- $\varnothing 8 \times 45\text{mm}$
- Shielded and unshielded models
- IP67 nickel-plated brass housing
- Short-circuit protection
- Rear-mounted LED operation indicator
- Additional cable exit options available
- Nominal sensing range shielded 1mm
- Extended sensing range shielded 1.5mm
- Unshielded 2mm
- LED status indicator 360° visible



Options and ordering codes

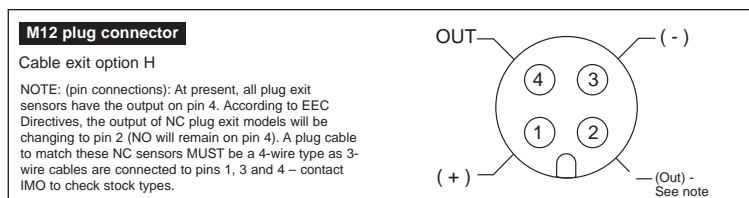


Output circuit-wiring connections



Normally closed output types
Other cable options:
 Right angle cable
 M8 Plug cable exit
 Customised cables
 Please contact IMO for price and availability

Plug-pin connections



Please see – Full specification page 321
 Connector leads page 332

Dimensions (mm)

