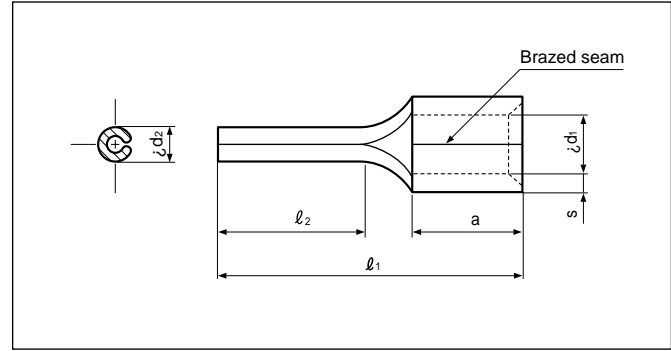


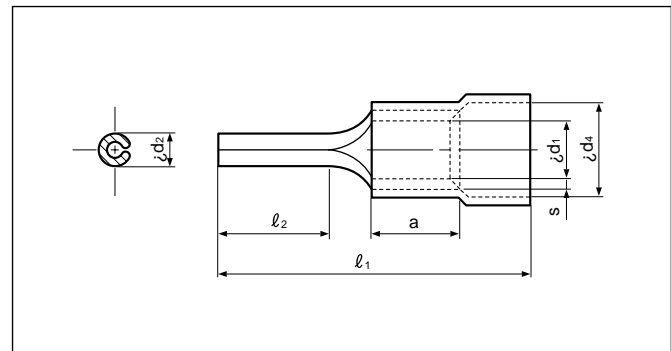
**PIN CONNECTOR** Non-insulated DIN 46230 / Insulated DIN 46231



**Non-insulated**

Applicable Wire mm <sup>2</sup> (AWG#)	Part No.	Nominal Size DIN46230	Dimensions mm (in.)						Tool No.	Qty/box
			$\varnothing d_2$	$l_1$	$l_2$	$a$	$\varnothing d_1$	$s$		
0.25 to 1.5 (22 to 16)	PC-1.25	1	1.9 (.075)	17.0 (.669)	10.0 (.394)	5.0 (.197)	1.6 (.063)	0.8 (.031)	JCH-10	2,000
	PC-1.25 F-10	15.0 (.591)		8.0 (.315)						
	PC-1.25 F-7	12.0 (.472)		5.0 (.197)						
>1 to 2.5 (16 to 14)	PC-2	2.5	1.9 (.075)	17.0 (.669)	10.0 (.394)	5.0 (.197)	2.3 (.091)	0.8 (.031)	JCH-10	2,000
	PC-2 F-17	22.0 (.866)		15.0 (.591)						
	PC-2 F-7	12.0 (.472)		5.0 (.197)						
>2.5 to 6 (12 to 10)	PC-5.5	6	2.7 (.106)	20.0 (.787)	10.0 (.394)	6.0 (.236)	3.6 (.142)	1.0 (.039)	JCH-10	1,000

Note:1) Contact J.S.T. Europe N.V., Belgium for the above tools.  
 2) Delivery lead times may vary depending on the product. Contact JST for details.



**Vinyl-insulated**

Applicable Wire mm <sup>2</sup> (AWG#)	Part No.	Nominal Size DIN46231	Dimensions mm (in.)							Color	Tool No.	Qty/box
			$\varnothing d_2$	$l_1$	$l_2$	$a$	$\varnothing d_1$	$\varnothing d_4$	$s$			
0.25 to 1.5 (22 to 16)	FVGSPC-1	1	1.9 (.075)	22.0 (.866)	10.0 (.394)	5.0 (.197)	1.6 (.063)	3.4 (.134)	0.6 (.024)	Red	JCH-1112	1,000
	FVGSPC-1 F10	20.0 (.787)		8.0 (.315)								
	FVGSPC-1 F-7	17.0 (.669)		5.0 (.197)								
>1 to 2.6 (16 to 14)	FVGSPC-2.5	2.5	1.9 (.075)	23.0 (.906)	10.0 (.394)	5.0 (.197)	2.3 (.091)	4.3 (.169)	0.6 (.024)	Blue	JCH-1112 JCH-1213	1,000
	FVGSPC-2.5 F-17	28.0(1.102)		15.0 (.591)								
	FVGSPC-6	6		2.7 (.106)	26.0(1.024)							

Note:1) Contact J.S.T. Europe N.V., Belgium for the above tools.  
 2) Delivery lead times may vary depending on the product. Contact JST for details.

**Nylon-insulated**

Applicable Wire mm <sup>2</sup> (AWG#)	Part No.	Nominal Size DIN46231	Dimensions mm (in.)							Color	Tool No.	Qty/box
			$\varnothing d_2$	$l_1$	$l_2$	$a$	$\varnothing d_1$	$\varnothing d_4$	$s$			
0.1 to 0.5 (26 to 22)	FNGSPC-0.5		1.2 (.047)	18.0 (.709)	8.0 (.315)	4.0 (.157)	1.0 (.039)	2.2 (.087)	0.6 (.024)	Yellow	JCH-9	2,000
0.25 to 1.5 (22 to 16)	FNGSPC-1	1	1.9 (.075)	22.0 (.866)	10.0 (.394)	5.0 (.197)	1.6 (.063)	3.4 (.134)	0.8 (.031)	Red	JCH-1112	1,000
	FNGSPC-1 F10	20.0 (.787)		8.0 (.315)								
>1 to 2.6 (16 to 14)	FNGSPC-2.5	2.5	1.9 (.075)	23.0 (.906)	10.0 (.394)	5.0 (.197)	2.3 (.091)	4.4 (.173)	0.9 (.035)	Blue	JCH-1112 JCH-1213	1,000
	FNGSPC-2.5 F-17	28.0(1.102)		15.0 (.591)								
	FNGSPC-2.5 F-7	18.0 (.709)		5.0 (.197)								
>2.6 to 6 (12 to 10)	FNGSPC-6	6	2.7 (.106)	26.0(1.024)	10.0 (.394)	6.0 (.236)	3.6 (.142)	6.4 (.252)	1.0 (.039)	Yellow	JCH-1213	1,000

Note:1) Contact J.S.T. Europe N.V., Belgium for the above tools.  
 2) Delivery lead times may vary depending on the product. Contact JST for details.