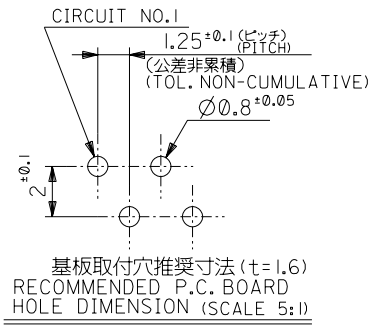
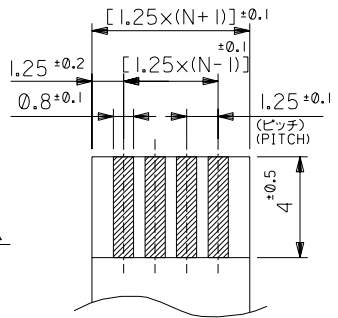
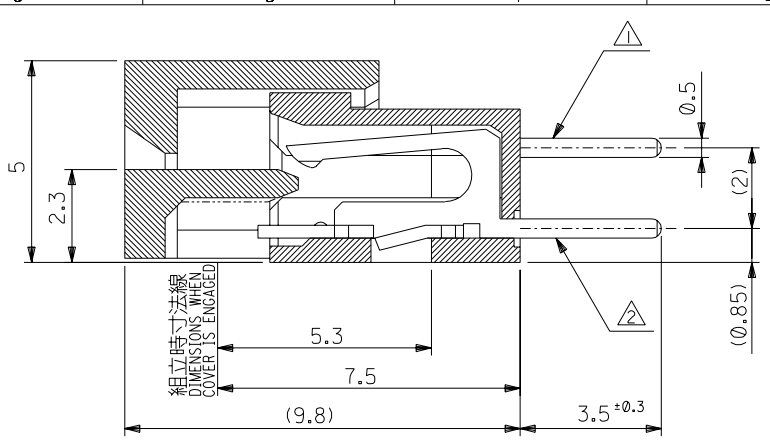
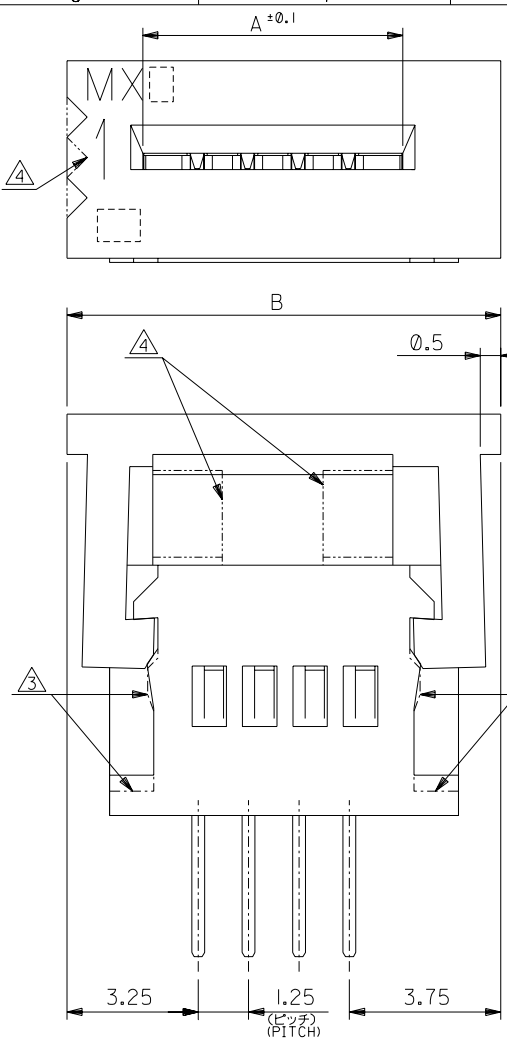


DO NOT SCALE DRAWING

DWG. NO. SD-5597-005



適合 FPC/FPC 推奨寸法
RECOMMENDED FPC/FFC
厚さ THK : 0.3 ±0.05 (SCALE 5:1)

注記 NOTES

- ① MX J側を基準に奇数番目の極におけるソルダータール。
SOLDER TAIL OF ODD CKTS, MXJ MARK AS BASIC.
- ② MX J側を基準に偶数番目の極におけるソルダータール。
SOLDER TAIL OF EVEN CKTS, MXJ MARK AS BASIC.
- ③ 3極~10極に適用。APPLY FOR 3-10 CKTS.
- ④ 3極~19極に適用。APPLY FOR 3-19 CKTS.
- 5. () 内寸法は、参考値。
() DIMENSION IS FOR REFERENCE.

6. ソルダータールは、先端が取付推奨穴にガイドされること。
ガイドされること。
SOLDER TAILS MAY BE CHECKED BY INSERTION
FOR RECOMMENDED PCB BOARD HOLES.

48.25	43.95	39-51-3344	5597-34CPB	34
47	42.7	-3334	-33CPB	33
45.75	41.45	-3324	-32CPB	32
44.5	40.2	-3314	-31CPB	31
43.25	38.95	-3304	-30CPB	30
42	37.7	-3294	-29CPB	29
40.75	36.45	-3284	-28CPB	28
39.5	35.2	-3274	-27CPB	27
38.25	33.95	-3264	-26CPB	26
37	32.7	-3254	-25CPB	25
35.75	31.45	-3244	-24CPB	24
34.5	30.2	-3234	-23CPB	23
33.25	28.95	-3224	-22CPB	22
32	27.7	-3214	-21CPB	21
30.75	26.45	-3204	-20CPB	20
29.5	25.2	-3194	-19CPB	19
28.25	23.95	-3184	-18CPB	18
27	22.7	-3174	-17CPB	17
25.75	21.45	-3164	-16CPB	16
24.5	20.2	-3154	-15CPB	15
23.25	18.95	-3144	-14CPB	14
22	17.7	-3134	-13CPB	13
20.75	16.45	-3124	-12CPB	12
19.5	15.2	-3114	-11CPB	11
18.25	13.95	-3104	-10CPB	10
17	12.7	-3094	-09CPB	9
15.75	11.45	-3084	-08CPB	8
14.5	10.2	-3074	-07CPB	7
13.25	8.95	-3064	-06CPB	6
12	7.7	-3054	-05CPB	5
10.75	6.45	-3044	-04CPB	4
9.5	5.2	39-51-3034	5597-03CPB	3
B	A	ENG. NO.	ENG. NO.	極数

①64 NO. DRWN: CHK: APPR:	①63 NO. DRWN: CHK: APPR:	①62 NO. DRWN: CHK: APPR:	①61 NO. DRWN: CHK: APPR:
-----------------------------------	-----------------------------------	-----------------------------------	-----------------------------------

再作図及び変更
REDRAWN & REVISED
①60 NO. J2003-2624
DRWN: K. TOJO '03/04/17
CHK: H. Sato '03/04/17
APPR: H. Sato '03/04/17

DESCRIPTION
MATERIAL HOUSING, ACTUATOR :
材料 PBTP, UL94V-0
TERMINAL : PHOSPHOR-BRONZE
THK : 0.3 ±
FINISH TIN-LEAD(9:1) 3 ~ 5 MICRON
仕上り METER OVER COPPER
1 ~ 2.5 MICRON METER PLATING.
WIRE RANGE
適用 線径範囲 //
INS. RANGE
被覆外径 //

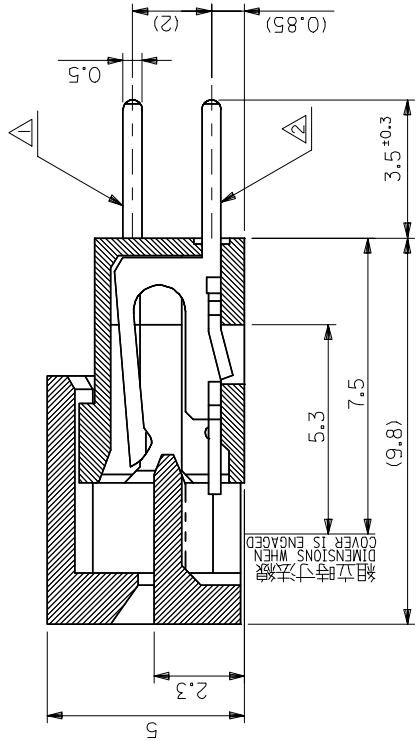
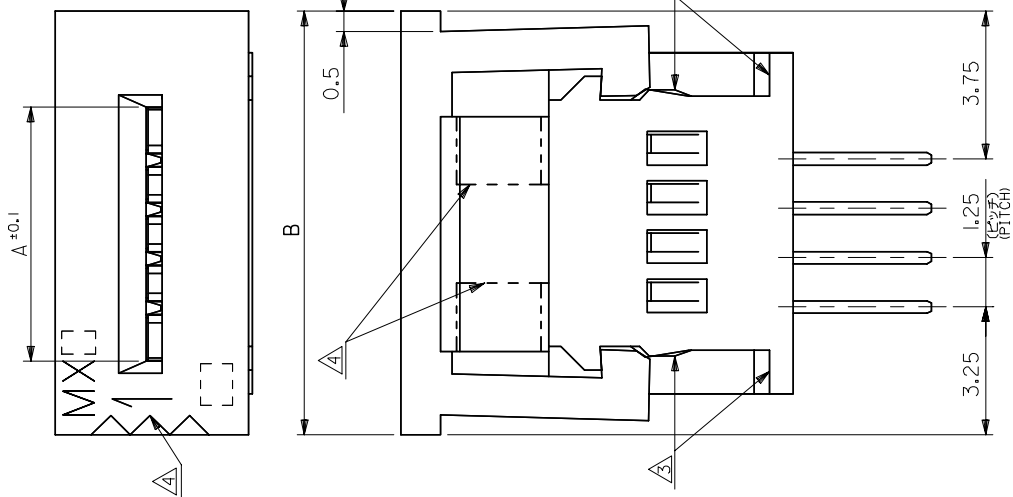
GENERAL TOLERANCES: (UNLESS SPECIFIED) 一般公差	SCALE	DESIGN UNITS
10 UNDER 未満 ±0.2	1:1	mm <input checked="" type="checkbox"/> INCH <input type="checkbox"/>
10 OVER 以上 30 UNDER 未満 ±0.25		
30 OVER 以上 ±0.3		
ANGLE 角度 ±3°		

DRAWN BY & DATE
K. TOJO '03/04/15
CHECKED BY & DATE
H. Sato '03/04/17
APPROVED BY & DATE
H. Sato '03/04/17
CAD FILENAME
SD-5597-005.S01

TITLE:
1.25 FPC Conn Assy ZIF
MOLEX MOLEX INCORPORATED
MATERIAL NO. 39-51-3**3
DRAWING NO. SD-5597-005
SHEET NO. 1 OF 1
DIMENSIONS:
mm INCH mm ONLY
SHT REV
22 WISE ON CAD ONLY

THIS DRAWING CONTAINS INFORMATION THAT IS PROPRIETARY TO MOLEX INCORPORATED AND SHOULD NOT BE USED WITHOUT WRITTEN PERMISSION. SIZE B

SD-5597-005.S01



粗1.2時 / 2.4時
DIMENSIONS WHEN
COVER IS ENGAGED

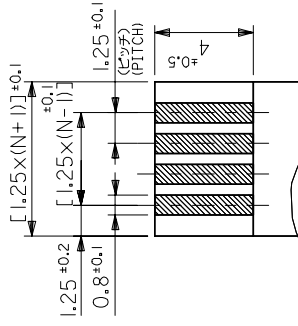
49.5	45.2	39-53-2355	5597-35CPB7F	35
48.25	43.95	↑ -2345	↑ -34CPB7F	34
47	42.7	-2335	-33CPB7F	33
45.75	41.45	-2325	-32CPB7F	32
44.5	40.2	-2315	-31CPB7F	31
43.25	38.95	-2305	-30CPB7F	30
42	37.7	-2295	-29CPB7F	29
40.75	36.45	-2285	-28CPB7F	28
39.5	35.2	-2275	-27CPB7F	27
38.25	33.95	-2265	-26CPB7F	26
37	32.7	-2255	-25CPB7F	25
35.75	31.45	-2245	-24CPB7F	24
34.5	30.2	-2235	-23CPB7F	23
33.25	28.95	-2225	-22CPB7F	22
32	27.7	-2215	-21CPB7F	21
30.75	26.45	-2205	-20CPB7F	20
29.5	25.2	-2195	-19CPB7F	19
28.25	23.95	-2185	-18CPB7F	18
27	22.7	-2175	-17CPB7F	17
25.75	21.45	-2165	-16CPB7F	16
24.5	20.2	-2155	-15CPB7F	15
23.25	18.95	-2145	-14CPB7F	14
22	17.7	-2135	-13CPB7F	13
20.75	16.45	-2125	-12CPB7F	12
19.5	15.2	-2115	-11CPB7F	11
18.25	13.95	-2105	-10CPB7F	10
17	12.7	-2095	-09CPB7F	9
15.75	11.45	-2085	-08CPB7F	8
14.5	10.2	-2075	-07CPB7F	7
13.25	8.95	-2065	-06CPB7F	6
12	7.7	-2055	-05CPB7F	5
10.75	6.45	↑ -2045	↑ -04CPB7F	4
9.5	5.2	39-53-2035	5597-03CPB7F	3

MODEL NO. 5597-NCPB7F		SCALE ---		DESIGN UNITS METRIC		THIRD ANGLE PROJECTION	
GENERAL TOLERANCES (UNLESS SPECIFIED)		TITLE		1.25 FPC CONN ASSY ZIF			
10 UNDER	±0.2	DRAWN BY	DATE	-LEAD FREE-			
10 OVER	30 UNDER	YWADA	04/02/19				
30 OVER	±0.25	CHECKED BY	MSASAO				
ANGULAR	±0.3	APPROVED BY	DATE	MOLEX INCORPORATED			
DRAFT WHERE APPLICABLE MUST REMAIN WITHIN DIMENSIONS		MSASAO	04/02/19				
REVISED		SEE CHART		DOCUMENT NO. SD-5597-007			
EC NO: J2005-1741		APR: NUKITA		SHEET NO. 1 OF 2			
DRW: NESUZUKI		2004/12/14		THIS DRAWING CONTAINS INFORMATION THAT IS PROPRIETARY TO MOLEX INCORPORATED AND SHOULD NOT BE USED WITHOUT WRITTEN PERMISSION			
CHKD: KTOJO		2004/12/14		EN-02JA(021)			
APP: NUKITA		2004/12/14					

10	F		9	8	7	6	5	4	3	2	1
F		E			D			C		B	A



基板取付穴推奨寸法 (t=1.6)
RECOMMENDED P.C. BOARD
HOLE DIMENSION (SCALE 5:1)



適合FPC/FCC推奨寸法
RECOMMENDED FPC/FCC
厚さ THK : 0.3±0.05(SCALE 5:1)

FPCについて：
打抜き方向は導体側から補強板側を推奨いたします。
補強フィルム材質はポリミドを推奨致します。
接着剤は熱硬化接着剤を推奨致します。

ABOUT FPC:
RECOMMENDED PUNCHER DIRECTION :
FROM CONDUCTOR SIDE TO STIFFENER BOARD SIDE.
RECOMMENDED MATERIAL:
STIFFENER FILM : POLYIMIDE
BONDING AGENT : THERMOSETTING BONDING AGENT

注記 NOTES

- △ MX J側を基準に奇数番目の極におけるソルダテール。
SOLDER TAIL OF ODD CKTS, MXJ MARK AS BASIC.
- △ MX J側を基準に偶数番目の極におけるソルダテール。
SOLDER TAIL OF EVEN CKTS, MXJ MARK AS BASIC.
- △ 3極~10極に適用。APPLY FOR 3-10 CKTS.
- △ 3極~19極に適用。APPLY FOR 3-19 CKTS.
- 5. () 内寸法は、参考値。
() DIMENSION IS FOR REFERENCE.
- 6. ソルダテールは、先端が取付推奨穴にガイドされること。
ソルダテールは、先端が取付推奨穴にガイドされること。
SOLDER TAILS MAY BE CHECKED BY INSERTION
FOR RECOMMENDED PCB BOARD HOLES.

7. 使用材料
MATERIAL

ハウジング、アクチュエーター：PBTP, UL94V-0
HOUSING, ACTUATOR: PBTP, UL94V-0
ターミナル：リン青銅 (t=0.3)
PHOSPHOR BRONZE (t=0.3)
銅ヒスススミック 1.0µm MIN.
TIN-BISMUTH 1.0 MICROMETER MIN.
ニッケル下地 1.0µm MIN.
NICKEL 1.0 MICROMETER MIN.

8. 本製品は597-NCPBの鉛フリー品である。
THIS PRODUCT IS LEAD FREE OF 597-NCPB.

REVISION REVISED FC NO: J2005-1741 DRWNER: SZUKI CHKD: TJO APP: NUKITA 2004/12/14 2004/12/14 2004/12/14	DESCRIPTION 10 UNDER ±0.2 10 OVER 30 UNDER ±0.25 30 OVER ±0.3 ANGULAR ±3° DRAFT WHERE APPLICABLE MUST REMAIN WITHIN DIMENSIONS	DIMENSION STYLE MM ONLY DRAWN BY: YWADA CHECKED BY: MSASAO APPROVED BY: MSASAO DATE: 04/02/19 DATE: 04/02/19 DATE: 04/02/19	SCALE: --- DESIGN UNITS: METRIC TITLE: 1.25 FPC CONN ASSY ZIF MOLEX INCORPORATED DOCUMENT NO: SD-5597-007 SHEET NO: 2 OF 2	THIRD ANGLE PROJECTION -LEAD FREE- MOLEX INCORPORATED THIS DRAWING CONTAINS INFORMATION THAT IS PROPRIETARY TO MOLEX INCORPORATED AND SHOULD NOT BE USED WITHOUT WRITTEN PERMISSION
---	---	--	---	---