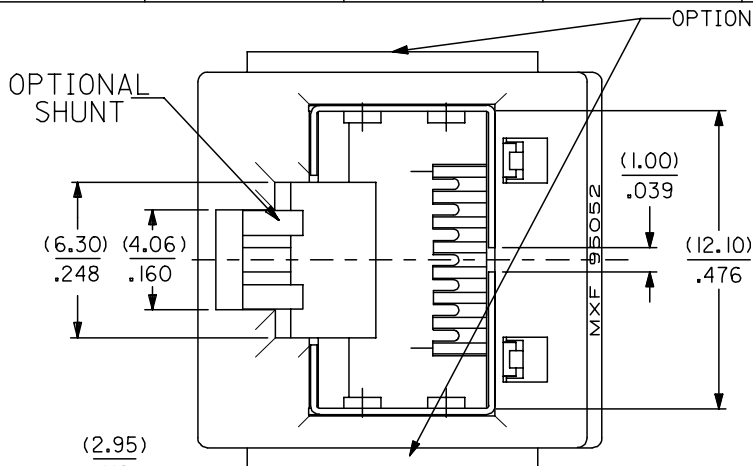
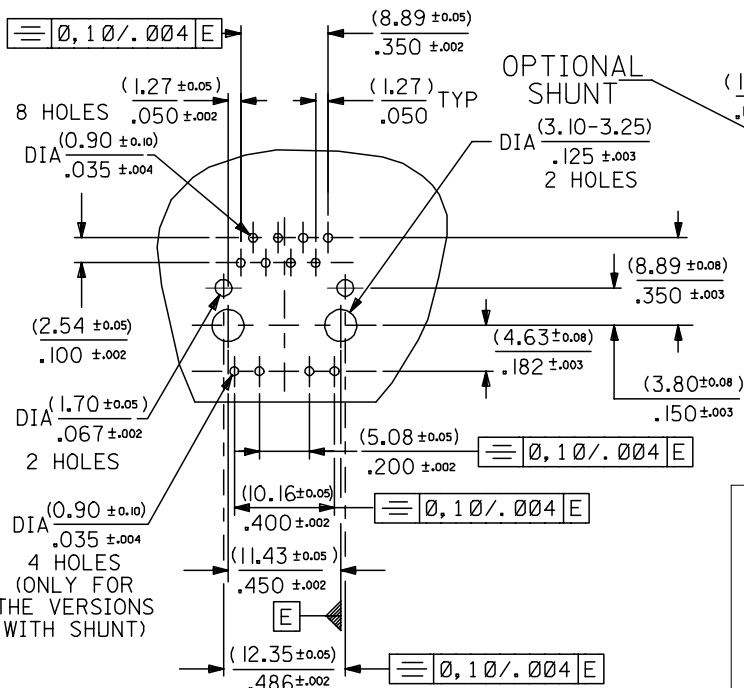
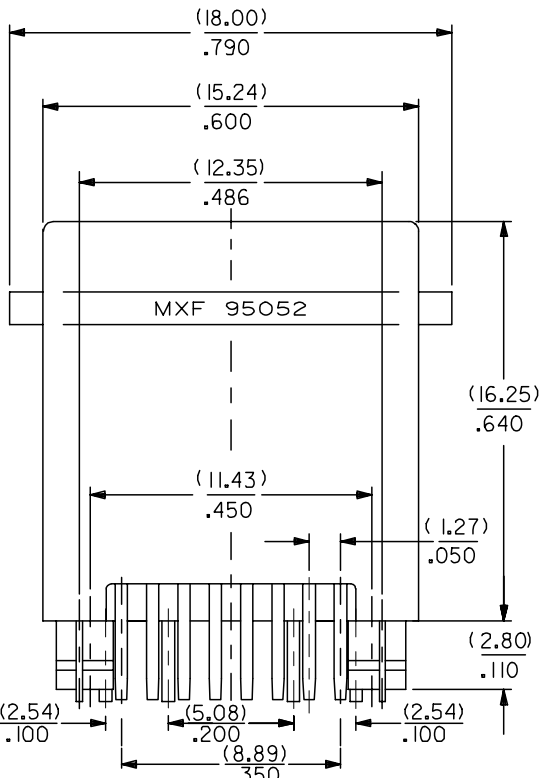
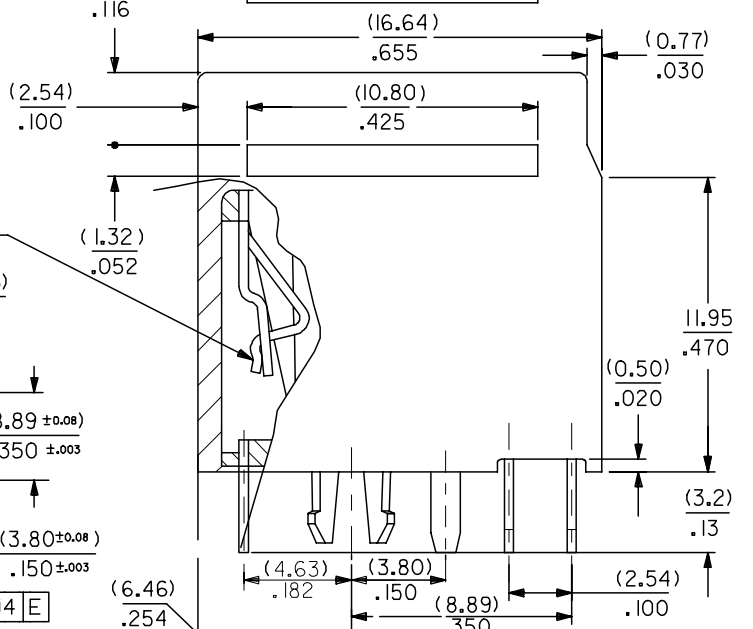


**NOTES :**

- 1- MATERIAL : HOUSING : POLYESTER G.F. 94V0  
COLOR : BLACK
- TERMINAL : PHOSPHOR BRONZE,  
PLATED WITH (0.00127)/.000050 MIN. GOLD  
IN CONTACT AREA , (0.00190)/.000075 MIN  
PURE TIN IN TAIL AREA BOTH OVER  
(0.00127)/.000050 MIN NICKEL OVERALL
- SHIELD : BRASS PLATED WITH (0.0020)/.000078  
MIN TIN
- SHUNT : PHOSPHOR BRONZE PLATED WITH  
(0.0020)/.000078 MIN PURE TIN
- 2- JACK FOR MATING WITH F.C.C. 68 TYPE PLUG  
MOLEX 95043 SERIES
- 3- P.C.BOARD THICKNESS : (1.57)/.062 .
- 4- PRODUCT SPECIFICATION PS-95040
- 5- APPLICATION SPECIFICATION AS-95001
- 6- PACKAGING SPECIFICATION PK-95022



ENG. NO.	HSG SIZE	LOADED CKTS	WITH RIBS	WITH SHUNT	TOOLED
95052-2881	8	8	NO	NO	NO
95052-2885	8	8	NO	YES	NO
95052-2886	8	8	YES	YES	NO
95052-2887	8	8	YES	NO	YES



REV	DESCRIPTION	QUALITY SYMBOLS	GENERAL TOLERANCES (UNLESS SPECIFIED)		DIMENSION STYLE MM/IN	SCALE 5:1	DESIGN UNITS METRIC	THIRD ANGLE PROJECTION
			mm	INCH				
D	EC NO: MG2005-0180 DRAWN: MARTIN 2004/11/17 CHKD: FCARABET 2004/11/17 APPR: KNOLLER 2004/11/18	▽=0 ∇=0	4 PLACES ± --- ± ---	3 PLACES ± --- ± .010	2 PLACES ± 0.25 ± .014	1 PLACE ± 0.35 ± ---	ANGULAR ± 2 °	DRAFT WHERE APPLICABLE MUST REMAIN WITHIN DIMENSIONS
			DRAWN BY MA		DATE 1998/26/01	TITLE TOP ENTRY SHIELDED AND SHUNTED JACK W.E. TYPE		
			CHECKED BY CB		DATE 1998/26/01	MATERIAL NO. SDA-95052		
			APPROVED BY JB		DATE 1998/26/01	SHEET NO. 1 OF 1		
			MATERIAL NO. SDA-95052		DOCUMENT NO. SDA-95052	MOLLEX MOLEX INCORPORATED		
			THIS DRAWING CONTAINS INFORMATION THAT IS PROPRIETARY TO MOLEX INCORPORATED AND SHOULD NOT BE USED WITHOUT WRITTEN PERMISSION					