

Receptacle Contacts – Locking Lance (LL)

Technical Features

Contact Material:

CuSn0.15
Insert Spring: CuNiSi

Contact Finish:

Tin-silver plated, selective silver plated, selective gold plated

Wire Size Range:

0.14–0.22 mm²
0.25–0.35 mm²
0.50–0.75 mm²
1.00–1.50 mm²

Current Carrying Capacity:

up to 14 Ampere
(at 20 °C ambient temperature)

Temperature Range:

–40 °C ... +140 °C (tin-silver plated)
–40 °C ... +140 °C (silver plated)
–40 °C ... +150 °C (gold plated)

Contact Resistance:

New State ≤2 mΩ

Mating Cycles:

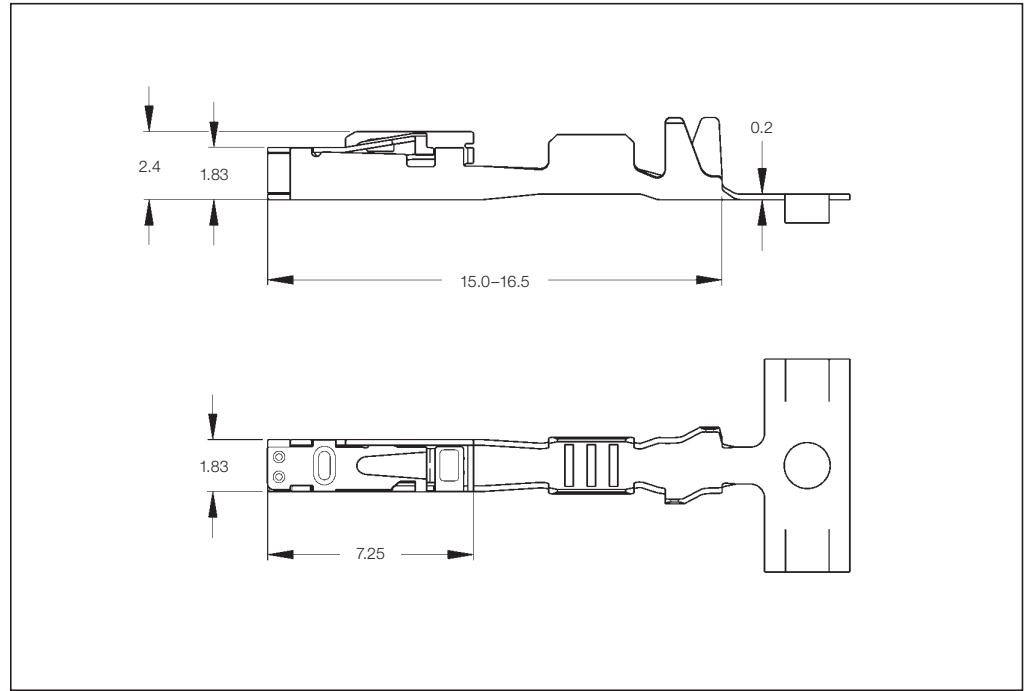
up to 20 cycles (tin-silver plated)
up to 50 cycles (silver plated)
up to 100 cycles (gold plated)

Dimension of

Male Contacts:
(1.2 ±0.1 x 0.6 ±0.03 mm)

Extraction Tool:

Part No. **5-1579007-3**



Mating Force:

Max. 5 N

Unmating Force:

Max. 2.5 N

Product Group Drawing:

1452674

Modular Dimensions (Centerline):

max. 0.75 mm ²	2.5 x 2.5 mm	sealed 4.0 x 4.0 mm
max. 1.0 mm ²	2.5 x 3.0 mm	sealed staggered 3.5 x 4.0 mm
		cavity 3.55 mm Dia.
		sealed 4.5 x 4.5 mm
		sealed staggered 4.0 x 4.5 mm
		cavity 3.95 mm Dia.

Product Specification:

108-18782

Application Specification:

114-18464

Standard Receptacle Contacts (SRC)

Wire Size Range (mm ²)	Insulation Diameter (mm)		Material and Finish*	Part Numbers					
	FLK	FLR		Strip Form	Package Quantity	Loose-Piece	Package Quantity	Applicator*	Hand Tool 539635-1 with Die Set
0.14–0.22	–	1.05–1.20	-1 / -2 / -3	1452650	10,000	1452651	500	x-1528155-x	4-1579001-4
0.25–0.35	–	1.10–1.75	-1 / -2 / -3	1452653	10,000	1452654	500	x-1528156-x	4-1579001-3
0.50–0.75	–	1.4–1.9	-1 / -2 / -3	1452656	8,000	1452657	500	x-1528157-x	4-1579001-2
1.0–1.5	–	1.9–2.4	-1 / -2 / -3	1452659	8,000	1452660	500	x-1528159-x	4-1579001-1

Note: All part numbers are RoHS and ELV compliant.

Receptacle Contacts Single Wire Sealing System (SWS)

Wire Size Range (mm ²)	Insulation Diameter (mm)		Material and Finish*	Part Numbers					
	FLK	FLR		Strip Form	Package Quantity	Loose-Piece	Package Quantity	Applicator*	Hand Tool 539635-1 with Die Set
0.14–0.22	–	1.05–1.20	-1 / -2 / -3	1452662	6,500	1452663	500	x-1528160-x	4-1579001-8
0.25–0.35	–	1.10–1.75	-1 / -2 / -3	1452665	6,500	1452666	500	x-1528161-x	4-1579001-7
0.50–0.75	–	1.4–1.9	-1 / -2 / -3	1452668	6,500	1452669	500	x-1528162-x	4-1579001-6
1.0–1.5	–	1.9–2.4	-1 / -2 / -3	1452671	6,500	1452672	500	x-1528163-x	4-1579001-5

Note: All part numbers are RoHS and ELV compliant.

***) Material and Finish:**

xxx-1 = CuNiSi, pre-tin/silver plated
xxx-2 = CuNiSi, selective gold plated
xxx-3 = CuNiSi, selective silver plated

*) The pre- and suffix for the applicators depends on the applied termination equipment.