

Features

- DC to 2.2 GHz
- Terminals for PCB placement
- Low VSWR
- Aluminum Nitride ceramic
- High power
- RoHS compliant*

Applications

- RF amplifiers
- Attenuators
- Antenna feeds
- Wilkinson dividers

CHF2010xNP Series 10 W Power RF Chip Termination/Resistor

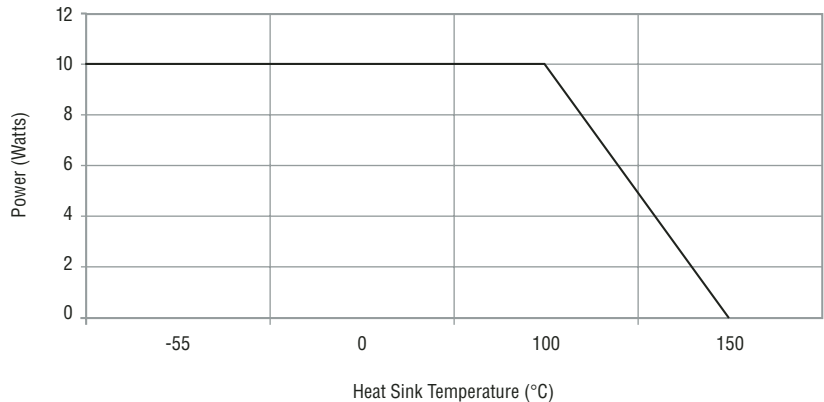
General Specifications

Substrate.....	ALN
Resistive Film	Thick-Film
Terminals	NiSn and NiAu
Capacitance.....	0.75 pF
Resistance	
CHF2010CNP500L	50 Ω
CHF2010CNP101R.....	100 Ω
CHF2010DNP101R.....	100 Ω
Tolerance	
CHF2010CNP500L	±5 %
CHF2010CNP101R.....	±5 %
CHF2010DNP101R.....	±2 %
Packaging	
Tape & Reel.....	2000 pcs./7 " reel
Bulk	100 pcs./bag

Absolute Ratings

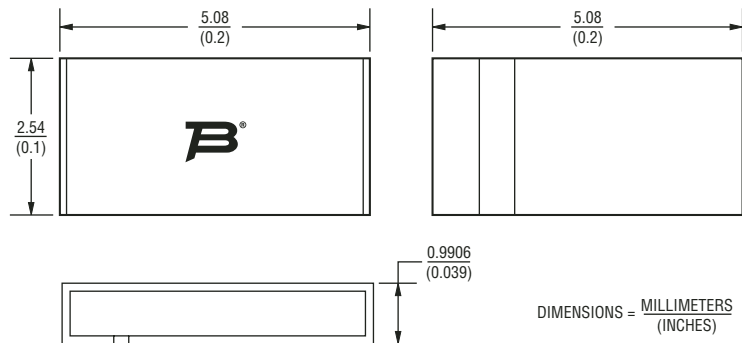
Power.....	10 W
Frequency	
CHF2010CNP500L.....	2 GHz
CHF2010CNP101R	2.2 GHz
CHF2010DNP101R	2.2 GHz
VSWR	1.2 Maximum

Characteristic Curve

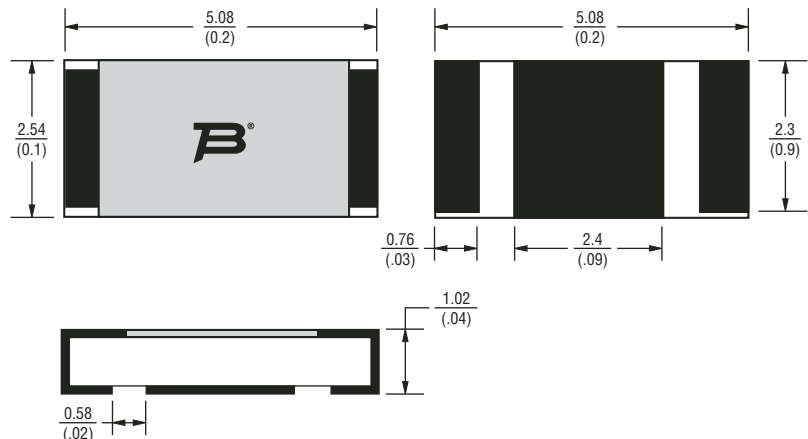


Product Dimensions

CHF2010CNP500L



CHF2010CNP101R & CHF2010DNP101R



Reliable Electronic Solutions

Asia-Pacific:
Tel: +886-2 2562-4117
Fax: +886-2 2562-4116

Europe:
Tel: +41-41 768 5555
Fax: +41-41 768 5510

The Americas:
Tel: +1-951 781-5500
Fax: +1-951 781-5700

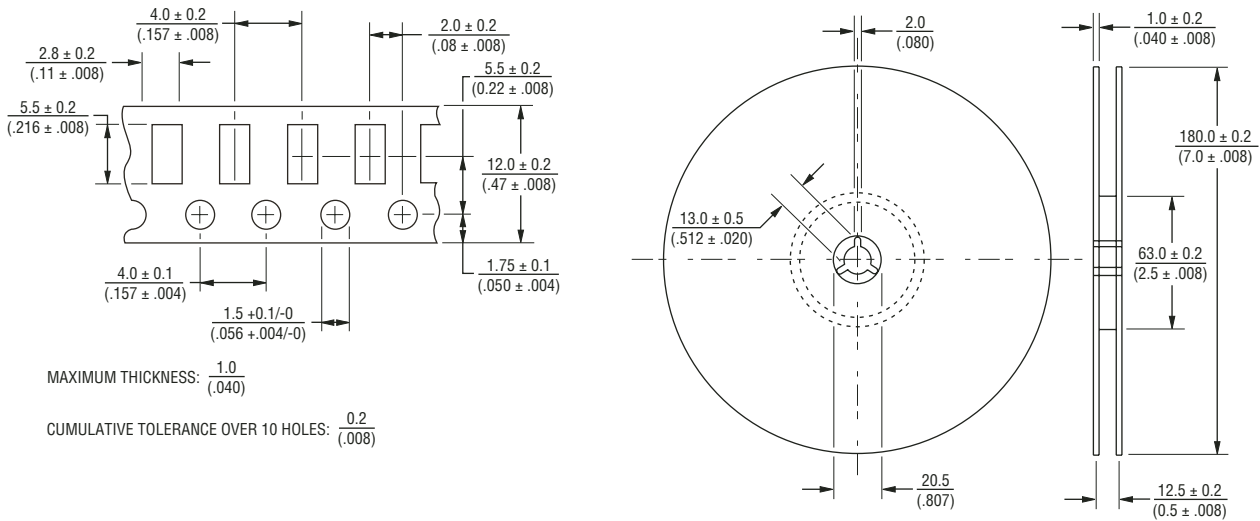
www.bourns.com

*RoHS Directive 2002/95/EC Jan 27 2003, including Annex
Specifications are subject to change without notice.
Customers should verify actual device performance in their specific applications.

CHF2010xNP Series 10 W Power RF Chip Termination/Resistor



Packaging Dimensions



MAXIMUM THICKNESS: $\frac{1.0}{(.040)}$
 CUMULATIVE TOLERANCE OVER 10 HOLES: $\frac{0.2}{(.008)}$

DIMENSIONS: $\frac{\text{MM}}{(\text{INCHES})}$

How To Order

CHF 2010 C N P 500 L X E

Model _____
 Package _____
 Version _____
 C = 5 % Tolerance
 D = 2 % Tolerance
 Substrate _____
 Mount _____
 P = Printed Circuit Board
 Resistance Code _____
 500 = 50 Ohm
 101 = 100 Ohm
 Type _____
 L = Termination (One Lead)
 R = Resistor (Two Leads)
 Plating _____
 W = NiSn
 X = Ni Au
 Packaging _____
 Blank = Bulk (100 pcs./bag)
 E = Tape & Reel (2,000 pcs./7 " reel)