

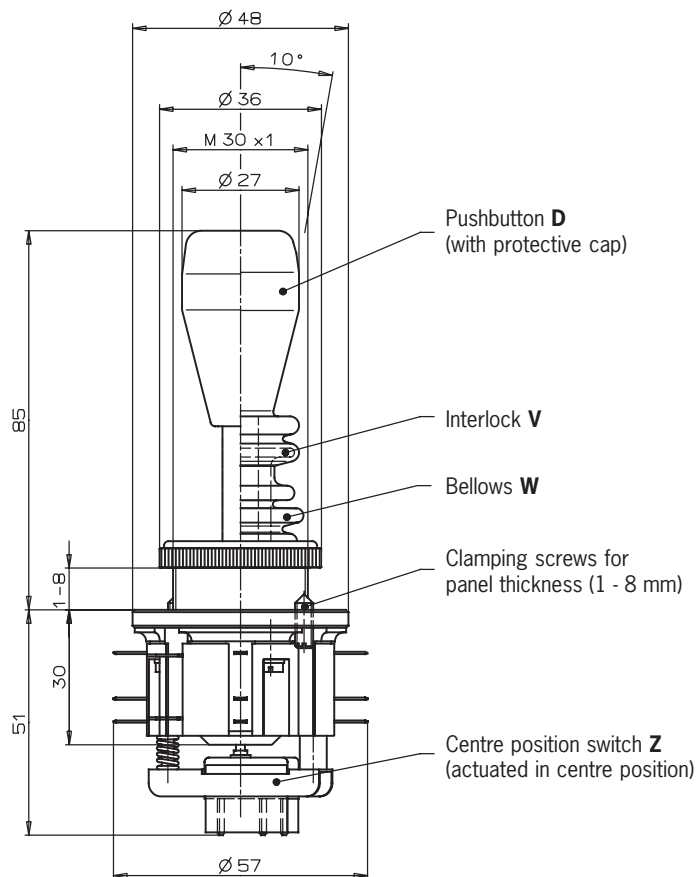
## Series WK...

Germanischer Lloyd  
Certificate no. 17 041 - 00 HH

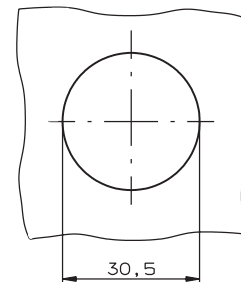


- ▶ Control panel installation to IEC 947-5-1 D30
- ▶ 1 to 8 actuating directions with spring return operation or combined
- ▶ One changeover contact with tab connector 2.8 x 0.5 IEC 760 for each actuating direction
- ▶ Centre position switch
- ▶ Pushbutton in handle

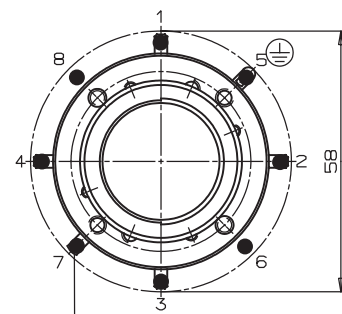
## Dimension drawing



Panel cutout



Actuating directions



Connection **D**  
(the connection is located on the underside for types with 8 directions)

## Ordering code

<b>W</b>	<b>K</b>			
----------	----------	--	--	--

Series \_\_\_\_\_

## Actuating direction and switching behavior

- Stayput switch **S** (switching lever latches in selected position)  
Spring return switch **T** (switching lever returns to centre position)

## Options

- Pushbutton **D**  
Bellows **W**  
Interlock **V**  
Centre position switch **Z**  
All-round actuation **R**

## Technical data

Parameters	Value	Unit
Housing material	glass-fibre reinforced thermoplastic / aluminum	
Switching lever material	stainless steel	
Degree of protection to IEC 529 on actuating side with / without bellows	IP65 / IP54	
Mounting method	IEC 947-5-1 D30	
Weight	approx. 0.17	kg
Mechanical life	1x10 <sup>6</sup> switching cycles	
Ambient temperature with spring return switch	-5 to +65	°C
Ambient temperature with stayput switch	-25 to +65	°C
Max. number of switching elements	8	
Connection type	tab connector 2.8 x 0.5 IEC 760	
Contact elements	changeover contact C IEC 947-5-1	
Switching principle	snap-action switch, type ES 584	
Rated insulation voltage U <sub>i</sub>	250	V
Rated impulse withstand voltage U <sub>imp</sub>	2.5	kV
Utilization category AC 15	230 V / 4 A	
Utilization category DC 13	24 V / 2 A	
Min. switching current at 24 V	12	mA
Min. switching voltage	10	V
Contact material	silver alloy, gold on request	
Short circuit protection (control circuit fuse)	slow-blow T6 / quick-blow F10	A
Max. number of actuating directions	8	
All-round actuation R (spring return switch only)	actuation of 1 switching element (vertical or horizontal) or 2 adjacent switching elements (diagonal) simultaneously, with 8 microswitches *	
Switching positions per direction	1	
Stayput switch S (latching)	according to type designation	
Spring return switch T	according to type designation	
Bellows W	Option	
Interlock V in centre position	Option	
Centre position switch Z	Option	
<b>Pushbutton D</b>	Option	
Degree of protection to IEC 529	IP65	
Electrical life	5x10 <sup>4</sup> switching cycles at 0.7 A / 250 V AC	
Switching element	1 x NO contact	
Utilization category AC 15	230 V / 2 A	
Utilization category DC 13	24 V / 1 A	
Min. switching current at 24 V	12	mA
Min. switching voltage	10	V
Actuating force	< 8	N
Actuating travel	approx. 3	mm

### Ordering examples:

Joystick switch series **WK**, actuating directions **1+3** stayput switch **S**,  
actuating directions **2+4** spring return switch **T**, Pushbutton **D**, centre position switch **Z**,  
Interlock **V** in centre position

**WK S13 T24 DZV**

Joystick switch series **WK**, 8 switching elements as spring return switches, all-round actuation **R**

**WK T1-8 R**

### Design

Joystick switch series **WK**, 4 switching elements, 2 actuating directions  
(2 switching elements per actuating direction)

**on request**

\* Diagonal actuation of 4 adjacent switching elements is on request.