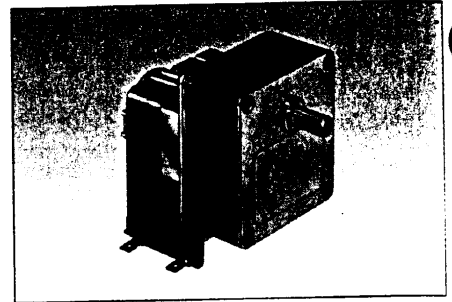


# Single-direction asynchronous geared motors

Speeds from 1 to 208 rpm  
 Output powers from 3 W to 9 W  
 Shielded bearings, lubricated for life  
 UL/CSA approved (see page 4/7)  
 IP00 degree of protection



## Applications

- Office equipment
- Mechanised advertising devices
- Medical equipment
- Automatic feeders
- Turntables

Types		80 607 0	80 627 0	80 647 0
<b>Voltage and frequency</b>		230 V 50 Hz	230 V 50 Hz	230 V 50 Hz
<b>Direction of rotation</b>		Clockwise or Anti-clockwise	Clockwise or Anti-clockwise	Clockwise or Anti-clockwise
<b>Output speeds (rpm)</b>	<b>Ratios (i)</b>	<b>Part numbers</b>		
208	12.5	•	•	•
104	25	•	•	•
83	31.25	•	•	•
62	41.66	•	•	•
41	62.5	•	•	•
31	83.33	•	•	•
21	125	•	•	•
10.4	250	•	•	•
5.2	500	•	•	•
3.5	750	•	•	•
1	2500	•	•	•

Standard gearbox shaft: see dimensions

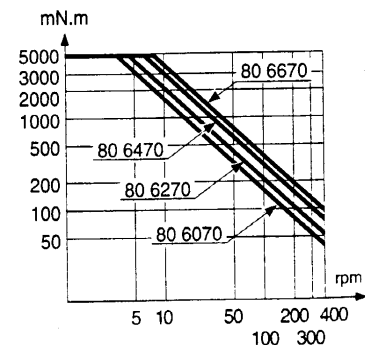
## General characteristics

		82 600 0	82 620 0	82 640 0
Motor		81 037 0	81 037 0	81 037 0
Gearbox				
Maximum permitted continuous-rated gearbox output torque over 1 million revolutions	N.m	5	5	5
Base speed of motor (with nominal load) 50 Hz	rpm	2600	2600	2600
Axial load (dynamic)	da.N	2	2	2
Radial load (dynamic)	da.N	3	3	3
Absorbed power	W	23.8	23.7	28.4
Usable motor power	W	3.1	5.2	6.5
Cos φ (power factor)		0.53	0.57	0.57
Maximum temperature rise	°C	70	70	70
Ambient temperature	°C	-5 +60	-5 +60	-5 +60
Weight (approximate)	g	840	1020	1300

## Options : With catalogue products available to order

Voltages / Frequencies	24-115-240V - 50Hz	•	•	•
	24-115V - 60Hz	•	•	•
Coil with flying leads (length 250 mm)		•	•	•
8 mm Ø round shaft (79 206 478)		•	•	•

## Torque /Speed curves



## Motors :

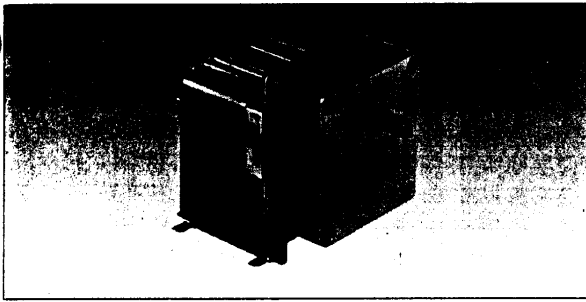
- other voltages and frequencies
- lead length
- oversized winding (see page 4/5)
- for vertical operation (see page 4/24)
- cooling fan (see page 4/27)
- coil supplied with thermal cut-out to suit duty factor 100 °C, 120 °C or 130 °C.
- position of motor relative to gearbox (see page 4/19)
- UL/CSA approved products
- rear shaft extension
- brake (see page 4/25)

## Gearboxes :

- other output speeds
- other output shafts
- output shaft carried in rolling-element bearings

## Other information

Basic principles see page 4/4  
 Insulation class IEC 85 : A  
 Speed rises by 20 % for a change in supply frequency from 50 Hz to 60 Hz.



80 667 0      80 667 0

230 V      230 V  
50 Hz      50 Hz

Anti-clockwise      Clockwise

80 667 001	80 667 002		
80 667 004	80 667 003		
80 667 006	80 667 005		
80 667 008	80 667 007		
80 667 009	80 667 010		
80 667 011	80 667 012		
80 667 014	80 667 013		
	80 667 015		
	80 667 017		

82 660 0	82 660 0		
81 037 0	81 037 0		
5	5		
2600	2600		
2	2		
3	3		
32	32		
9.5	9.5		
0.57	0.57		
70	70		
-5 +60	-5 +60		
1620	1620		

•	•		
•	•		
•	•		

**1**

**2**

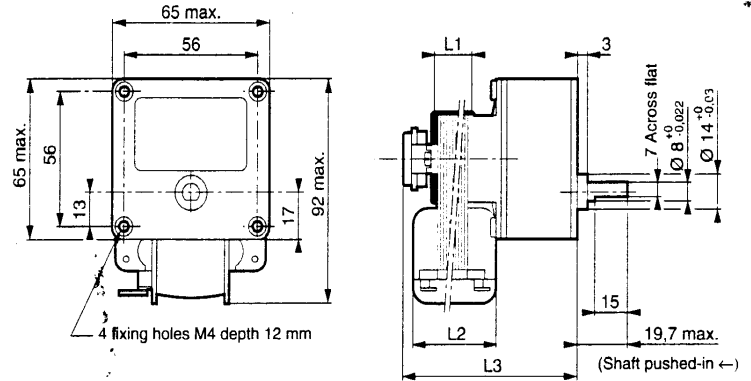
**3**

**4**

**5**

**Dimensions**

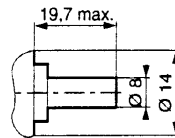
80 607 0 - 80 627 0 - 80 647 0 - 80 667 0



Types	L1(mm)	L2(mm)	L3 (mm)
80 607 0	14	35	77
80 627 0	20	42.6	83
80 647 0	30	52.6	93
80 667 0	40	62.6	103

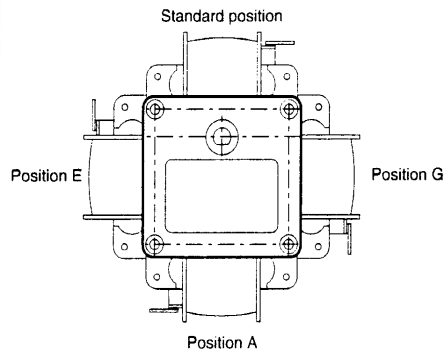
**Product available to order : gearbox output shaft**  
**Shaft : 79 206 478**

(Shaft pushed-in ←)



**NB :**

On request the motor can be fixed at 90° to the options indicated.



**4**

**To order specify**

Standard products

**4** Part number

Example : Single - direction asynchronous geared motor - 80 667 038

Standard products, non stocked

**1** Type

**2** Voltage and frequency

**3** Direction of rotation

**4** Output speed

**5** Option

Example : Single - direction asynchronous geared motor - 80 607 0 - 240 V - 50 Hz - CW - 208 rpm - Shaft 79 206 478